

HIDEOUT BED CANOPY KING SINGLE EXPEDITION

24127110

Thank you for purchasing the **Hideout Bed Canopy King Single Expedition**. Before you begin to assemble your new piece of furniture, please check to ensure that all hardware and parts have been supplied. This page lists all contents included in the carton(s).

Follow instructions closely as deviation from them may present a possible safety risk and may void your warranty.

It is recommended that assembly is done on a soft surface such as carpet to avoid any damage.

If you experience any problems with your new purchase, please contact Customer Service via the website www.freedom.com.au or www.freedomfurniture.co.nz

Care Information

DO

Vacuum regularly with a soft upholstery attachment. Dirt combined with body moisture can produce a grime discolouration to the fabric. Vacuuming will also remove grit that can also wear away the fabric.

Follow the upholstery care instructions label attached to the cover

Use a professional dry cleaning service at least once a year to keep the fabric looking good. Leave any removable covers on during cleaning to minimise shrinking.

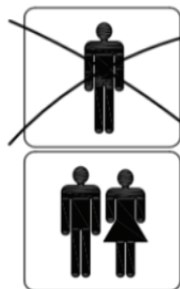
Temporary pilling can happen with some fabrics. This isn't considered a fault and can be removed using a de-pilling machine.

DON'T

Don't place the fabric in direct sunlight or near heaters as they can fade and damage the fabric. Use curtains and blinds to protect your furniture from direct sunlight through windows. Don't pull loose threads, cut them instead.

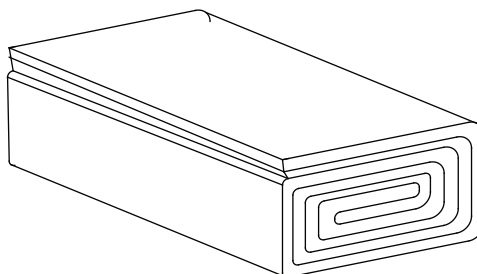
Hardware (Supplied)

Tools Required (Not Supplied)



**Adult
Assembly
Require**

Parts

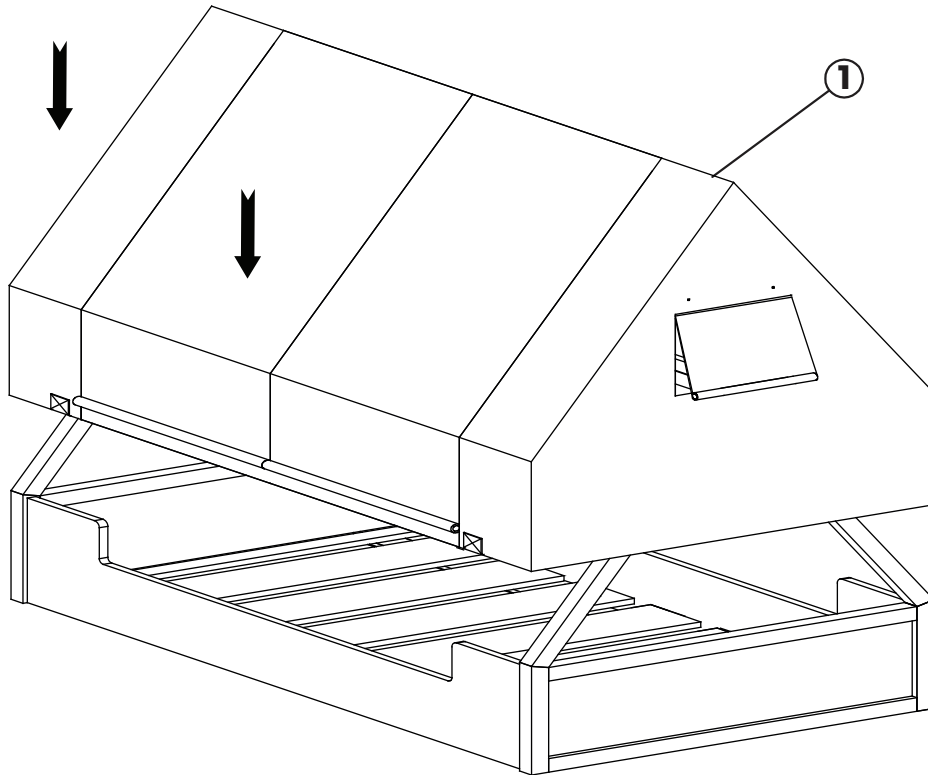


① x 2

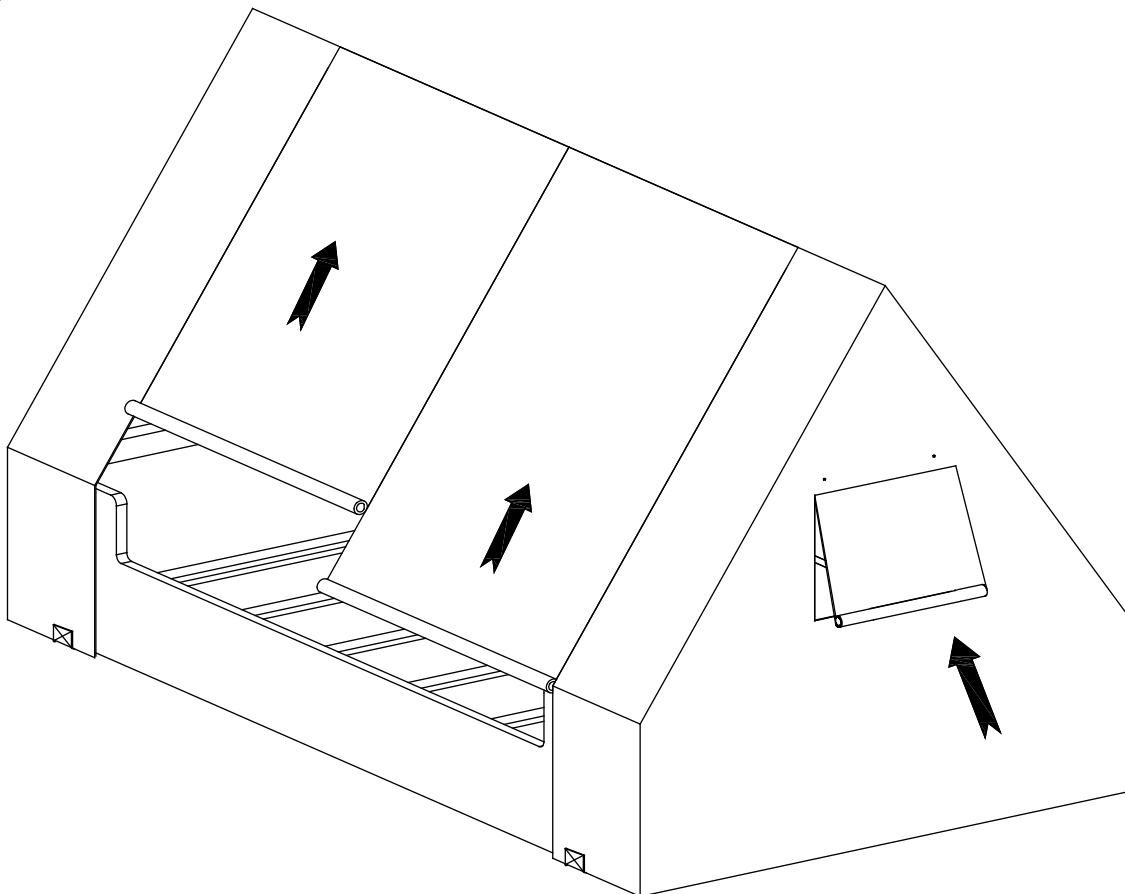
HIDEOUT BED CANOPY KING SINGLE EXPEDITION

24127110

Step 1.



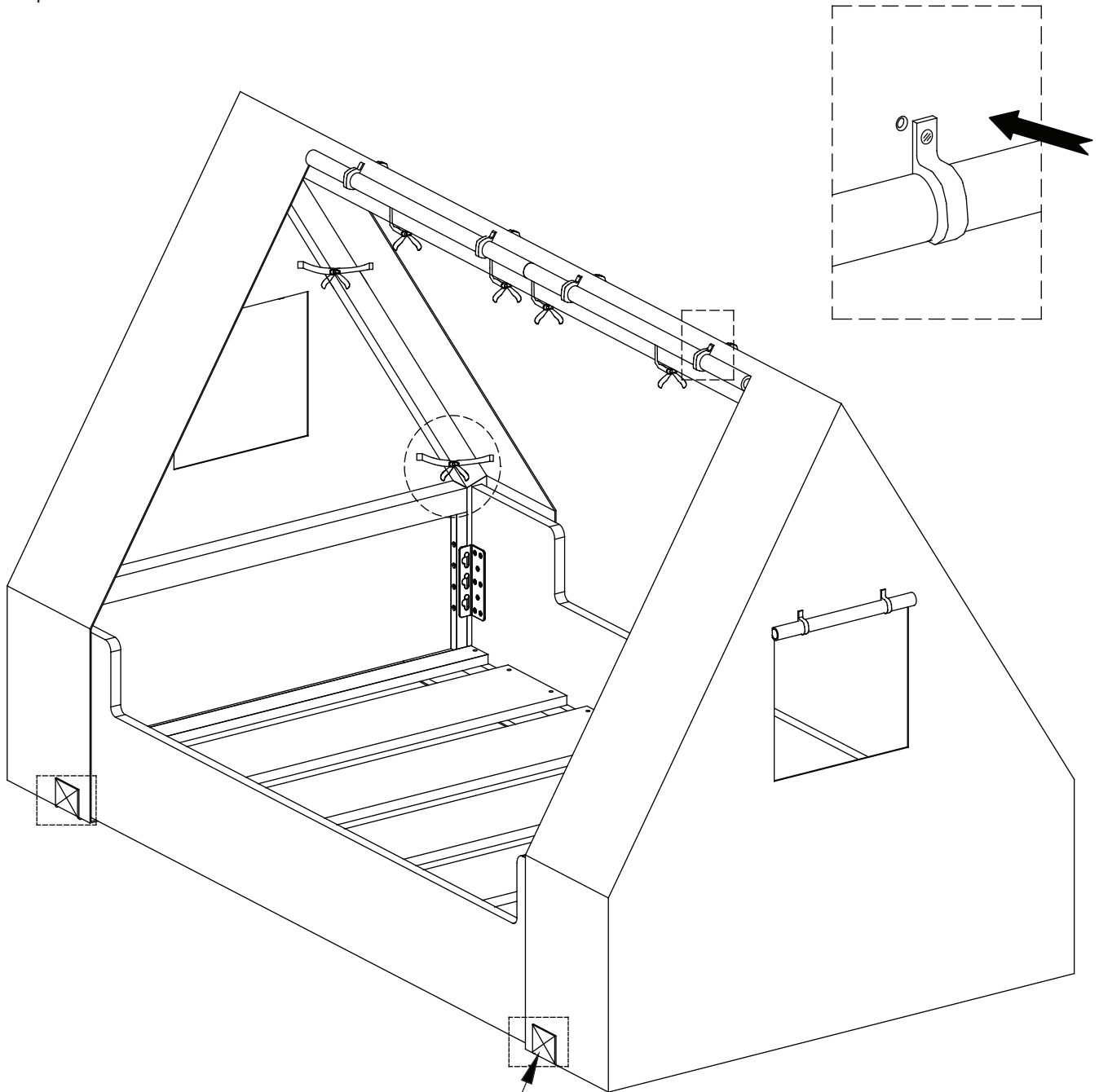
Step 2.



HIDEOUT BED CANOPY KING SINGLE EXPEDITION

24127110

Step 3.



Velco

