

BURROW QUEEN / KING BED / NZ KING BED

24246781/24246804/24500135/24246767/24246798/24500128
24311571/24311595/24500173

Thank you for purchasing the **Burrow Queen/King/NZ King Bed**. Before you begin to assemble your new piece of furniture, please check to ensure that all hardware and parts have been supplied. This page lists all contents included in the carton(s).

Follow instructions closely as deviation from them may present a possible safety risk and may void your warranty.

It is recommended that assembly is done on a soft surface such as carpet to avoid any damage. If you experience any problems with your new purchase, please contact Customer Service via the website www.freedom.com.au or www.freedomfurniture.co.nz

Care Information

Fabric

- Periodically check and re-tighten any fasteners. Avoid direct sunlight. Treat spills and stains as soon as they occur. Gently scrape any soil or mop any liquid from the surface of the fabric, apply proprietary cleaning agents strictly according to instructions to remove the residue of the spill.
- Do not saturate the fabric or interior with water or other cleaning liquids. May be spot cleaned with dry cleaning solvent. Pilling can occur occasionally as a result of normal daily wear and should not be considered as a fault. Fiber pills can be removed by a battery operated pilling tool available from most haberdashery stores.

Timber

- Use tablecloths, table runners and coasters to help protect surfaces from scratching. Certain ranges have a more raw appearance to accentuate their beauty and require extra care.
- These include white-wash finishes. Treat spills quickly with a damp cloth. Dust once a week using a soft cloth or similar duster. Use felt pads on the base of vases or similar items to avoid scratching.
- Be aware that certain materials such as rubber leg glides on electronic devices and vinyl can react with timber and mark it. Periodically check and re-tighten any fasteners.
- Although we test our finishes for resistance to heat and stains you should always avoid placing hot or wet items directly on the surface as they can leave marks which are difficult to remove.
- Where joints or veneers meet, it can cause swelling or splitting. Avoid direct sunlight, as this will cause color change. If the furniture is in direct sunlight, move items like vases around to avoid spotting. Don't place potted plants on timber or veneers unless it is water tight or in a tray.
- Avoid supermarket polishes and waxes as many contain high levels of silicon and petroleum distillate which can damage the surface. Timber designed for indoor use should not be left outside. Its finish is not designed for use outdoors.

Hardware (Supplied)



M8x25mm

(A)x10



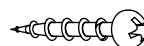
M8xØ14mm

(B)x6



M8xØ20mm

(C)x6



4x30mm

(D)x27

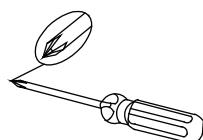


(E)x 1



Tools Required

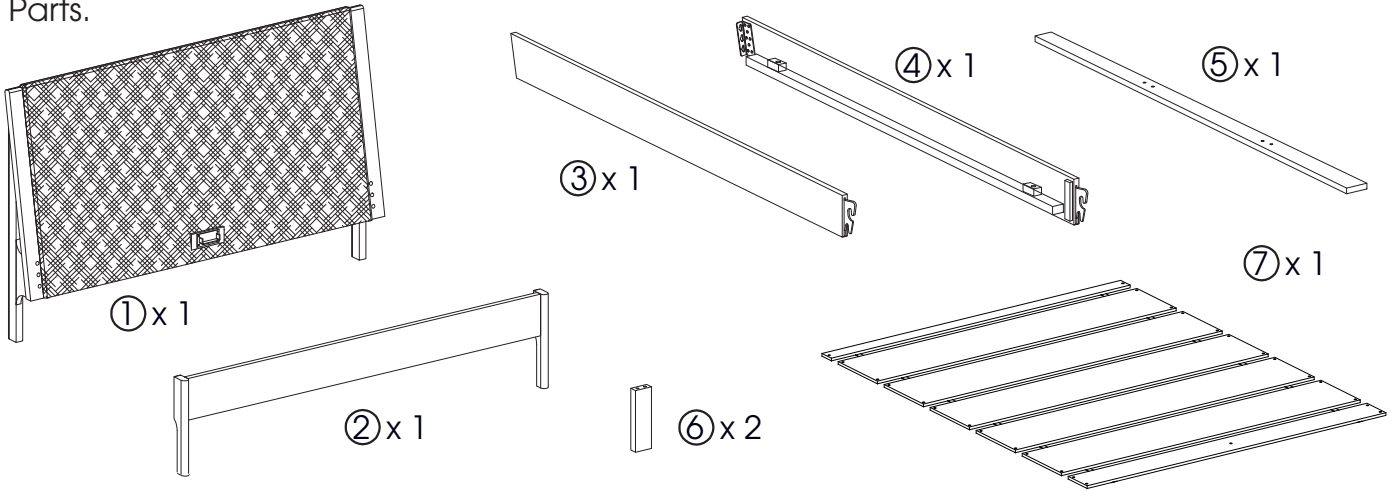
(Not supplied)



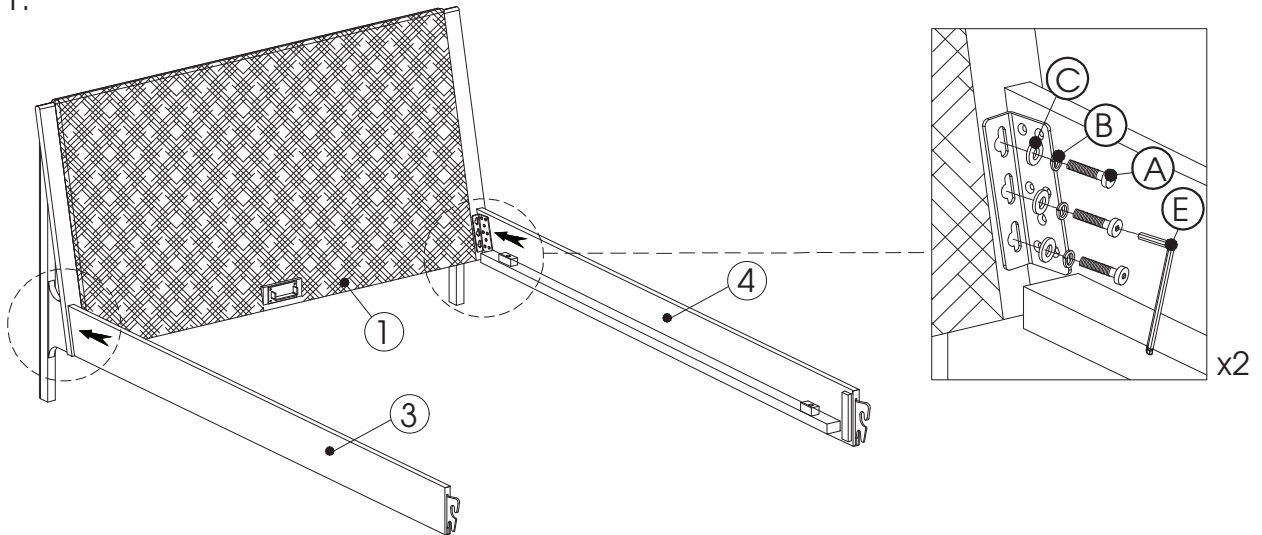
BURROW QUEEN / KING BED / NZ KING BED

24246781/24246804/24500135/24246767/24246798/24500128
24311571/24311595/24500173

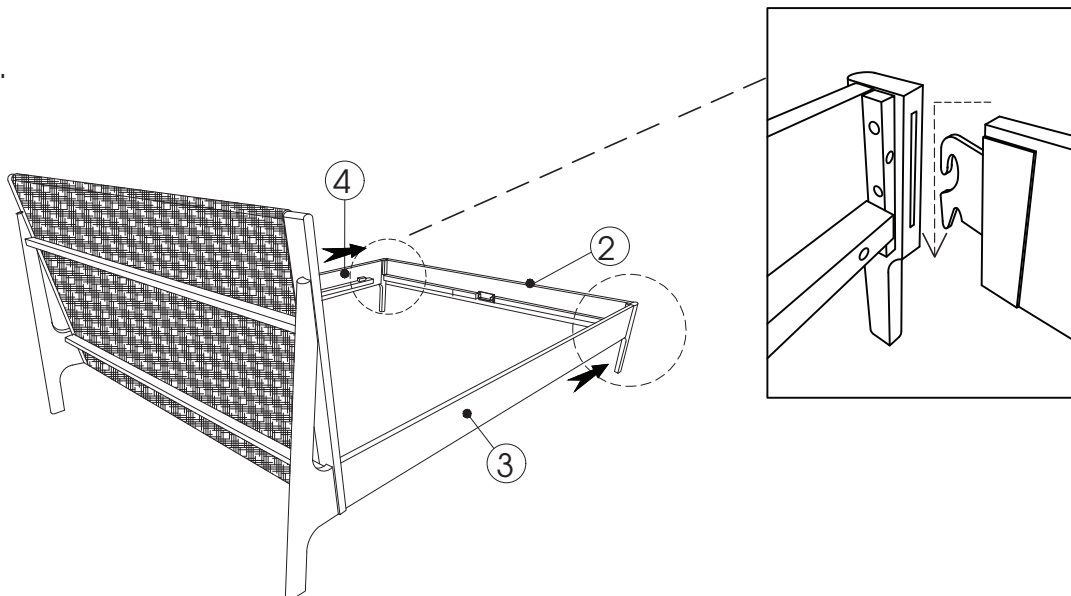
Parts.



Step 1.



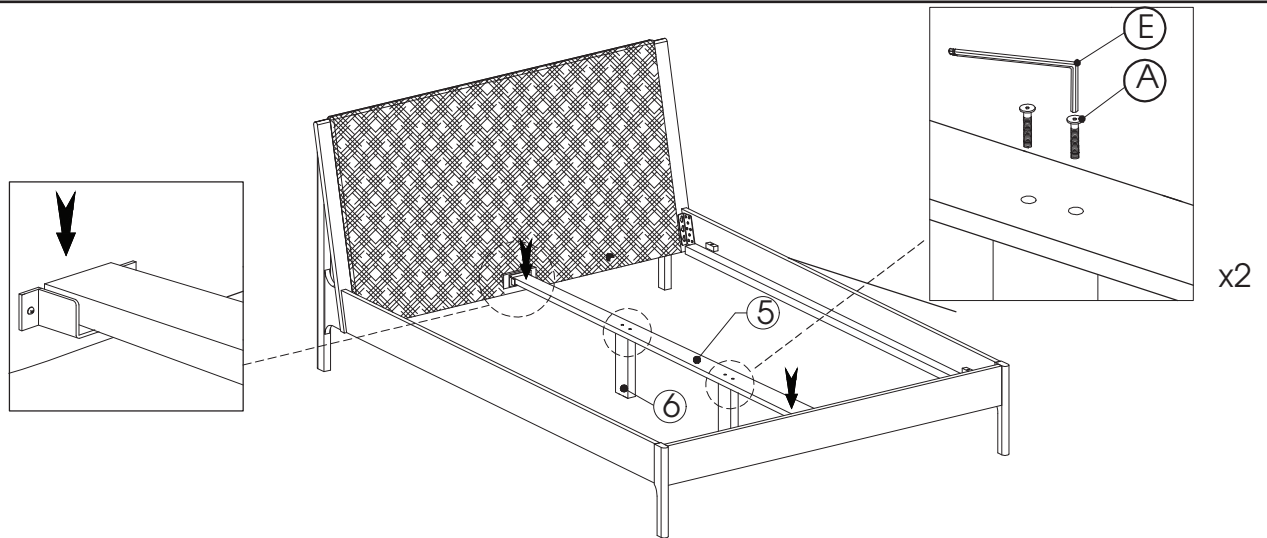
Step 2.



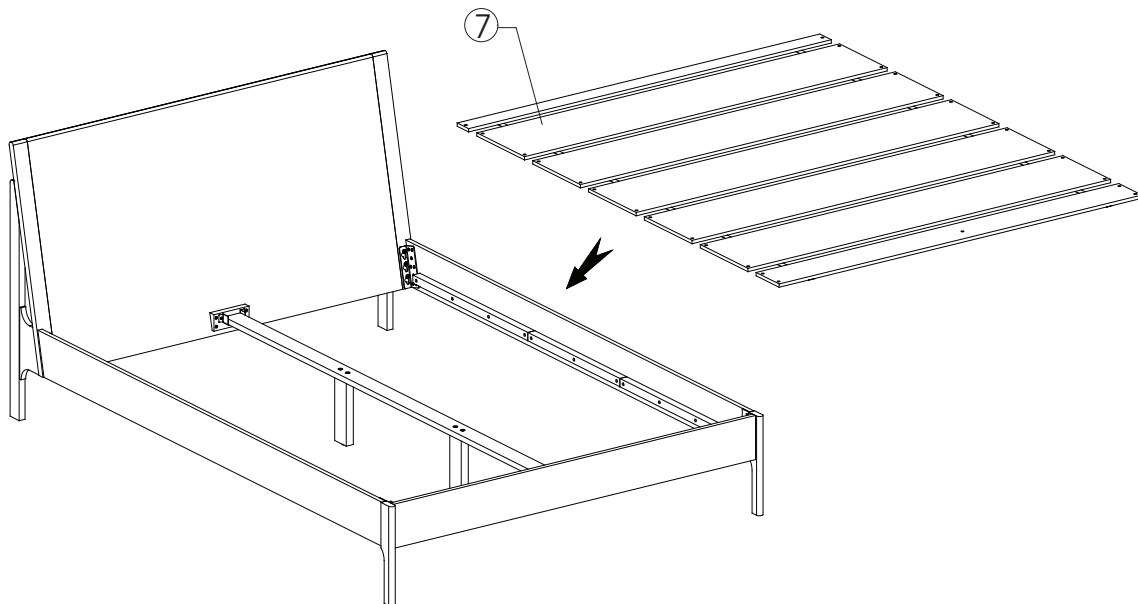
BURROW QUEEN / KING BED / NZ KING BED

24246781/24246804/24500135/24246767/24246798/24500128
24311571/24311595/24500173

Step 3.



Step 4.



Step 5.

