

# Camden Dining Table

## Assembly Instructions

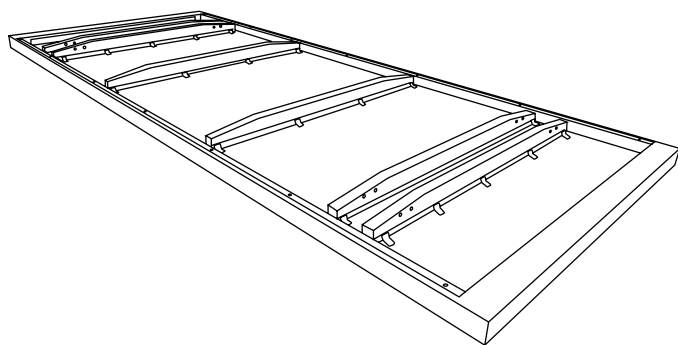
# FREEDOM

Thank you for purchasing the Australian designed and made Camden Dining Table. Before you begin to assemble your new piece of furniture, please follow the below instructions on how to prepare your dining table so it looks the part.

If you experience any problems with your new purchase, please contact Freedom Customer Service via [livechat@freedom.com.au](mailto:livechat@freedom.com.au)

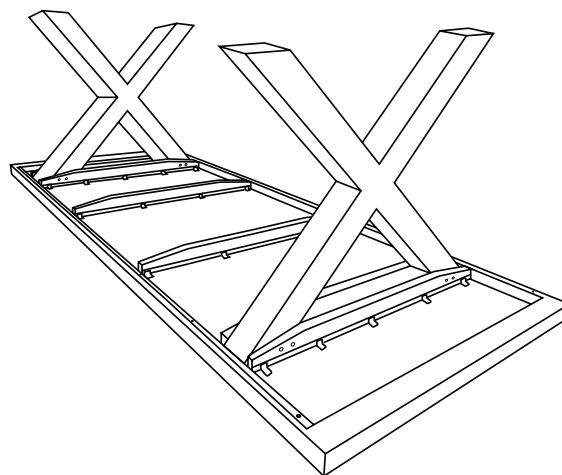
### Step 1

Leave table upside down in box for leg assembly.



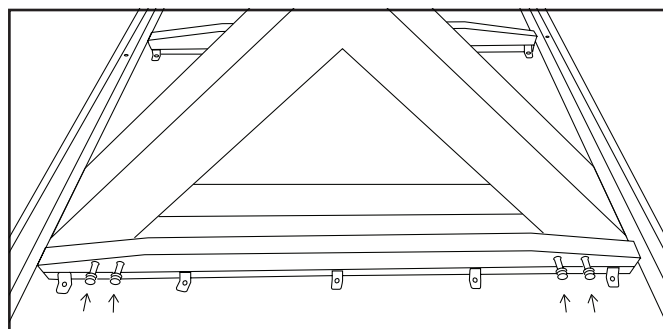
### Step 2

Place legs between rails lining up bolt holes.



### Step 3

Using the Allen keys provided, tighten bolts to legs.  
DO NOT OVER TIGHTEN.



**TAKE CARE WHEN  
HANDLING!**  
Requires 2-4 people  
for assembly.