

Kew Coffee Table
24423014/24588416



This assembly requires two persons.

Thank you for purchasing Kew Coffee Table. Before you begin to assemble your new piece of furniture, please check to ensure that all hardware and parts have been supplied. This page lists all contents included in the carton(s).

Follow instructions closely as deviation from them may present a possible safety risk and may void your warranty.

It is recommended that assembly is done on a soft surface such as carpet to avoid any damage.

If you experience any problems with your new purchase, please contact Freedom Customer Service via livechat@freedom.com.au (Australia) or 0800 469 327 (New Zealand).

Care Information

MDF

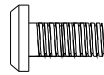
Avoid direct sunlight as it may cause the product to change colour. Dust the surfaces by using soft and clean cloth. Avoid using harsh abrasives, chemicals or polishes. It is important to remove moist substances immediately.

Periodically check and re-tighten all fasteners. Always lift furniture, never drag it.

Hardware (Supplied)



m6*35mm
Part A x 12



m6*12mm
Part B x 8

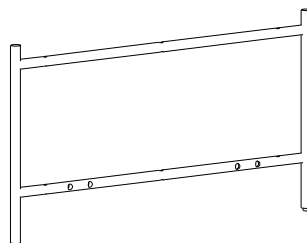


4mm
Part C x 1

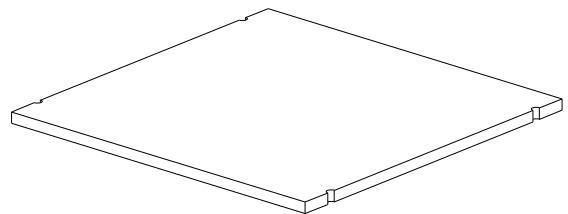
Parts



①x2

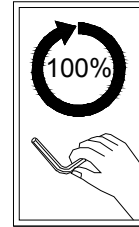


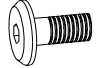

②x2



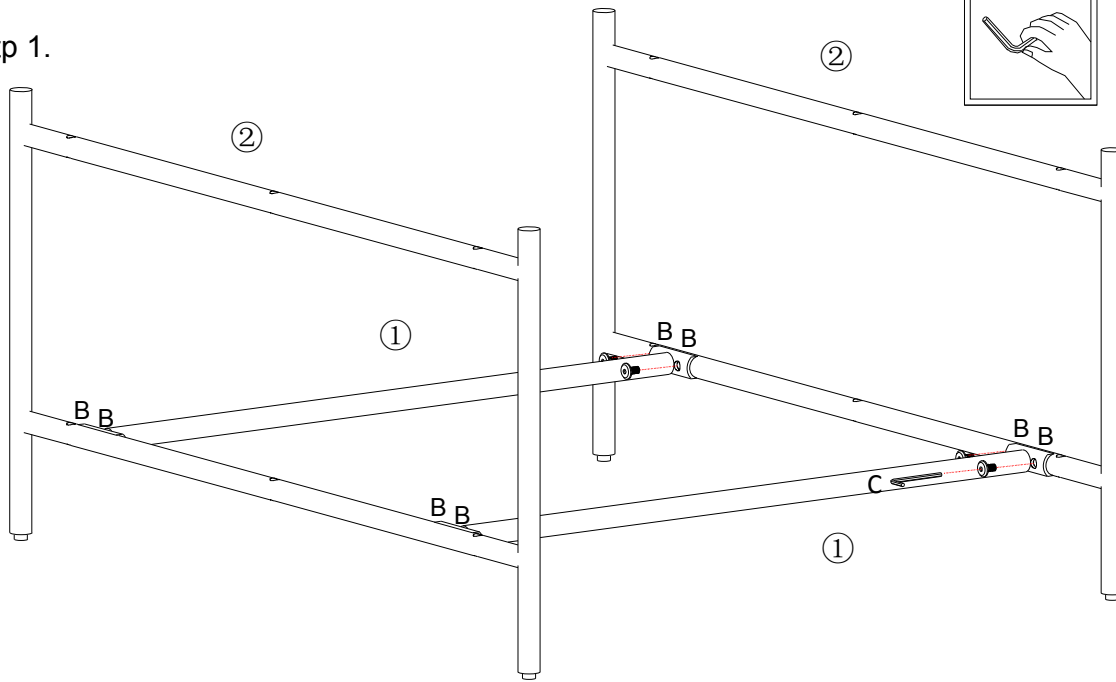
③x2

Kew Coffee Table
24423014/24588416

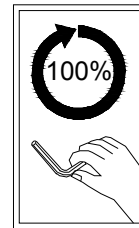


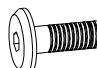

- Bx8

- M6*12mm
- Cx1

- 4mm

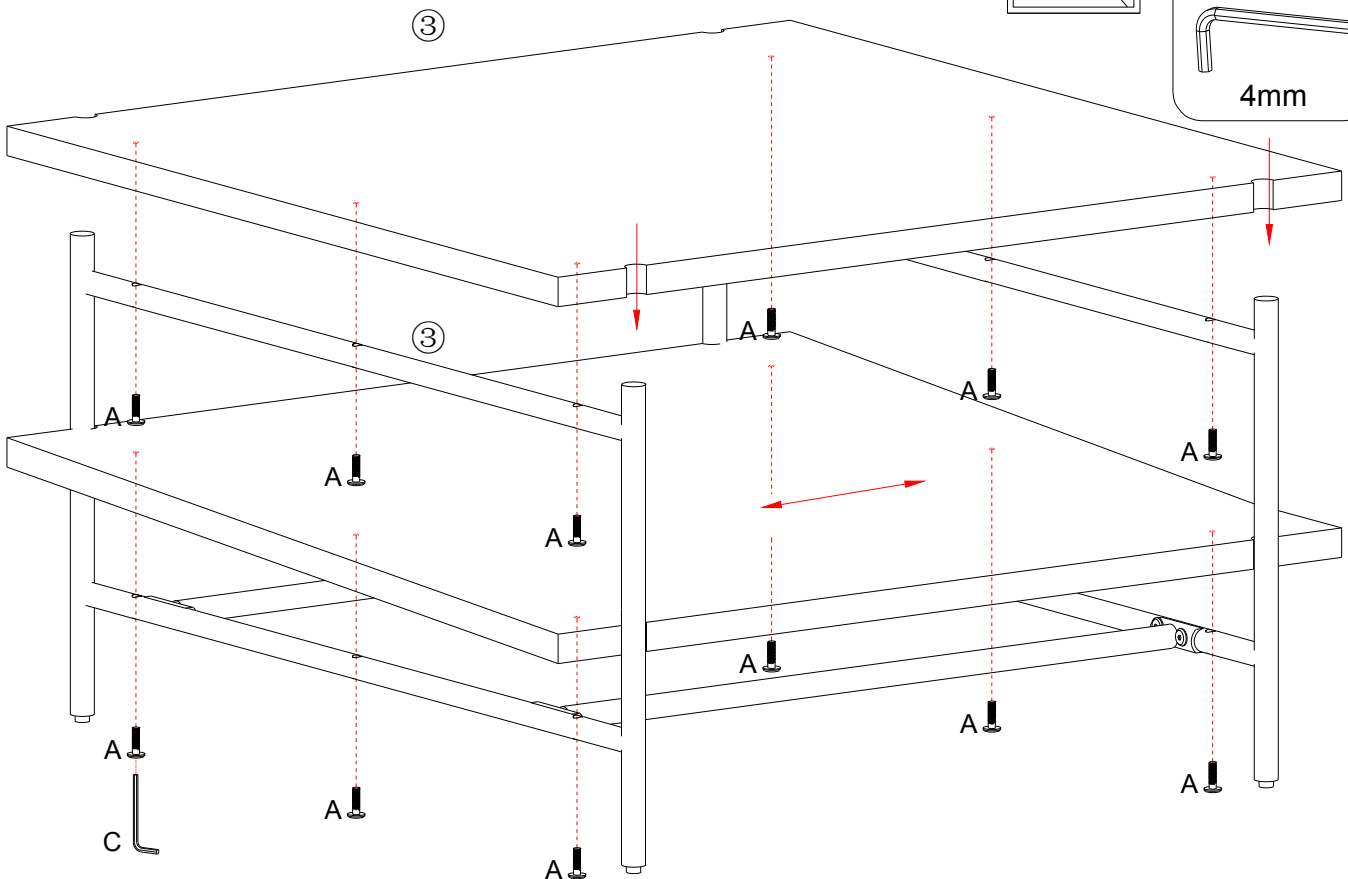
Step 1.



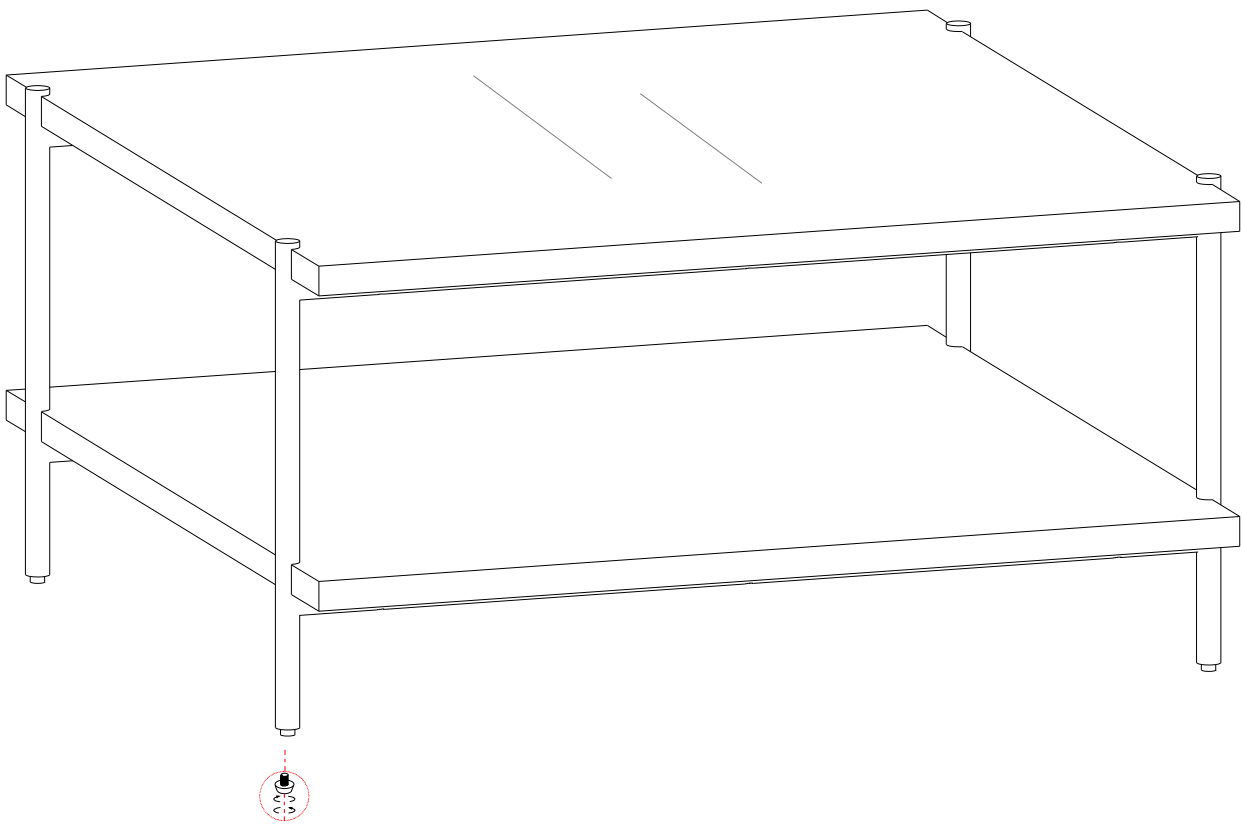
Step 2.



- Ax12

- M6*35mm
- Cx1

- 4mm



Kew Coffee Table
24423014/24588416



Stand the table upright, you can adjust
the gliders if needed for stability.