

# MOSMAN SIDE TABLE

## 24595568

Thank you for purchasing the MOSMAN Side Table. Before you begin to assemble your new piece of furniture, please check to ensure that all hardware and parts have been supplied. This page lists all contents included in the carton(s).

Follow instructions closely as deviation from them may present a possible safety risk and may void your warranty.

It is recommended that assembly is done on a soft surface such as carpet to avoid any damage.

If you experience any problems with your new purchase, please contact Freedom Customer Service via [www.freedom.com.au](http://www.freedom.com.au) (Australia) or [www.freedomfurniture.co.nz](http://www.freedomfurniture.co.nz) (New Zealand).

### Care Information

#### DO

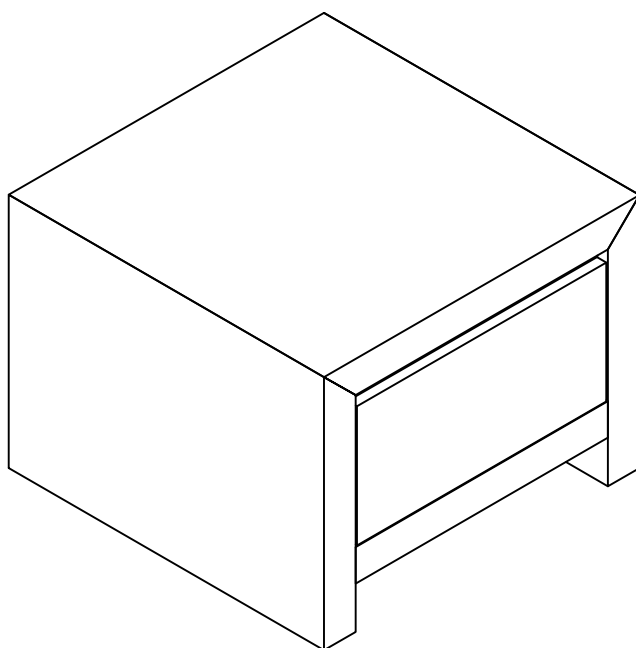
- Use tablecloths, table runners and coasters to help protect surfaces from scratching.
- Dust once a week using a soft cloth or similar duster.
- Only use freedom recommended care products as many supermarket polishes and waxes contain high levels of silicon and petroleum distillate which can damage the surface.
- Polish your furniture every 3 to 6 months, making sure the surface is free from dust before you start.

#### DON'T

- Do not place hot or wet items directly on the surface as they can leave marks which are difficult to remove.
- Avoid direct sunlight, as this will cause colour change. If the furniture is in direct sunlight, move items like vases around to avoid spotting.
- Do not apply too much polish as this will build up and need to be removed with a wood-cleaning product

#### GENERAL

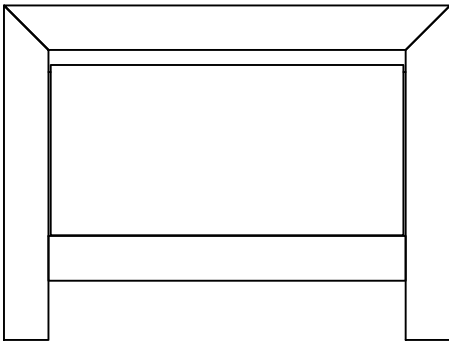
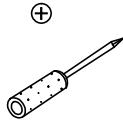
Periodically check and re-tighten all fasteners. When moving furniture always lift it rather than drag it.



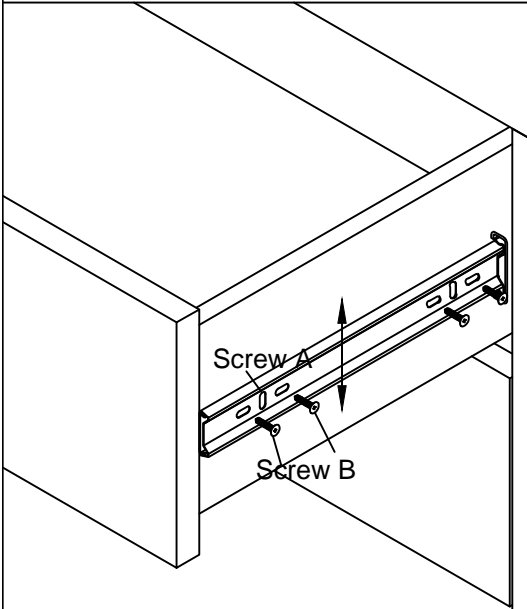
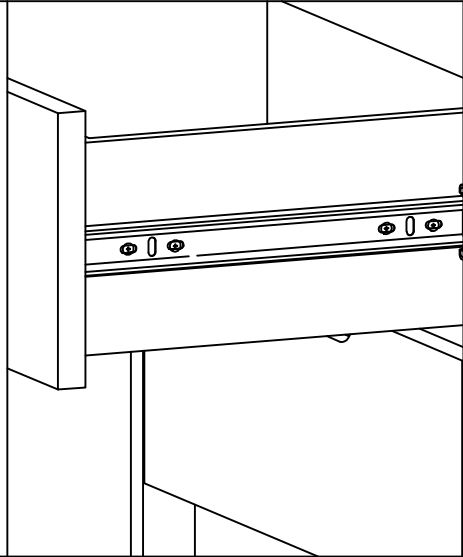
# Assembly Instructions

## Drawer Adjustment

Tools Required (Not Supplied)



Example of misaligned drawer.  
Drawer will not be flush with the  
side panel.



How to Correct?

1. Fully extend drawer that needs re-aligning.
2. Loosen Screw A but do not remove.
3. Remove Screw B.
4. Adjust the drawer up or down as required.
5. Screw in Screw B with a new hole
6. Tighten Screw A