

Marloe Wall Mirror

24597333

Thank you for purchasing the Marloe wall mirror. Before you begin to assemble the wall mirror, please check to ensure that all hardware and parts have been supplied. This page lists all contents included in the carton(s).

Follow instructions closely as deviation from them may present a possible safety risk and may void your warranty.

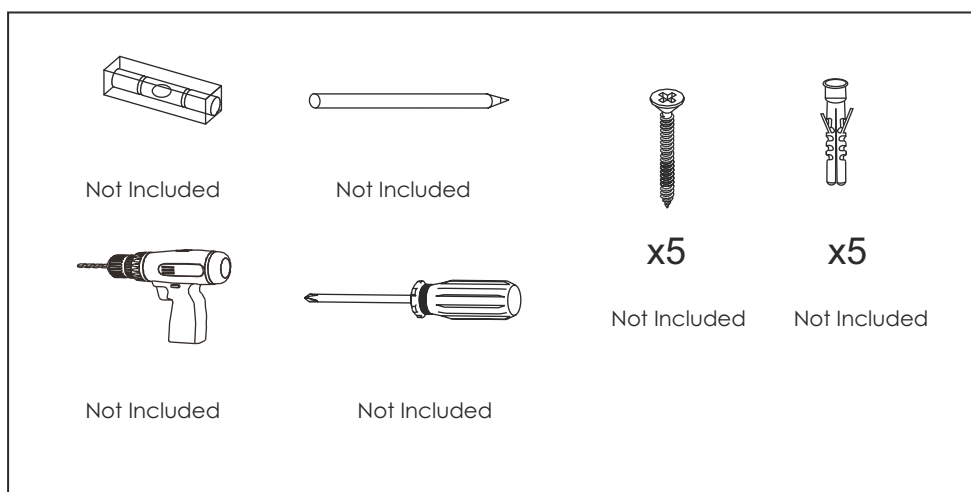
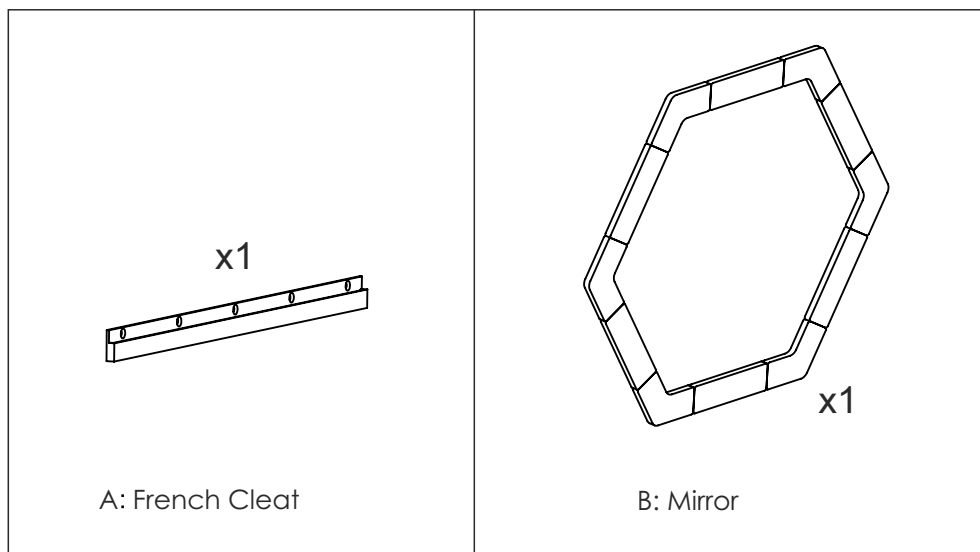
It is recommended that assembly is done on a soft surface such as carpet to avoid any damage.

If you experience any problems with your new purchase, please contact Freedom customer service via www.freedom.com.au (Australia) or www.freedomfurniture.co.nz (New Zealand)

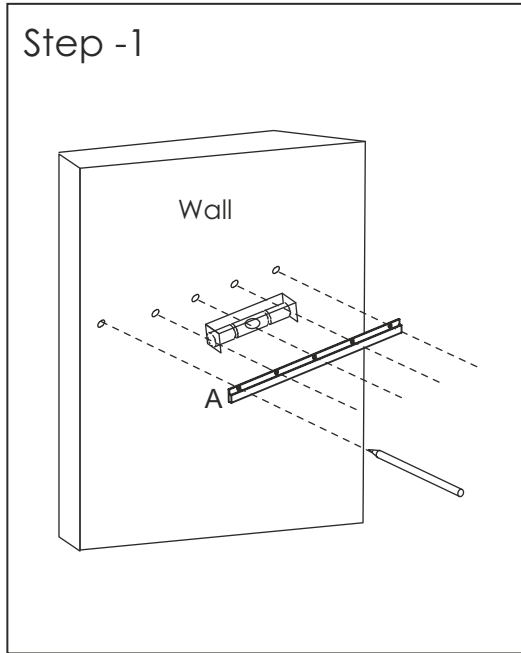
! Do not throw away any of the packaging materials until the assembly is complete.

! To protect the finish, assemble this item on a soft surface, such as cardboard or carpet.

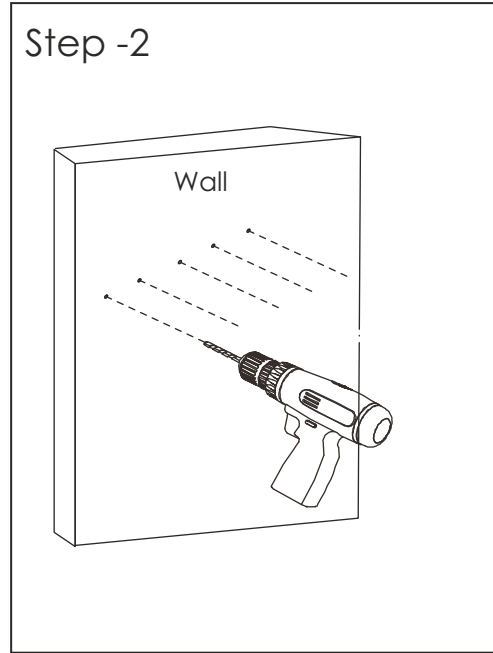
! Proper assembly of this item requires 2 people.



Step -1

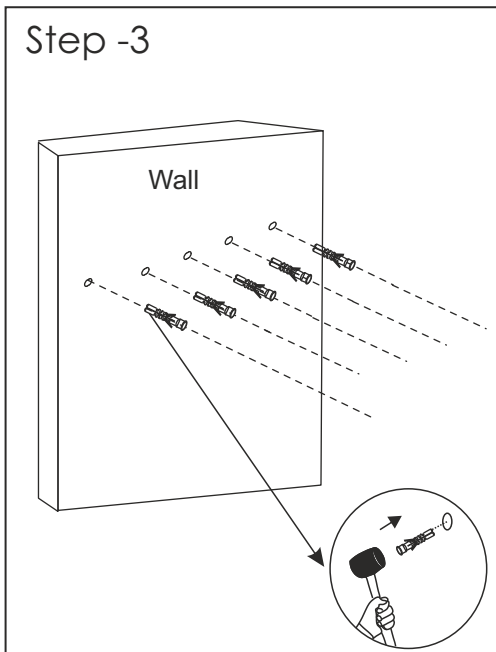


Step -2

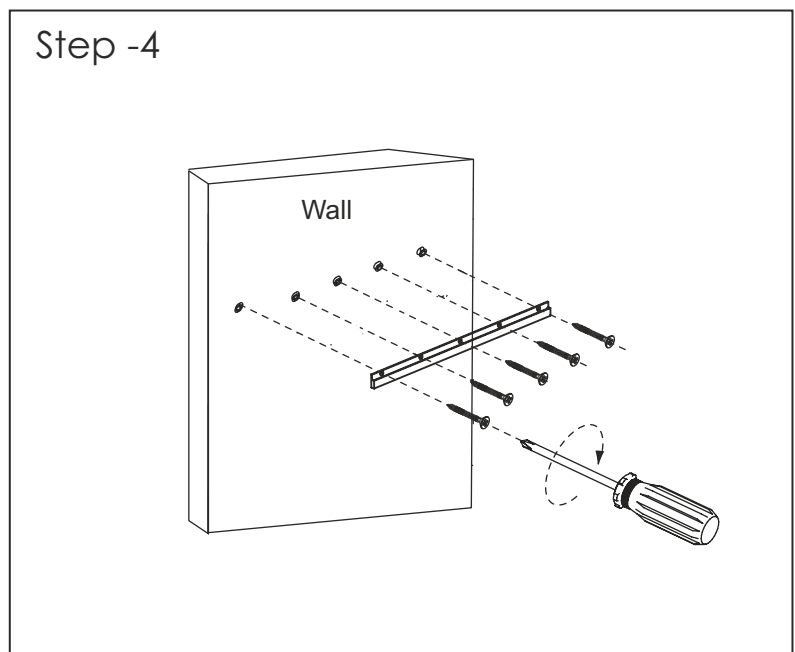


- Step 1.** Pencil mark holes on the wall to match the cleat (use a water leveler to ensure a straight line)
Step 2. Drill holes into the wall for the wall anchors. It is essential to use wall anchors that are appropriate for your wall type (plaster, drywall, concrete etc).

Step -3

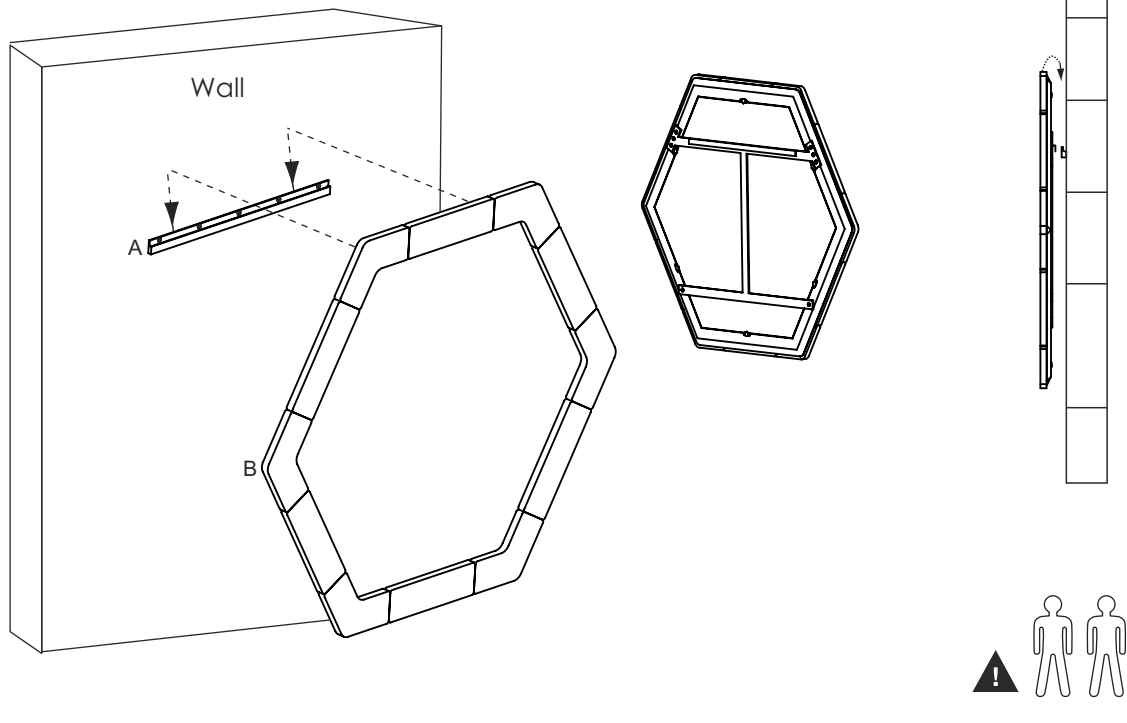


Step -4



- Step 3.** Fixing/Inserting anchors into the wall.
Step 4. Fixing the cleat slat.

Step -5



Step 5. Fixing the Mirror onto the wall.

CARE INSTRUCTIONS:

Periodically check that all connections are tight. Wipe with a soft, dry cloth. To protect the finish, avoid the use of chemicals and household cleaners.

IMPORTANT INFORMATION

Always hold the mirror on two sides with both hands.

CAUTION:

For your safety when attaching the wall mounting hardware (French Cleat), check for any electrical wires or plumbing inside the wall before drilling any holes if you are unsure please seek professional advice from a qualified tradesman.

Walls are constructed from different materials eg: Masonry(solid brick) or plaster board lined cavity walls(hollow).

It is important that you use the appropriate wall fixings for your wall type.

Your local hardware store will have the necessary drills and fixings and can offer advice if needed.