

MANLY ARMLESS 1S - NATURAL

24413114

Remove cushions
when not in use



Thank you for purchasing the **Manly Armless 1S - Natural**. Before you begin to assemble your new piece of furniture, please check to ensure that all hardware and parts have been supplied. This page lists all contents included in the carton(s).

Follow instructions closely as deviation from them may present a possible safety risk and may void your warranty.

It is recommended that assembly is done on a soft surface such as carpet to avoid any damage.

If you experience any problems with your new purchase, please contact Customer Service via the website www.freedom.com.au or www.freedomfurniture.co.nz.

Care Information

This product is suitable for Full Outdoor Use - Remove Cushion When Not In Use

This refers to sofas and pieces where the furniture can be kept outdoors. Take care to remove cushions and store inside or in a dry area when not in use. Please read the care label for more information.

Timber care

To prolong lifetime store in a dry location when not in use or during periods of inclement weather. Expansion and contraction of timbers will occur with changes in humidity and temperature. This can cause timber to split which is natural and not considered a fault.

Over time, all wooden furniture will naturally change to a grey colour when left exposed to the elements. This will accelerate when the timber is not oiled or cleaned

We recommend using Freedom Timber Outdoor Protection Kit. It has been formulated in Australia to help nourish and protect your timber from UV, wind and rain damage when used as directed.

How to use the Outdoor Protection Kit.

It is recommended the following care is performed annually or after every cleaning to maintain protection.

- Remove any cushions
- Using a dust pan brush, remove any excess dirt or dust from the surface of the outdoor timber
 - Slightly dampen the microfiber cloth supplied with clean water and clean timber furniture thoroughly, ensuring no dirt or grime is left on surface. All surface to dry.
 - Protect nearby surfaces for accidental overspray (wipe any up immediately).
 - Test by lightly spraying a hidden area. Let dry. Avoid use if you detected any undesirable change in appearance.
 - Spray the Wood Defence 25-30cm from wood, using a slow, back-and-forth motion. Overlap to cover uniformly, do not saturate. Let dry for about 1 hour, then reapply. Two light coats are more effective than one heavy coat.
- Wash cloth with clean water and dry

MANLY ARMLESS 1S - NATURAL

24413114

Hardware (Supplied)



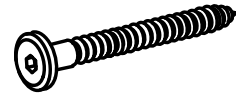
Part A x 2
(M6 x 20)



Part B x 2
(M6 x 35)



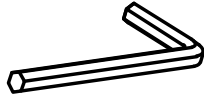
Part C x 2
(M6 x 60)



Part D x 4
(M7 x 80)



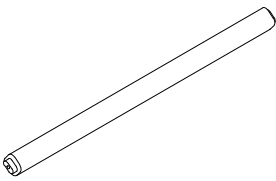
Part E x 2
(Ø6)



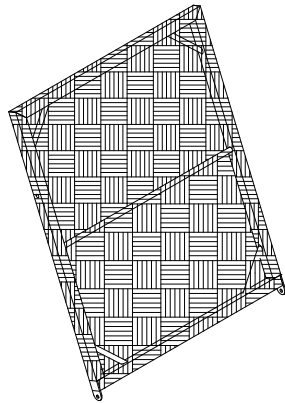
Part F x 1
(M4)

Tools Required (Not Supplied)

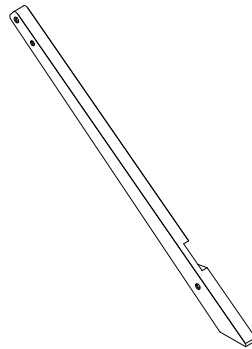
Parts



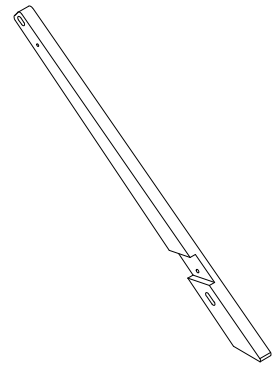
Part (G) x 1



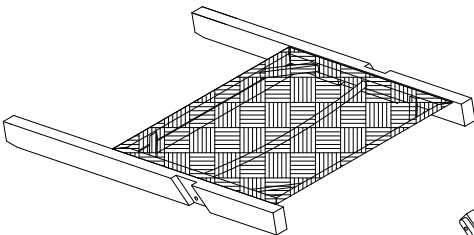
Part (H) x 1



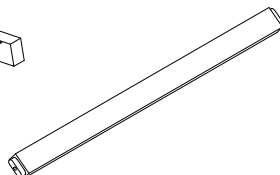
Part (I) x 1



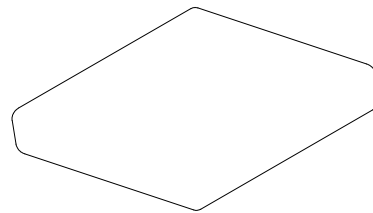
Part (J) x 1



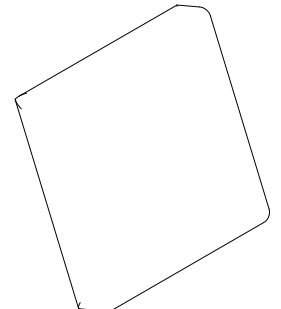
Part (K) x 1



Part (L) x 1



Part (M) x 1

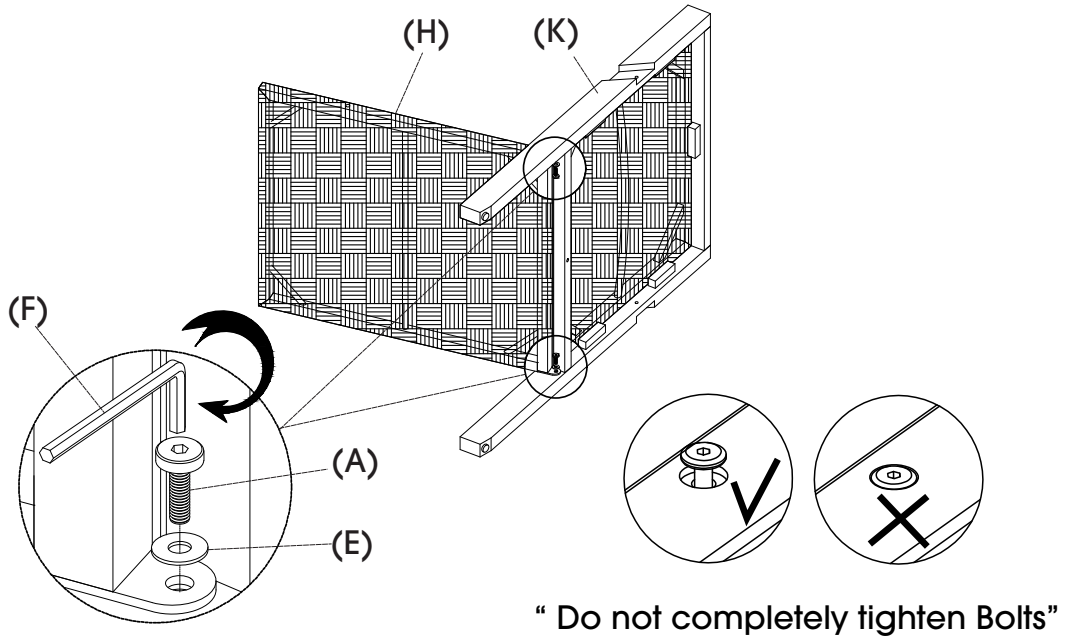


Part (N) x 1

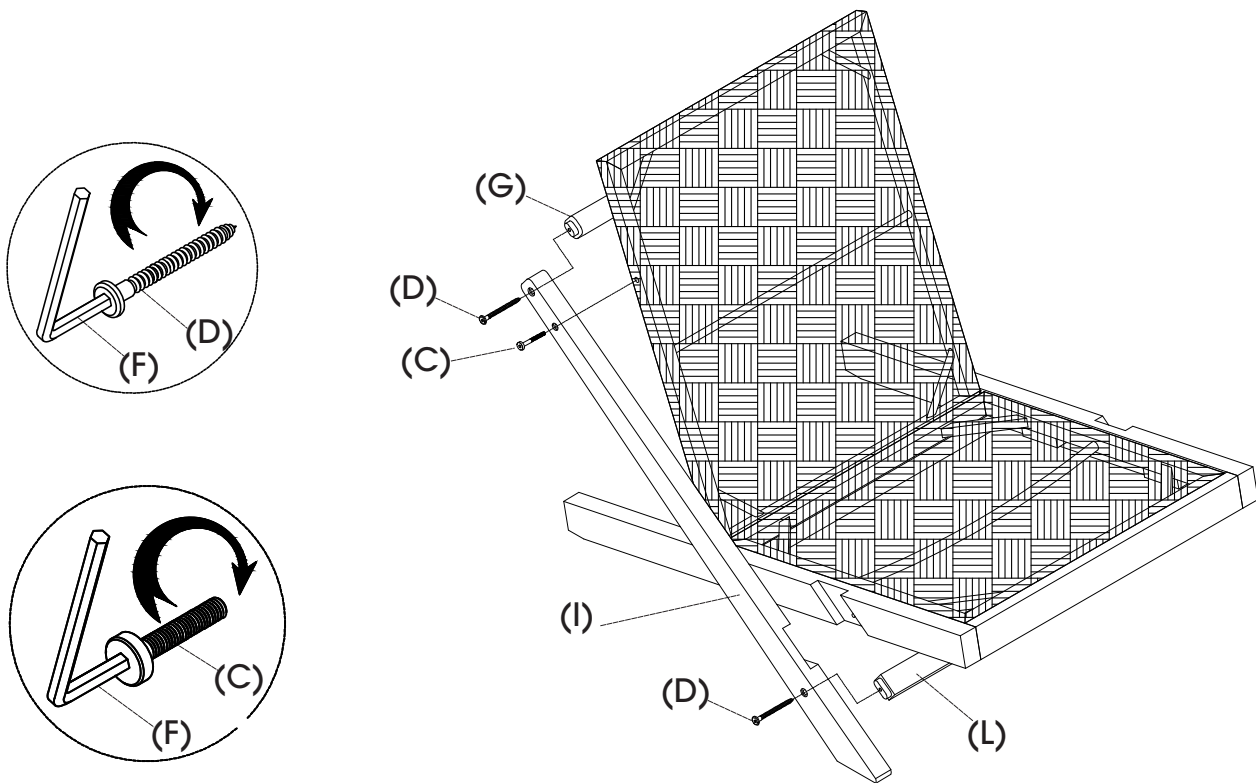
MANLY ARMLESS 1S - NATURAL

24413114

STEP 1.



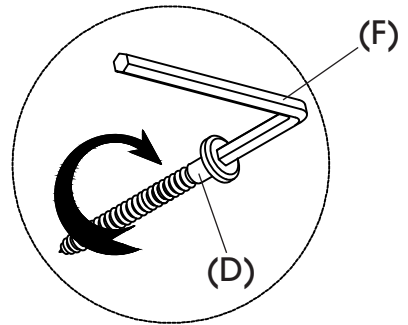
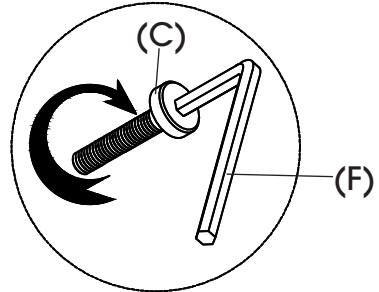
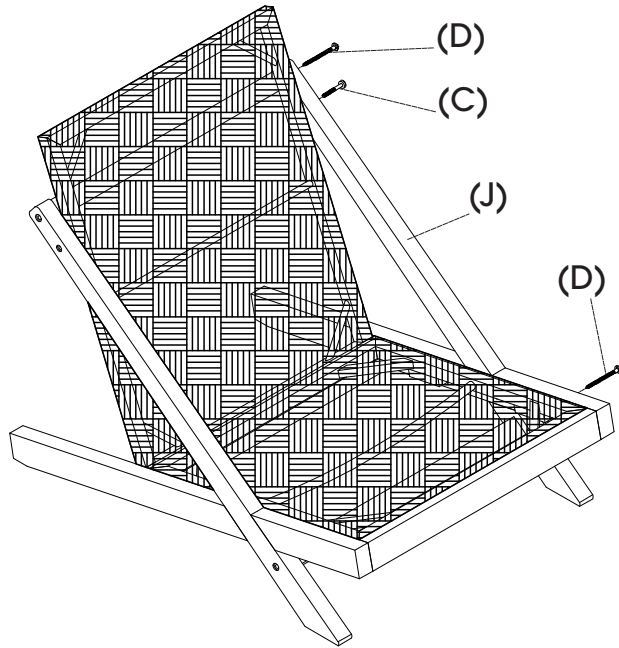
STEP 2.



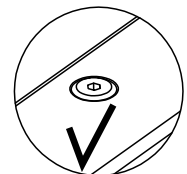
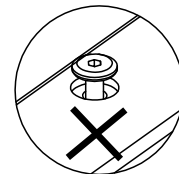
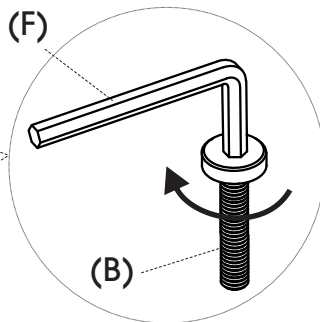
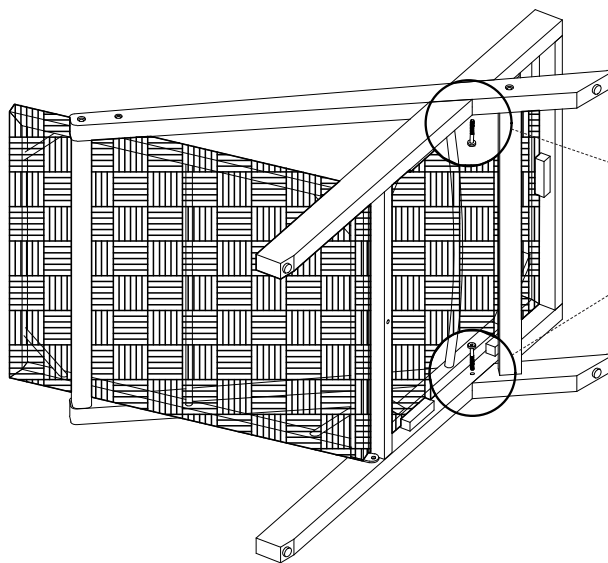
MANLY ARMLESS 1S - NATURAL

24413114

STEP 3.



STEP 4.

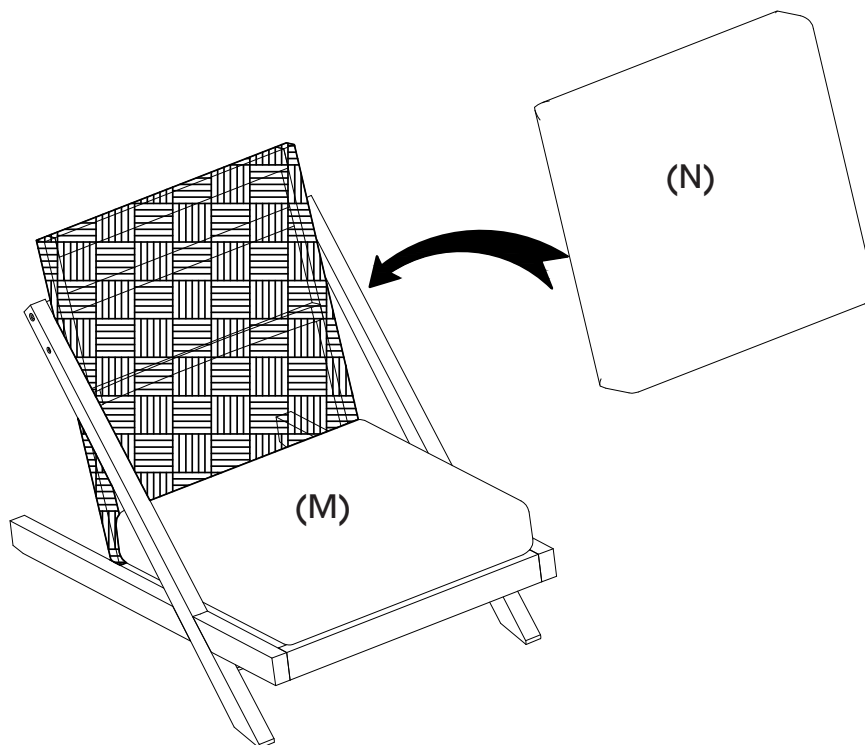


"Ensure that all bolts are completely tightened"

MANLY ARMLESS 1S - NATURAL

24413114

STEP 5.



FINISHED

