

MAZARRO BISTRO STOOL WHITE

24603584

Undercover



Thank you for purchasing the Mazarro Bistro Stool White. Before you begin to assemble your new piece of furniture, please check to ensure that all hardware and parts have been supplied. This page lists all contents included in the carton(s).

Follow instructions closely as deviation from them may present a possible safety risk and may void your warranty.

It is recommended that assembly is done on a soft surface such as carpet to avoid any damage.

If you experience any problems with your new purchase, please contact Customer Service via the website www.freedom.com.au or www.freedomfurniture.co.nz

Care Information

This product is suitable for Occasional Outdoor Use or Undercover

This refers to outdoor furniture that is not designed for permanent outdoor use. It is recommended for use in outdoor under cover areas only.

Timber Care

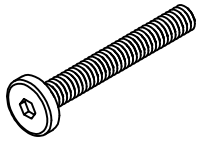
To prolong lifetime store in a dry location when not in use or during periods of inclement weather. Expansion and contraction of timbers will occur with changes in humidity and temperature. This can cause timber to split which is natural and not considered a fault. Leaving painted surfaces exposed permanently to outdoor use will cause this to accelerate.

Use a dust pan brush to wipe down the surface monthly. Use a clean damp cloth to wipe down the surface and allow to dry.

MAZARRO BISTRO STOOL WHITE

24603584

Hardware (Supplied)



Ⓐ x 4
M6x60



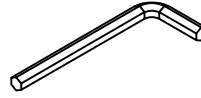
Ⓑ x 4
Ø3.5x20



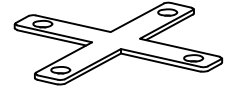
Ⓒ x 4
Ø12



Ⓓ x 4
Ø16



Ⓔ x 1
M4



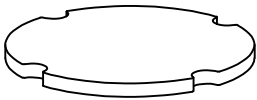
Ⓕ x 1

Tools Required (Not Supplied)

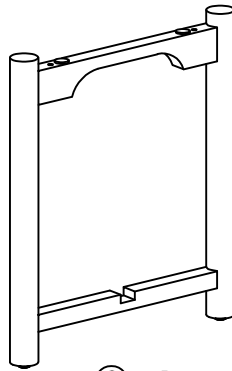


Phillip screw driver

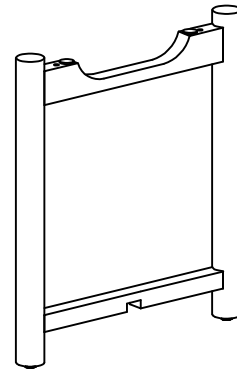
Parts



① x 1



② x 1

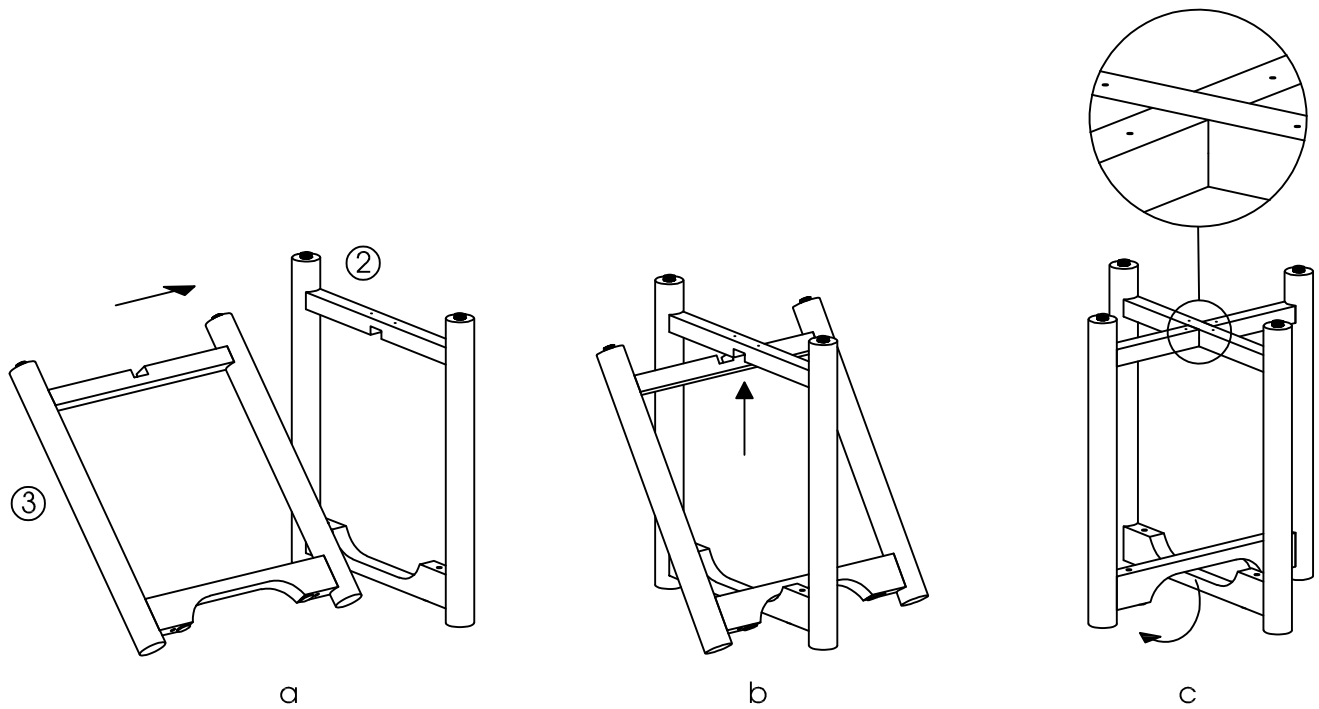


③ x 1

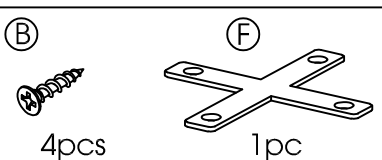
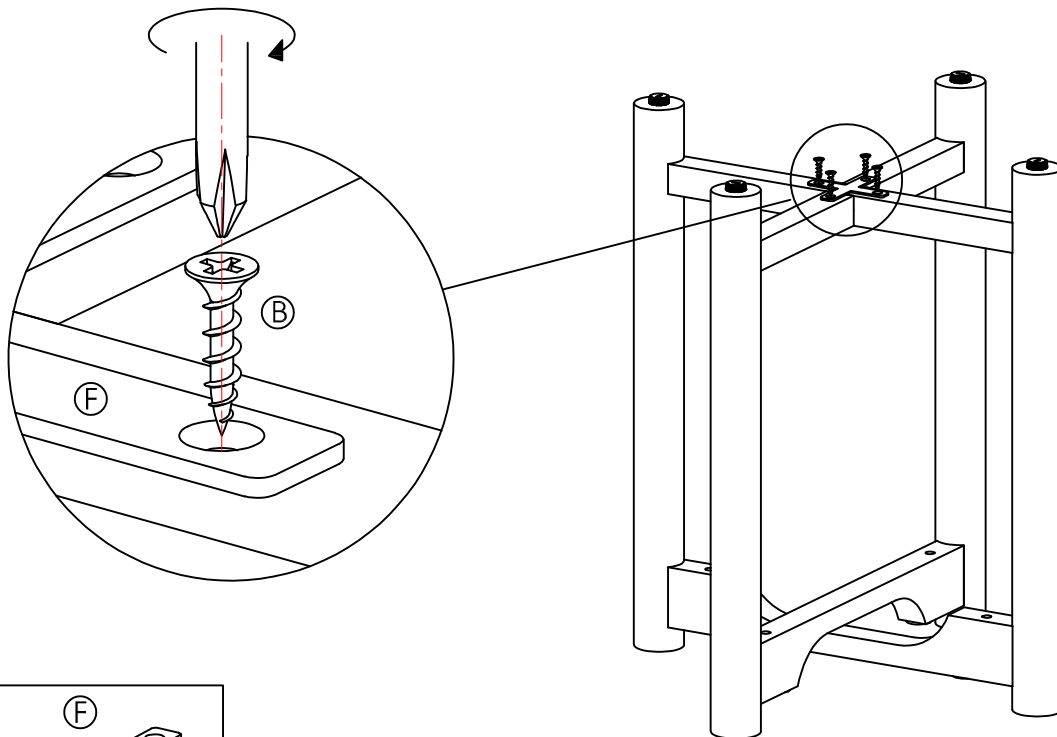
MAZARRO BISTRO STOOL WHITE

24603584

Step 1.



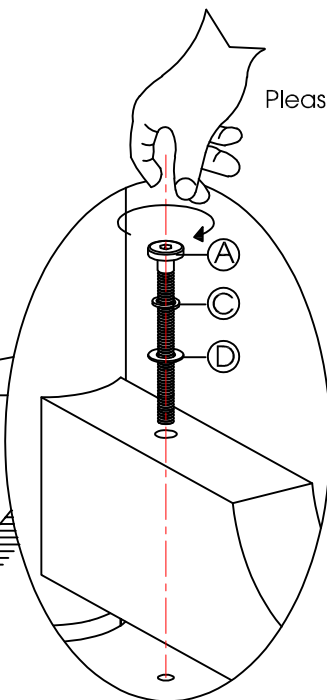
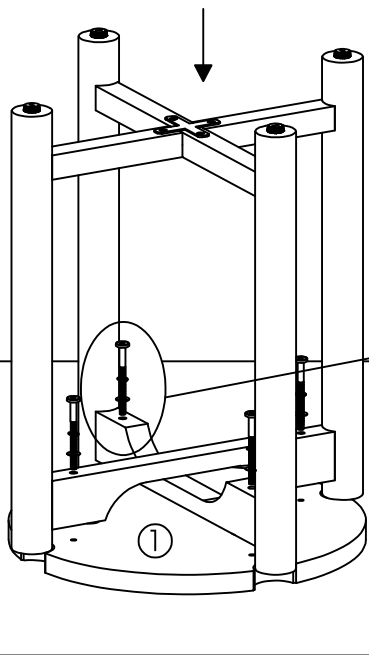
Step 2.



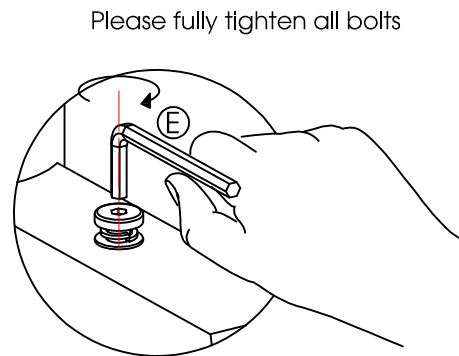
MAZARRO BISTRO STOOL WHITE

24603584

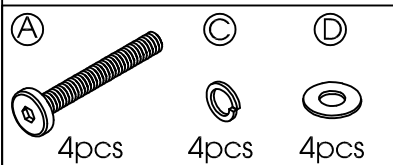
Step 3.



Please hand tighten bolts



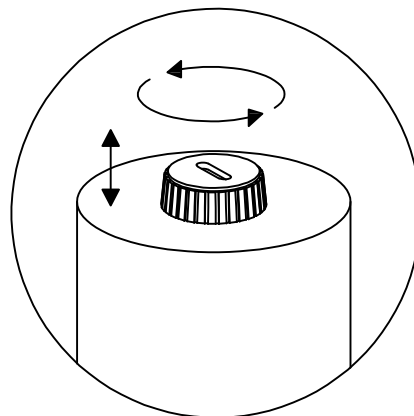
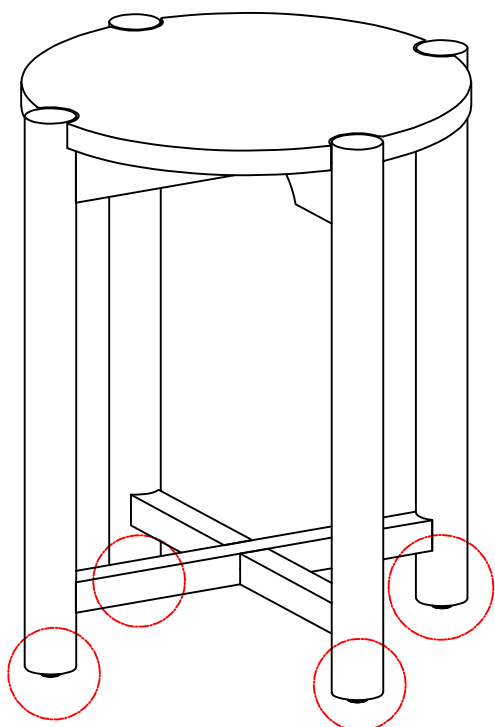
Please fully tighten all bolts



Attention!
Put the item on a rug or similar to help
protect surfaces from scratching.
Do not fully tighten.

Note: Please check again and make
sure all bolts must be fully tighten after
completed.

Finished.



ADJUST
FEET LEVELERS