

ATAMAN Sofa 3S

24604697



Remove cushions
when not in use

Thank you for purchasing the ATAMAN Sofa 3S. Before you begin to assemble your new piece of furniture, please check to ensure that all hardware and parts have been supplied. This page lists all contents included in the carton(s).

Follow instructions closely as deviation from them may present a possible safety risk and may void your warranty.

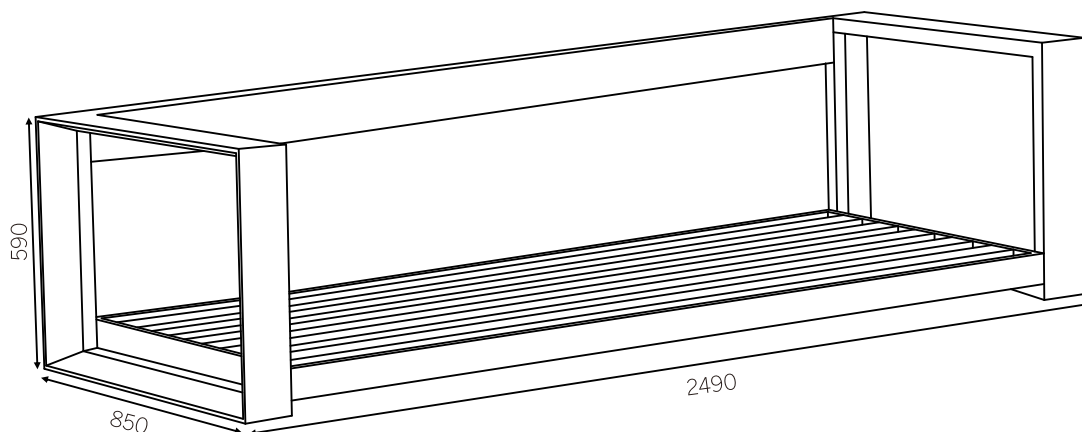
It is recommended that assembly is done on a soft surface such as carpet to avoid any damage.

If you experience any problems with your new purchase, please contact Freedom Customer Service via www.freedom.com.au (Australia) or www.freedomfurniture.co.nz (New Zealand)

Care Information

This product is suitable for Full Outdoor Use - Remove Cushion When Not In Use

- This refers to sofas and pieces where the furniture can be kept outdoors. Take care to remove cushions and store inside or in a dry area when not in use. Please read the care label for more information.
- Furniture made with polyester, man-made wickers and aluminum can be simply washed down with warm soapy water and left to dry naturally. Do this at least twice a year.
- To prolong the products life span, store in a dry location when not in use or during periods of inclement weather.



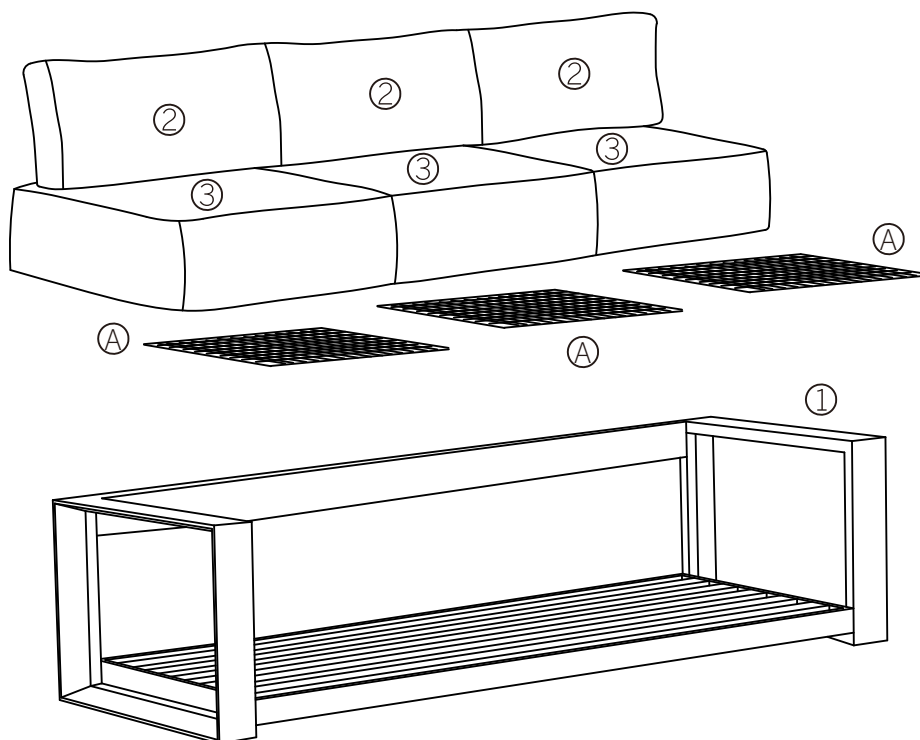
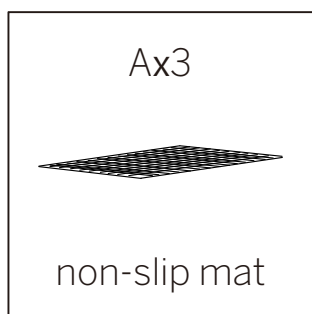
045 Rev 1

ATAMAN Sofa 3S

24604697

Parts

			✓
①	1	850x2490x590	
②	3	370x750x160	
③	3	850x750x240	
Ⓐ	3	260x260	



ATAMAN Sofa 3S

24604697

Step 1

