

# SIERRA OUTDOOR UMBRELLA 300cm

## 24604970 / 24604925

Thank you for purchasing the Sierra Outdoor Umbrella 300cm. Before you begin to assemble your new piece of furniture, please check to ensure that all hardware and parts have been supplied. This page lists all contents included in the carton(s).

Follow instructions closely as deviation from them may present a possible safety risk and may void your warranty.

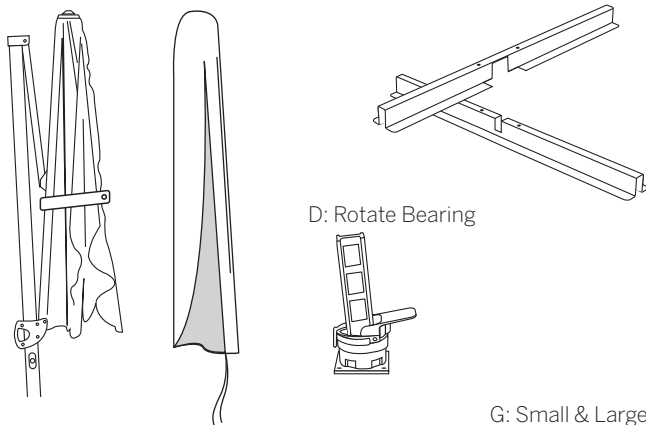
It is recommended that assembly is done on a soft surface such as carpet to avoid any damage.

If you experience any problems with your new purchase, please contact Freedom Customer Service (FCS) via [www.freedom.com.au](http://www.freedom.com.au) (Australia) or [www.freedomfurniture.co.nz](http://www.freedomfurniture.co.nz) (New Zealand).

### Parts List

Check for all components before discarding packaging.

A: Umbrella B: Protective Cover C: Ballast Block Frames



E: Crank Handle

F: Screws & Washers

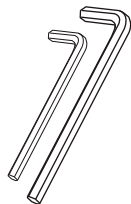
G: Small & Large Allen Keys



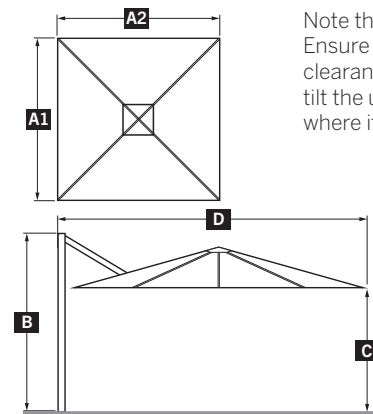
Hex Head  
M8 x 18mm  
QTY 4



M8 Washer  
QTY 4



### Dimensions



Note the umbrella dimensions. Ensure there is sufficient clearance to raise, rotate and tilt the umbrella in the location where it will be installed.

Ref	Description / Size	
A1	Canopy Size - Depth	300cm
A2	Canopy Size - Width	300cm
B	Mast Height	272cm
C	Clearance	212cm
D	Open Width	318cm

See page 4 for clearances information

Please keep these instructions in a safe place for future reference



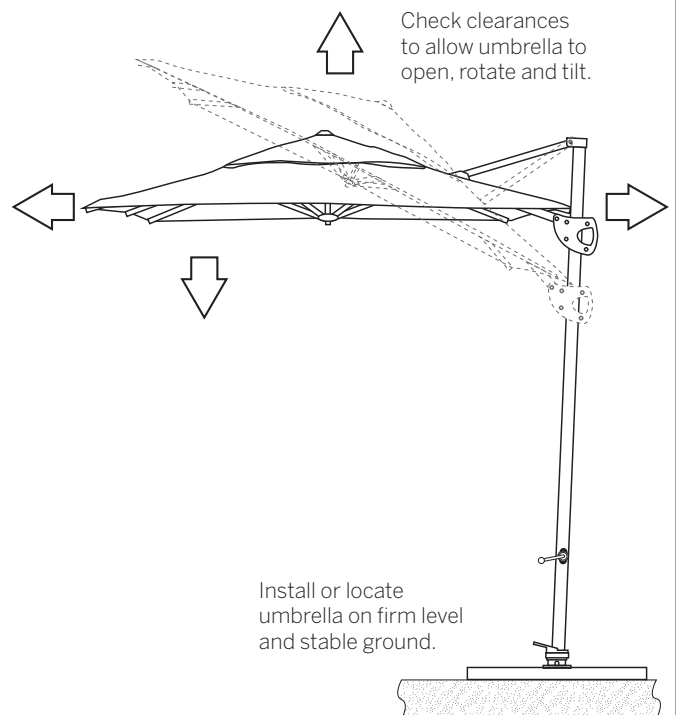
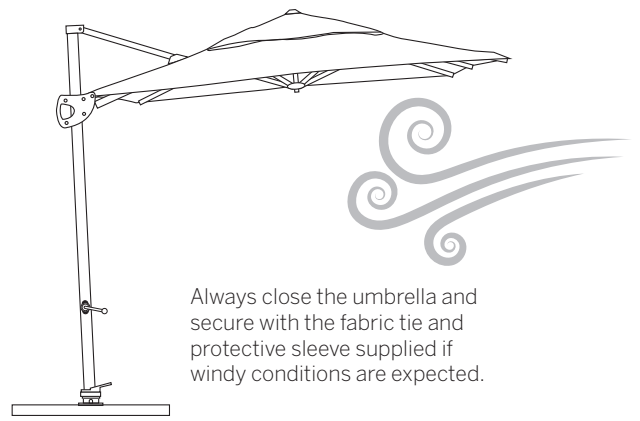
## General Safety Warnings

- This umbrella is not a permanent shade structure and must be lowered when unattended or when windy conditions are present. Never leave the umbrella unattended while open. Weather conditions may change without warning and strong gusts of wind may cause the umbrella to uplift, fall over or to break away from the mounting.
- Excessive wind can place immense stress on the frame and mounting, which can cause damage to the umbrella and present a hazard or danger to people. Always close the umbrella and secure with the fabric tie and protective sleeve supplied if windy conditions are expected.
- Keep hands and fingers clear of the umbrella frame when opening or closing the frame.
- Do not allow young children to operate the umbrella without supervision. Always supervise young children when in the vicinity of the umbrella.
- Do not force the crank or opening system. If there is resistance when attempting to open the umbrella, check for damage to the frame, or interference from surrounding objects or structures.
- If part of the umbrella frame should become damaged, it should be repaired prior to continued use. Continued use of a damaged umbrella could cause damage to property or injury to persons.



## Installation Warnings

- Before installing the umbrella, carefully consider the location where the umbrella will be installed and the type of mounting solution required. Ensure there is sufficient clearance around and above the umbrella to allow the umbrella to open, rotate and tilt.
- Ensure the location where the umbrella will be installed is firm, level and stable. Do not install umbrella on sloping or soft ground.
- This umbrella is not recommended for exposed environments such as high balconies or apartment roof tops.
- Carefully read all installation and usage instructions supplied. If in doubt, consult a qualified tradesperson or contact Freedom.
- Cantilever umbrellas are heavy and may require two or more people to lift, install, or move.
- Only use recommended bases or anchoring systems.

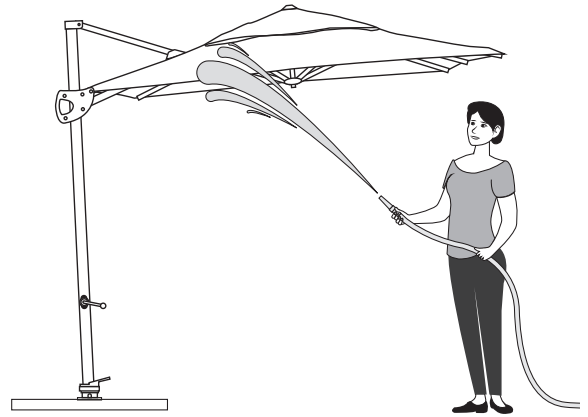


## Care Information

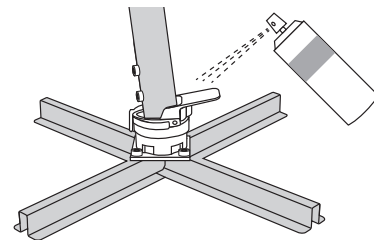
- To prevent damage or scuffing to the umbrella frame or canopy during installation, place the umbrella and components on a blanket.
- Protective sleeve: Close the umbrella when not in use. Tie the fabric tie around the umbrella and mast, then slip the protective sleeve over the top of the umbrella.
- Always store umbrella in a dry, protected location if it is not to be used for long periods.
- The umbrella should be hosed regularly with fresh water if it is installed in a location exposed to continuous salt spray or pollution.
- Soiling of the canopy can be minimised by simply brushing off dirt before it becomes embedded in the fabric or spot cleaning soon after stains occur. Fabrics may be treated with a fabric protector for additional protection.
- Prior to long periods of expected rain or wet conditions, it is recommended to store the umbrella in a dry place, to prevent the growth of mould.
- Do not close or store the umbrella when wet. If it is necessary to close a wet umbrella in stormy weather - open and dry the canopy as soon as weather conditions allow.
- Avoid using harsh chemical cleaners. Always test any cleaner on a small area of the umbrella to ensure it is safe to use.
- Do not use bleach on the canopy or frame.
- Increase the frequency of the annual cleaning routine if the umbrella is located in a coastal area (salt spray), or located in the vicinity of a swimming pool where splashes or vapours from pool chemicals are present. Pool salt, chlorine, acid and bromine are corrosive and may affect nearby metals and fabrics.

## Maintenance Schedule

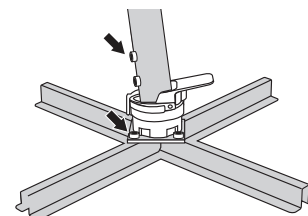
At least once per year - hose the umbrella down with fresh water. Use a soft scrubbing brush to remove any build-up of dust or grime on the frame or canopy. Increase the frequency of this routine if the umbrella is located near the coast or a swimming pool.



At least every 6 months - spray the Rotate Bearing and Ballast Block Frame with WD40 or deoderised fish-oil.



At least every 3-6 months - confirm umbrella post is secured to the Rotate Bearing / Ballast Block Frame - Check that all screws are tight.





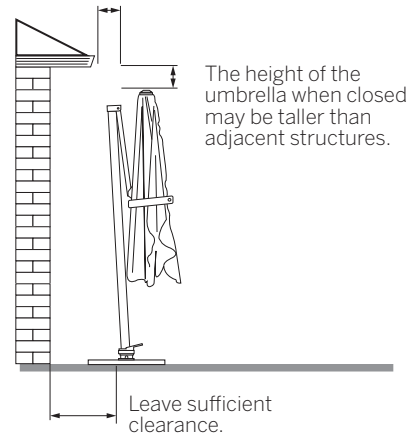
## Clearances

Carefully consider clearance requirements before installing your umbrella. Note that the umbrella height will vary between the closed and open state.

Refer to the umbrella dimensions provided in this manual to assist with planning the installation location of the umbrella in respect to adjacent fixed obstacles such as: building structures, eaves & gutters, fences & garden walls.

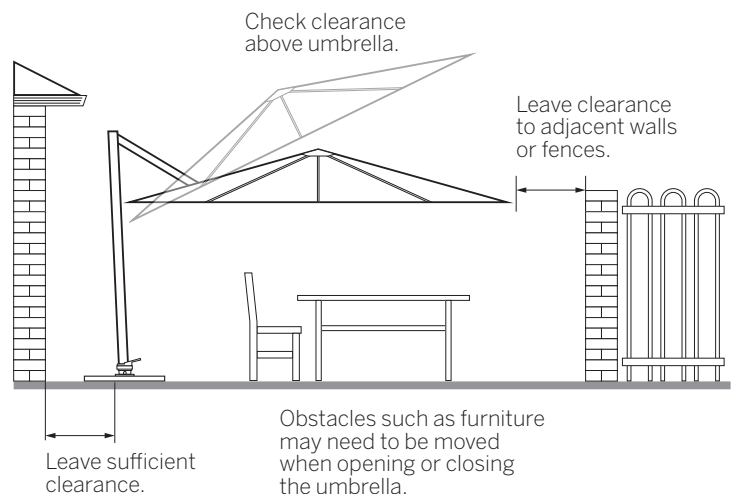
### Clearances - when the umbrella is closed

- The height of the umbrella when closed, may be taller than adjacent structures or obstacles. Allow sufficient clearance for the umbrella to be opened and closed.
- Leave sufficient clearance to allow the operation of the crank and Main Frame Grip.



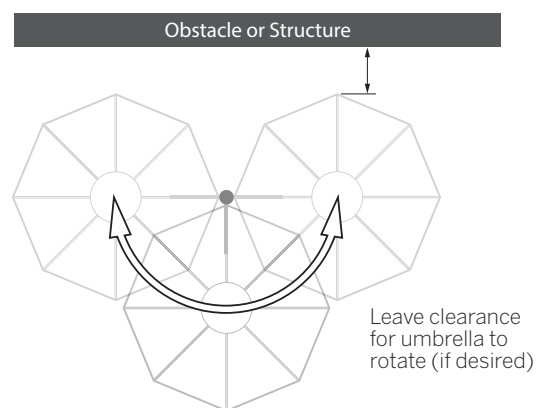
### Clearances - when the umbrella is open (or tilted)

- Leave sufficient clearance around the umbrella mast to allow it to be opened and tilted.
- Leave sufficient clearance from the umbrella to adjacent walls or fences. Such structures may interfere with the operation of the umbrella.
- Note that obstacles such as garden furniture may need to be moved to allow the umbrella to open and close.



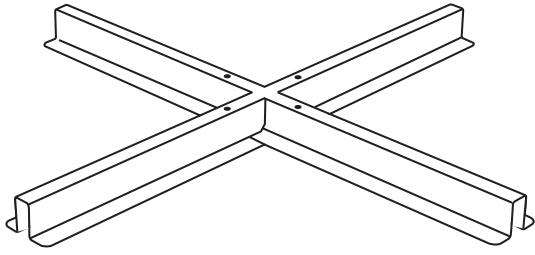
### Clearances - for the umbrella to be rotated (if desired)

- When the umbrella is rotated, the canopy follows an arc around the mast.
- Leave sufficient clearance around the umbrella canopy to allow it to be rotated (if desired).



## Assembly & Set Up

### Ballast Block Frame and Ballast/Weights



#### Important - Ballast Requirements:

Minimum ballast weight requirements stated. Additional ballast will be required for use in breezy conditions.

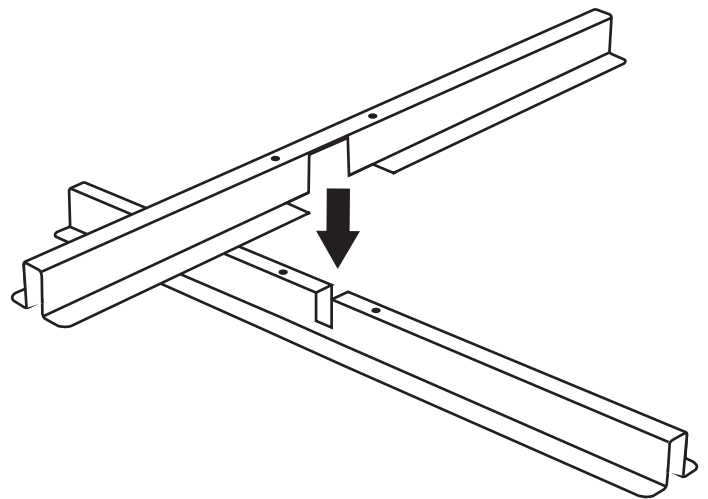
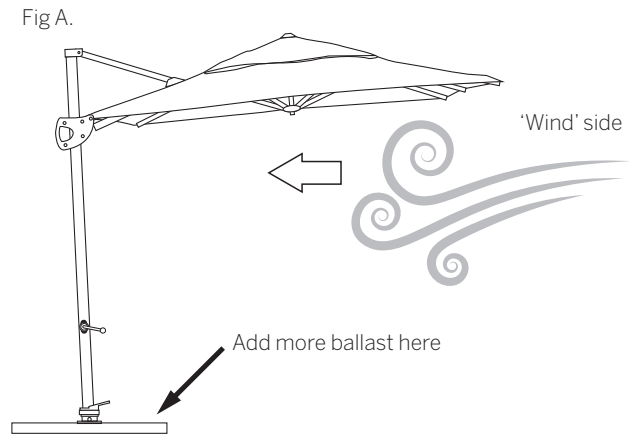
- A minimum of 4 Granite Ballast Weights (27.5kgs each - a total of 110kgs).
- A minimum of 6 Granite Ballast Weights (27.5kgs each - a total of 165kgs), if the location where the umbrella will be placed is typically subject to wind, place extra ballast on the 'wind' side of the umbrella base. (Fig A).

#### Step 1. Assemble Ballast Block Frame

Assemble the upper and lower parts of the Ballast Block Frame.

(Note correct orientation of the parts)

Ballast Block Frame (C) is included with your umbrella. Ballast weights are not included with the umbrella and must be purchased separately.

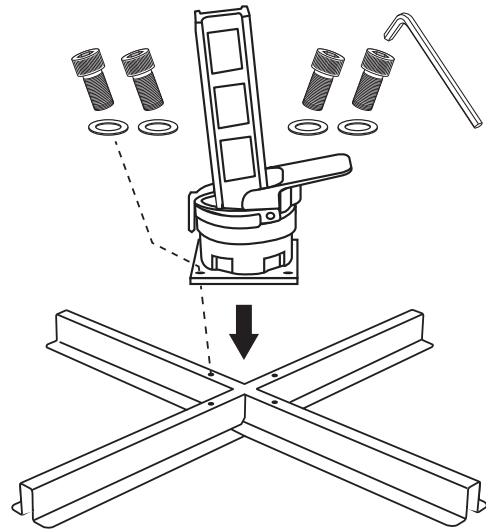
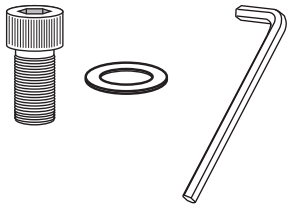


## Assembly & Set Up (Cont)

### Step 2. Attach Rotate Bearing To Ballast Block Frame

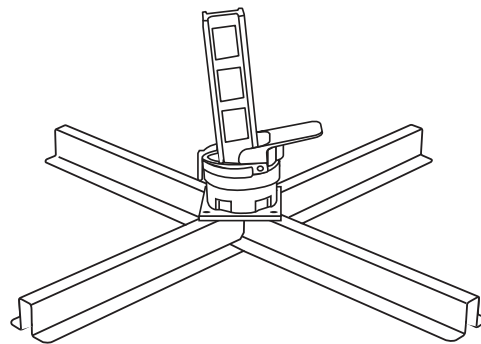
Attach the Rotate Bearing (D) to the Ballast Block Frame using the four M8x20mm screws and washers provided.

Tighten the screws firmly.



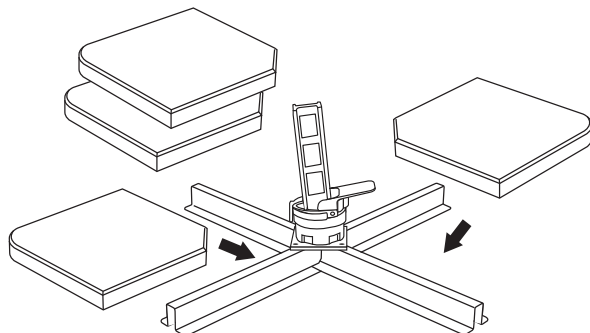
### Step 3. Position The Ballast Block Frame

Place the assembled frame in the required location. Note: for safe use the surface should be level, firm and stable.



### Step 4. Add Ballast

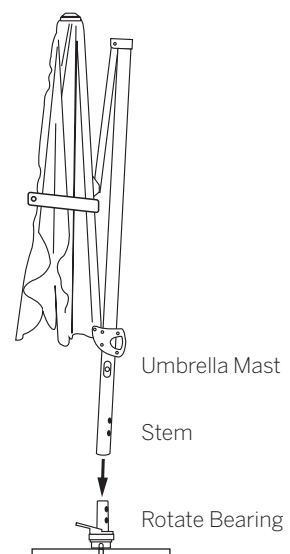
Place Ballast Weights onto assembled frame. If the location is subject to wind, place extra weights/blocks on the wind side of the umbrella.



### To install the umbrella

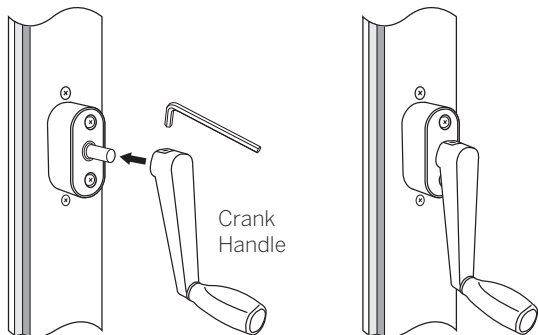
1. Confirm Rotate Bearing is firmly attached to the base. (On-Ground Plate, Ballast Block Frame or Resin Base).
2. Remove the two M8 x 18mm screws from the Rotate bearing stem.
3. Lift the umbrella to the vertical position and carefully lower the mast onto the Rotate Bearing stem.
4. Align the two holes on Umbrella Mast with holes on the Rotate Bearing Stem. Insert the two M8x20mm screws and washers into the bottom of the mast and tighten with the large Allan key. Tighten screws firmly.

Secure mast to stem using the two M8 screws and washers

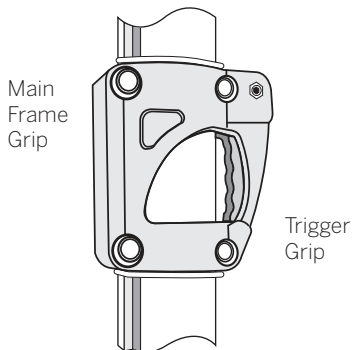


## Assembly & Set Up (Cont)

- 1 Attach the Crank Handle to the spindle on the crank housing. Tighten firmly with the small Allen key.



- 2 Note the location of the Main Frame Grip on the umbrella mast. Squeezing the trigger will allow you to raise or lower the grip.

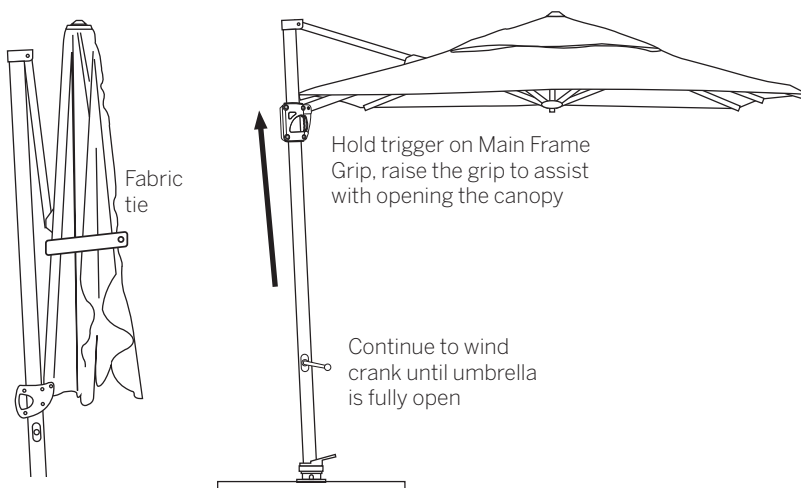


- 3 To open the umbrella  
Release the fabric tie and allow the umbrella to unfurl slightly. Ensure canopy fabric is not tangled with umbrella ribs.

Squeeze the trigger on the Main Frame Grip and slowly turn the crank handle in a clockwise direction; if the canopy does not begin to open, check that umbrella ribs are not tangled, or look for surrounding obstructions. **NEVER FORCE THE CRANK HANDLE.**

Continue turning the crank while at the same time lifting the Main Frame Grip upwards to assist with raising the umbrella canopy.

Once the canopy is fully open, release the trigger on the Main Frame Grip. Move the grip up or down slightly until the locking pin engages with the detent on the mast.

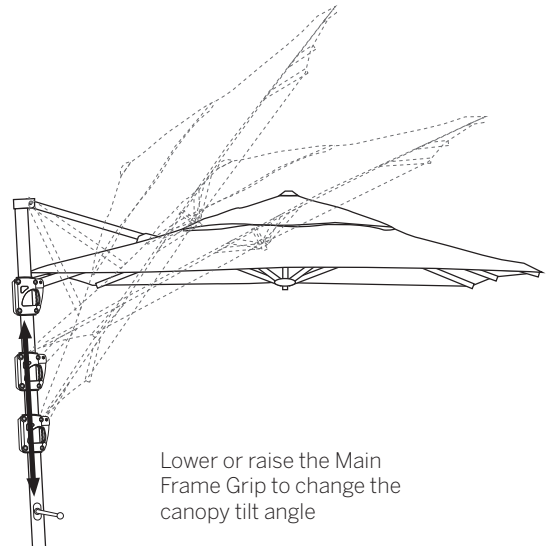


## Assembly & Set Up (Cont)

### 4 To change the canopy tilt angle

To change the tilt angle of the umbrella canopy, squeeze the trigger on the Main Frame Grip and move the grip up or down to set the preferred tilt angle. Release the trigger - move the grip up or down slightly until it engages on the mast.

Note: The umbrella will catch more wind when tilted. Always use the tilt feature with caution.

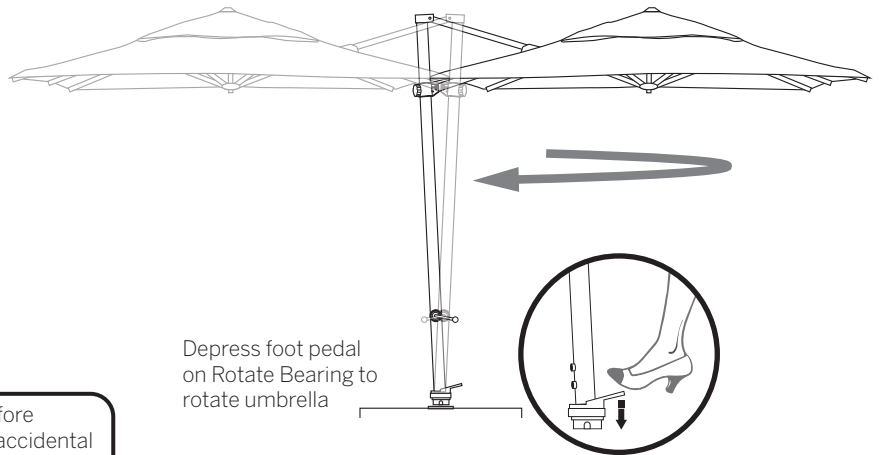


### 5 To rotate the umbrella

To rotate the umbrella, gently step on the Rotate Bearing Foot Pedal and turn the frame to your desired position.

Releasing the foot pedal will lock the Rotate Bearing.

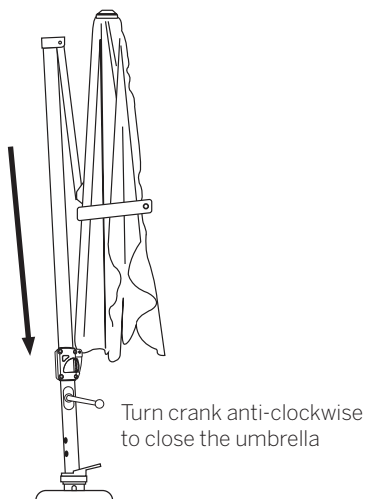
We recommend closing the umbrella before rotating it if a breeze is present to avoid accidental damage to umbrella or nearby structures.



### 6 To close the umbrella

Close the umbrella by squeezing the trigger on the Main Frame Grip and turning the crank handle anti-clockwise, while simultaneously lowering the Main Frame Grip.

Release the trigger on the Main Frame Grip to secure the frame on the mast.



### Protective cover

Fit the protective cover to the umbrella if it is not to be used for any period of time. This will protect the umbrella from the elements and help extend the life of the umbrella.

Always dry umbrella before covering.

