

Selena Office Chair

24606561/24606585/24606592/24606547

Thank you for purchasing the Selena Office Chair. Before you begin to assemble your new piece of furniture, please check to ensure that all hardware and parts have been supplied. The following page lists all contents included in the carton(s).

Follow instructions closely as deviation from them may present a possible safety risk and may void your warranty.

It is recommended that assembly is done on a soft surface such as carpet to avoid any damage.

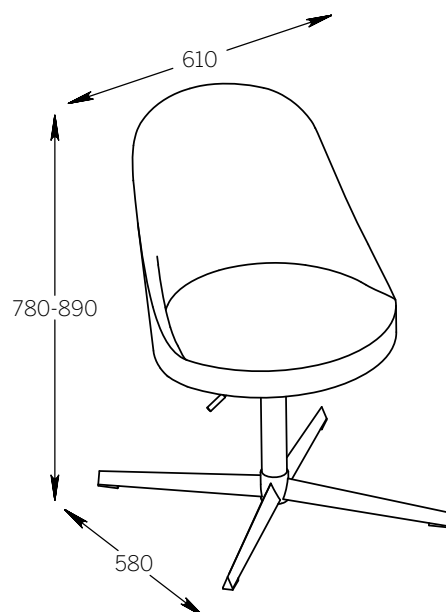
If you experience any problems with your new purchase, please contact Freedom Customer Service via www.freedom.com.au (Australia) or www.freedomfurniture.co.nz (New Zealand).

Care Information

Periodically check and re-tighten any fasteners. Avoid direct sunlight, Treat spills and stains as soon as they occur. Gently scrape any soil or mop any liquid from the surface of the fabric, apply proprietary cleaning agents strictly according to instruction to remove the residue of the spill. Do not saturate the fabric or interior with water or other cleaning liquids. May be spot cleaned with dry cleaning solvent.

Pilling can occur occasionally as a result of normal daily wear and should not be considered as a fault. Fibre pills can be removed by a battery operated pilling tool available from most haberdashery stores.

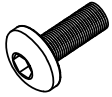
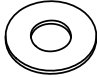

For further care information please refer to the care label attached to the base of your chair.



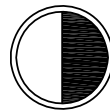
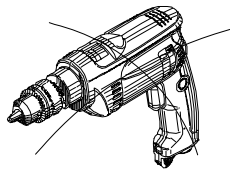
Selena Office Chair

24606561/24606585/24606592/24606547

Hardware(Supplied)

A x 4  M6x18mm	B x 4  Ø16mm	C x 1  5mm
---	---	---

DO NOT USE A
POWERDRILL
TO COMPLETE ASSEMBLY



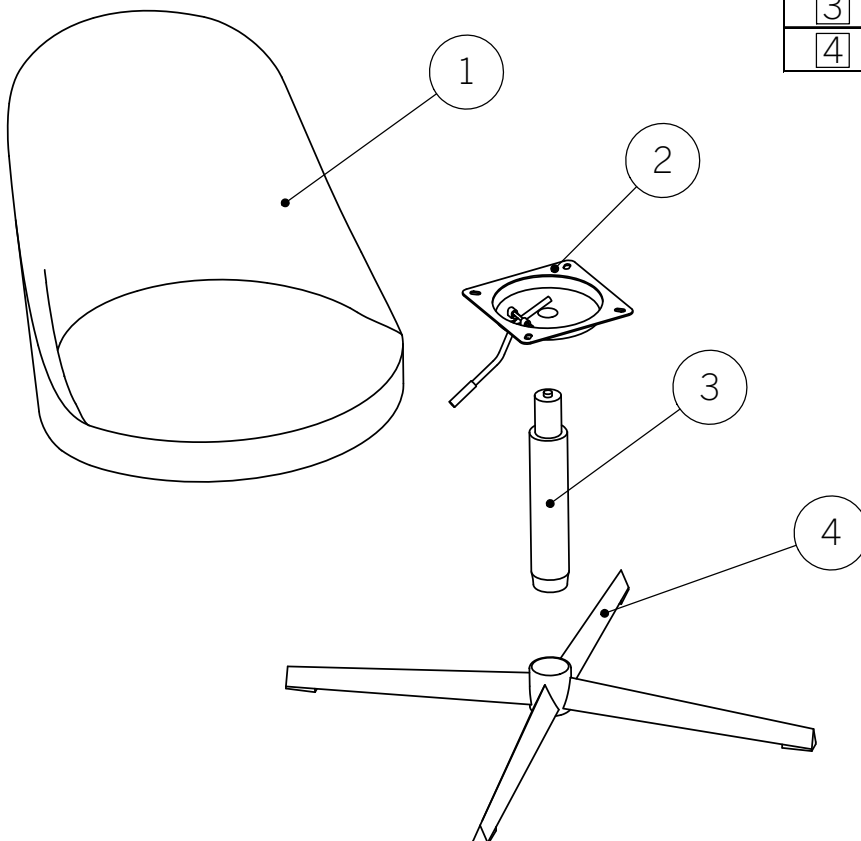
30
min



This assembly requires
one person

Parts

			✓
1	1	510x590x420	
2	1	170x170x47	
3	1	273	
4	1	715x715x73	



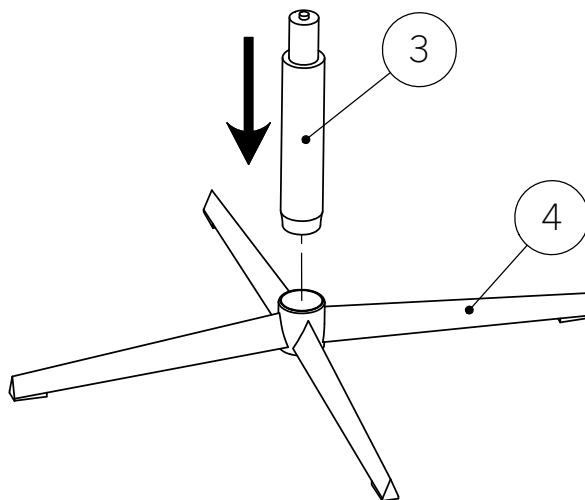
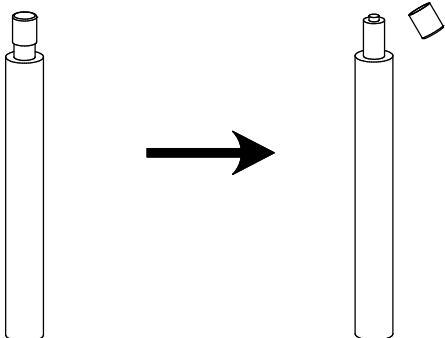
Selena Office Chair

24606561/24606585/24606592/24606547

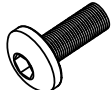
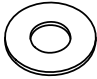

Step 1

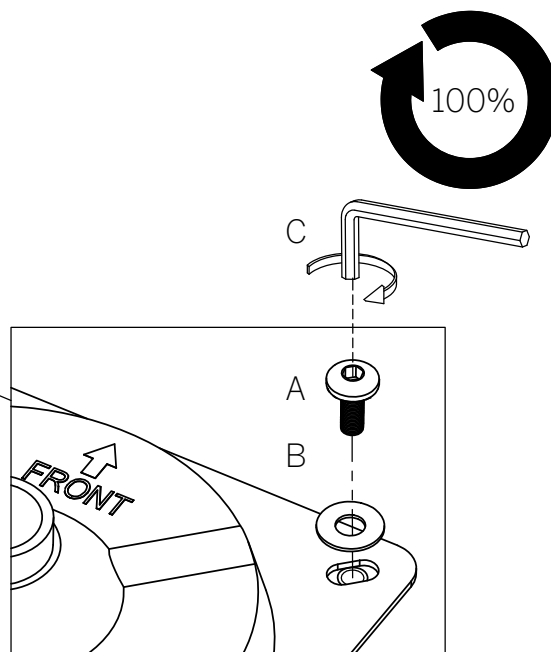
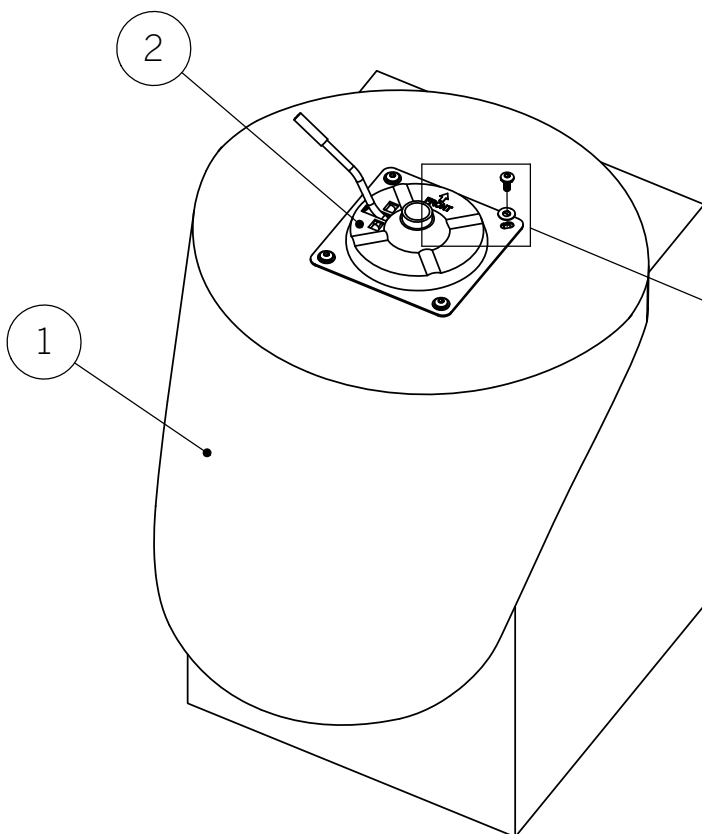


Warning
Remove the cap from the gas lift piston before assembly.



Step 2

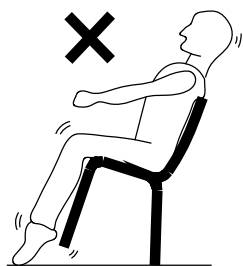
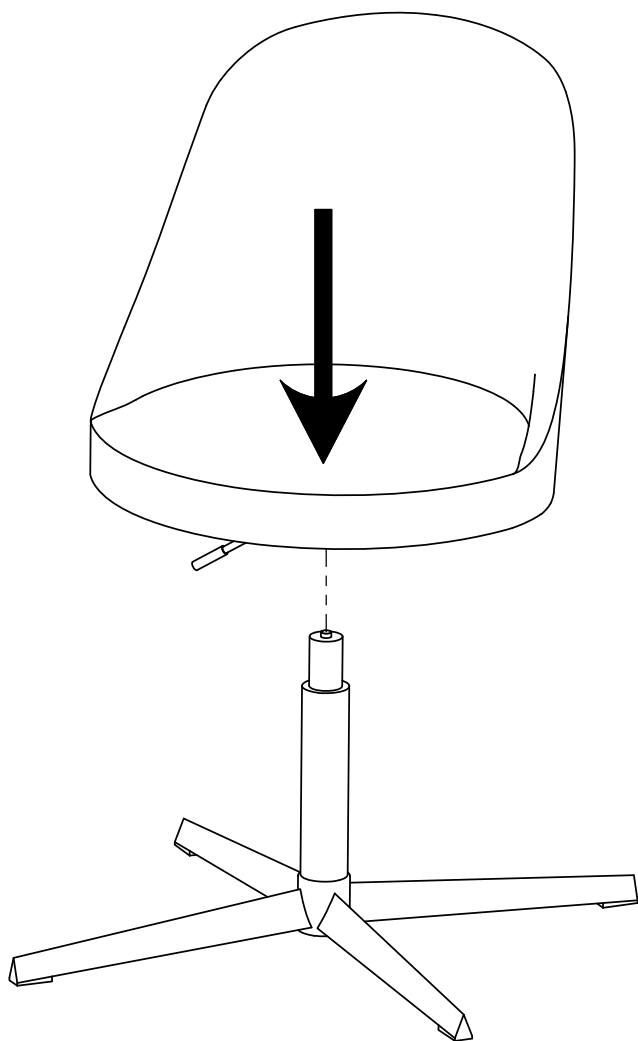
A x 4	B x 4	C x 1
		
M6x18mm	Ø16mm	5mm



Selena Office Chair

24606561/24606585/24606592/24606547

Step 3



Selena Office Chair

24606561/24606585/24606592/24606547

Step 4

