

# ALINA GAS LIFT BASE with HEADBOARD QUEEN/KING

24605489/24605762/24605533/24605823  
 24605625/24605748/24605670/24605861  
 24606318/24606240/24606264/24606363/24606400  
 24605526/24605786/24605564/24605878  
 24605649/24605779/24605700/24605908  
 24606226/24606295/24606370/24606387/24606400

Thank you for purchasing the Alina Bed. Before you begin to assemble your new piece of furniture, please check to ensure that all hardware and parts have been supplied. This page lists all contents included in the carton(s).

Follow instructions closely as deviation from them may present a possible safety risk and may void your warranty.

It is recommended that assembly is done on a soft surface such as carpet to avoid any damage.

If you experience any problems with your new purchase please contact Freedom Customer Service via [www.freedom.com.au](http://www.freedom.com.au) (AUS) and [www.freedomfurniture.co.nz](http://www.freedomfurniture.co.nz) (NZ)

## Care Information

### DO

- Vacuum regularly with a soft upholstery attachment. Dirt combined with body moisture can produce a grime discolouration to the fabric. Vacuuming will also remove grit that can also wear away the fabric.
- Follow the upholstery care instructions label attached to the bed.
- Use a professional dry cleaning service at least once a year to keep the fabric looking good. Leave any removable covers on during cleaning to minimise shrinking. Temporary pilling can happen with some fabrics. This isn't considered a fault and can be removed using a de-piling machine.

### DON'T

- Don't place the fabric in direct sunlight or near heaters as they can fade and damage the fabric. Use curtains and blinds to protect your furniture from direct sunlight through windows.
- Don't pull loose threads, cut them instead.

## HARDWARE ( Supplied for Base and Headboard )



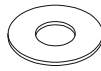
SPRING WASHER  
M6

8xPart R



SPRING WASHER  
M8

2xPart S



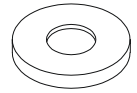
WASHER M6

14xPart T



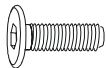
WASHER M8

22xPart U



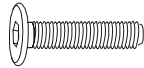
NYLON WASHER  
(2.5mm)  
(Pre-attached)

8xPart V



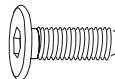
M6 x 30mm

8xPart W



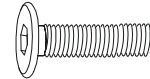
M6 x 45mm

8xPart X



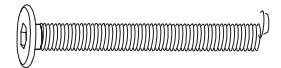
M8 x 30mm

8xPart Y



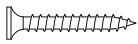
M8 x 40mm

21xPart Z



M6 x 65mm

2xPart AA



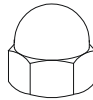
RATTAN SCREW  
M4 x 25mm

8xPart AB



NYLON NUT  
(Pre-attached)

4xPart AC



CAP NUT M8

2xPart AD



ALLEN KEY  
M8

1xPart AE



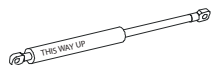
ALLEN KEY  
M6

1xPart AF



SPANAR  
M8

1 x Part AG



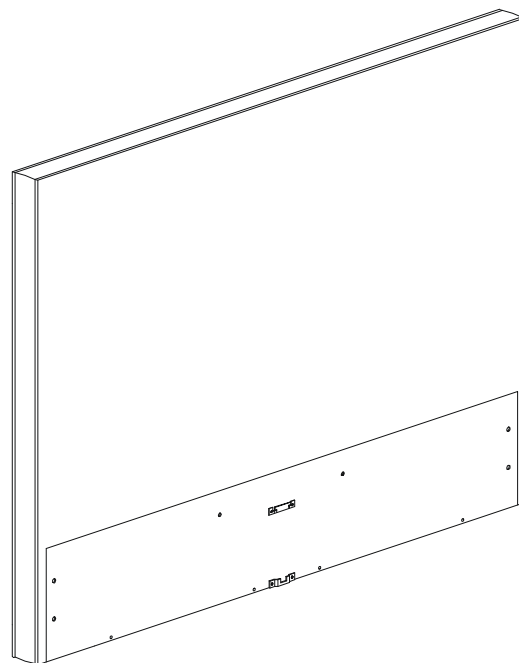
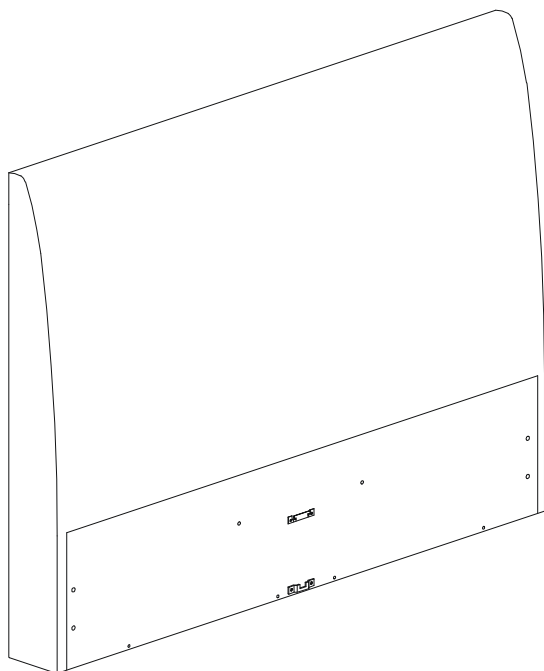
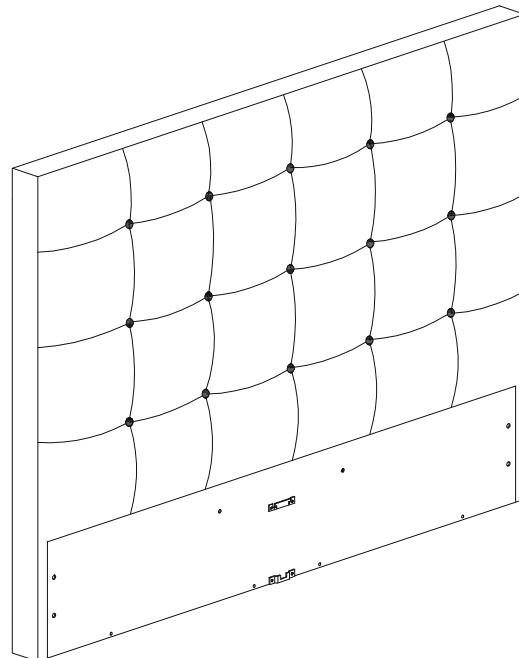
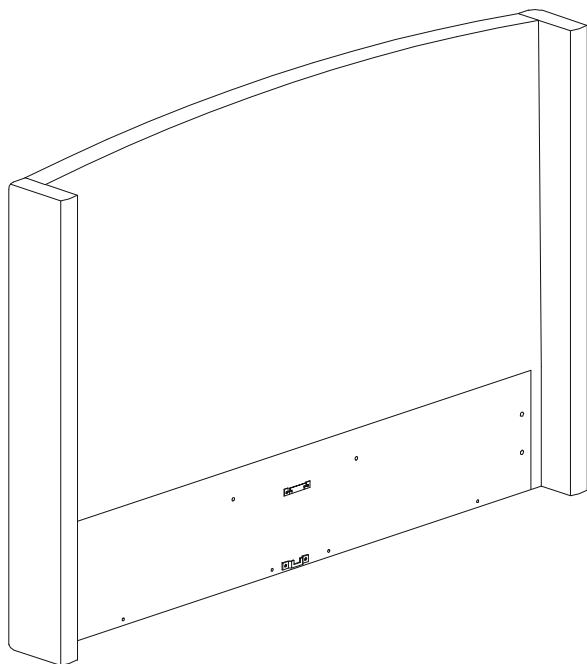
-QUEEN (1200N)  
-KING (1400N)

2 x Part I

# ALINA GAS LIFT BASE with HEADBOARD QUEEN/KING

24605489/24605762/24605533/24605823  
24605625/24605748/24605670/24605861  
24606318/24606240/24606264/24606363/24606400  
24605526/24605786/24605564/24605878  
24605649/24605779/24605700/24605908  
24606226/24606295/24606370/24606387/24606400

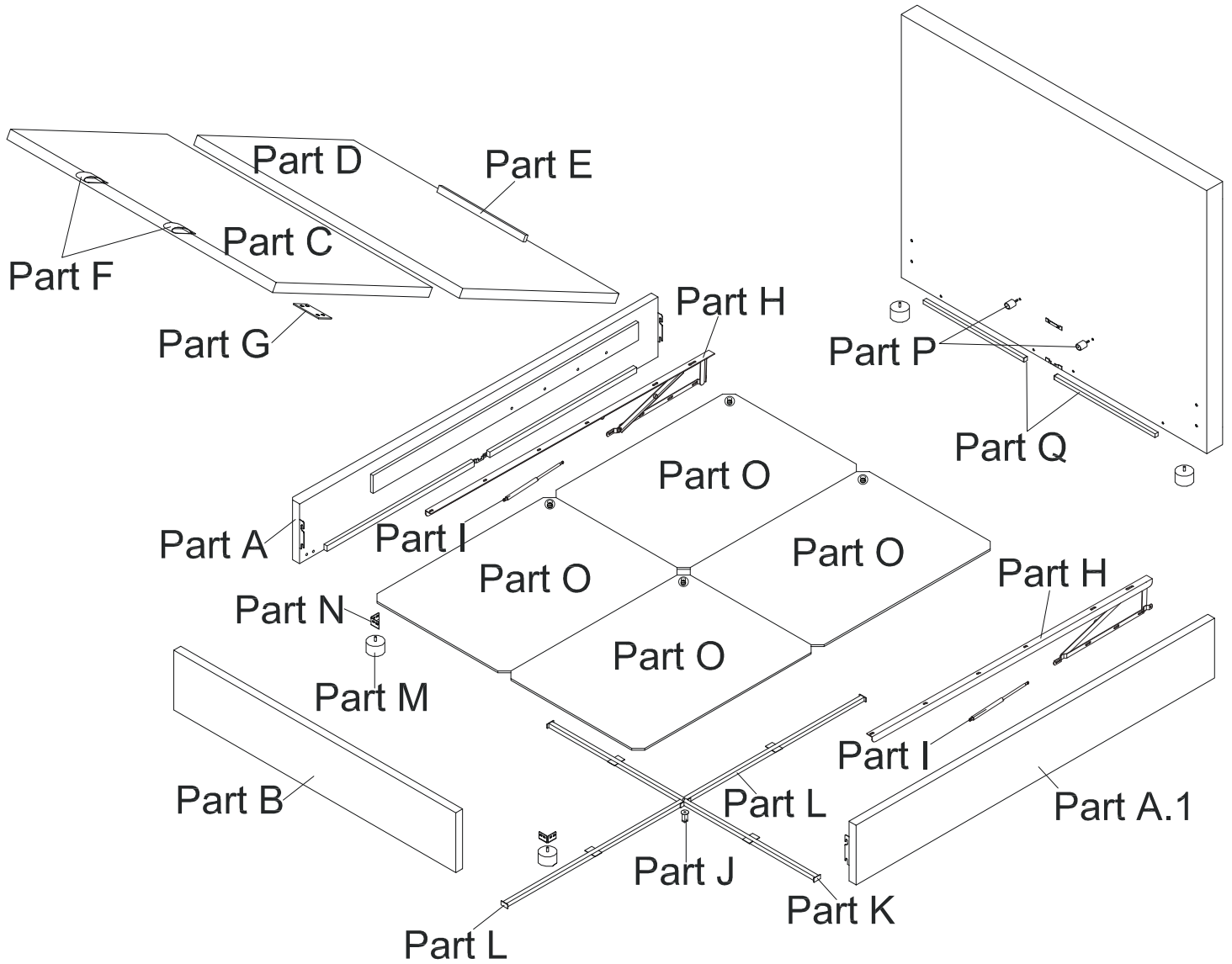
## ALINA STANDARD HEADBOARD



# ALINA GAS LIFT BASE with HEADBOARD QUEEN/KING

24605489/24605762/24605533/24605823  
24605625/24605748/24605670/24605861  
24606318/24606240/24606264/24606363/24606400  
24605526/24605786/24605564/24605878  
24605649/24605779/24605700/24605908  
24606226/24606295/24606370/24606387/24606400

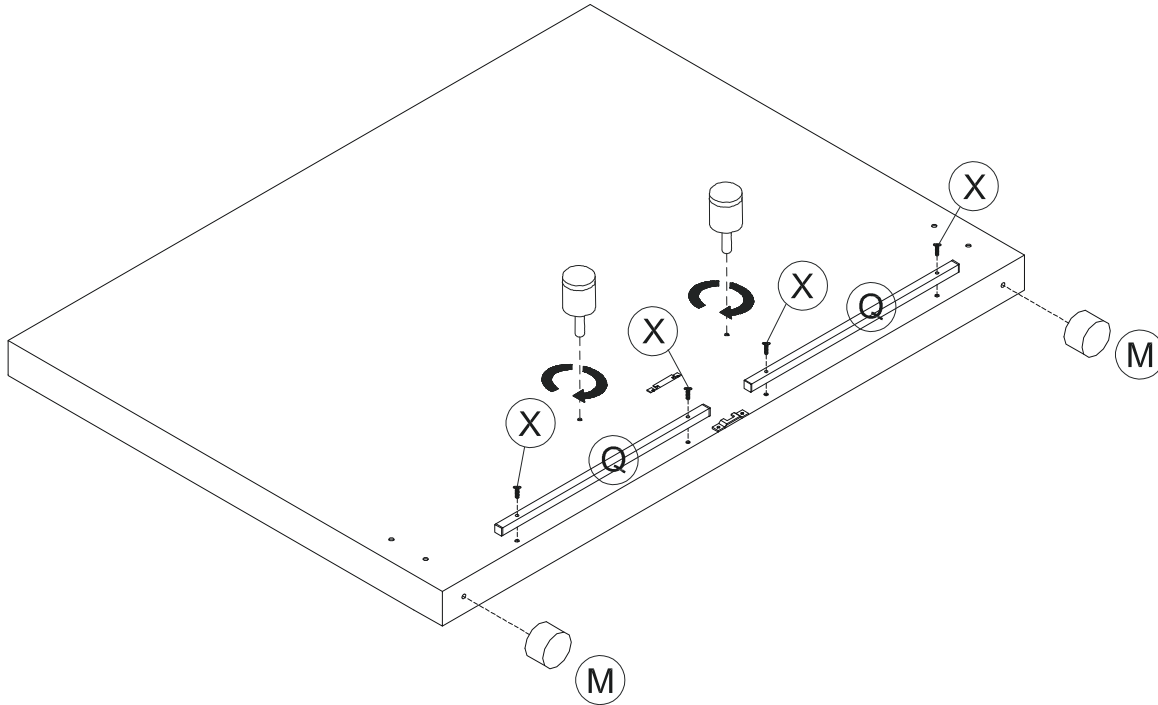
## ALINA GAS LIFT BASE with HEADBOARD



# ALINA GAS LIFT BASE with HEADBOARD QUEEN/KING

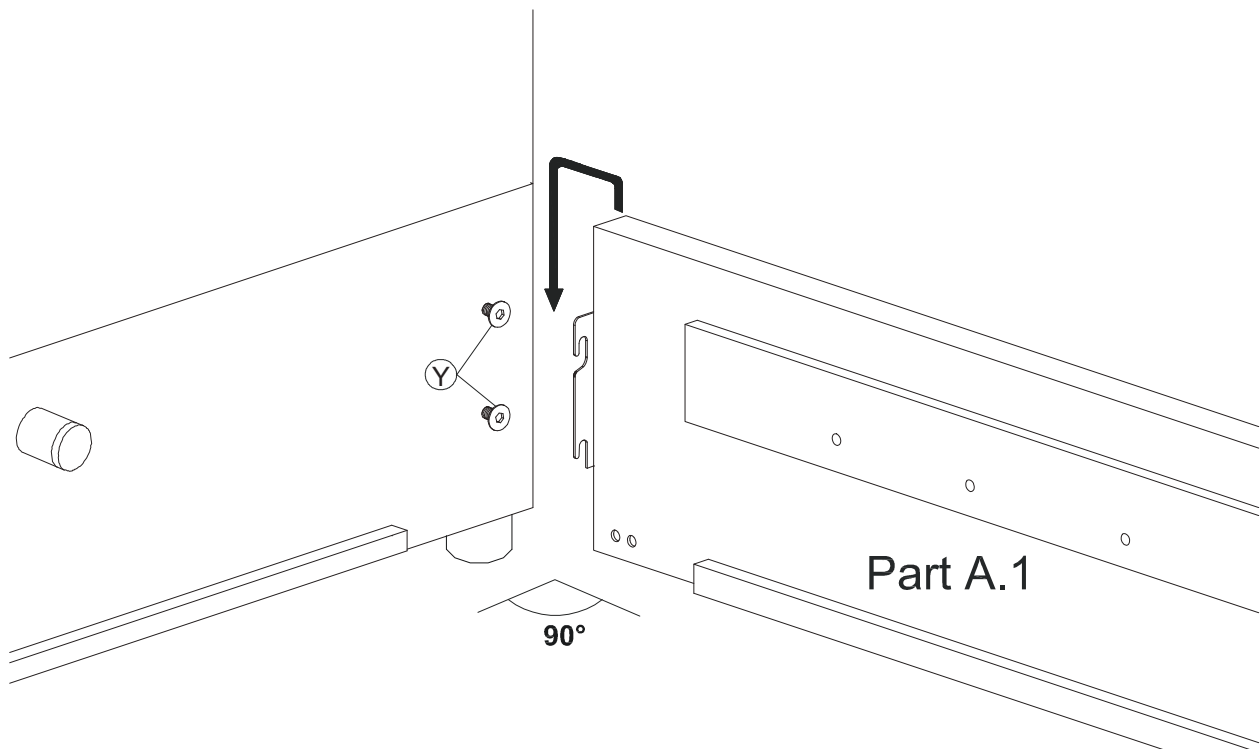
24605489/24605762/24605533/24605823  
24605625/24605748/24605670/24605861  
24606318/24606240/24606264/24606363/24606400  
24605526/24605786/24605564/24605878  
24605649/24605779/24605700/24605908  
24606226/24606295/24606370/24606387/24606400

## Step 1.



## Step 2.

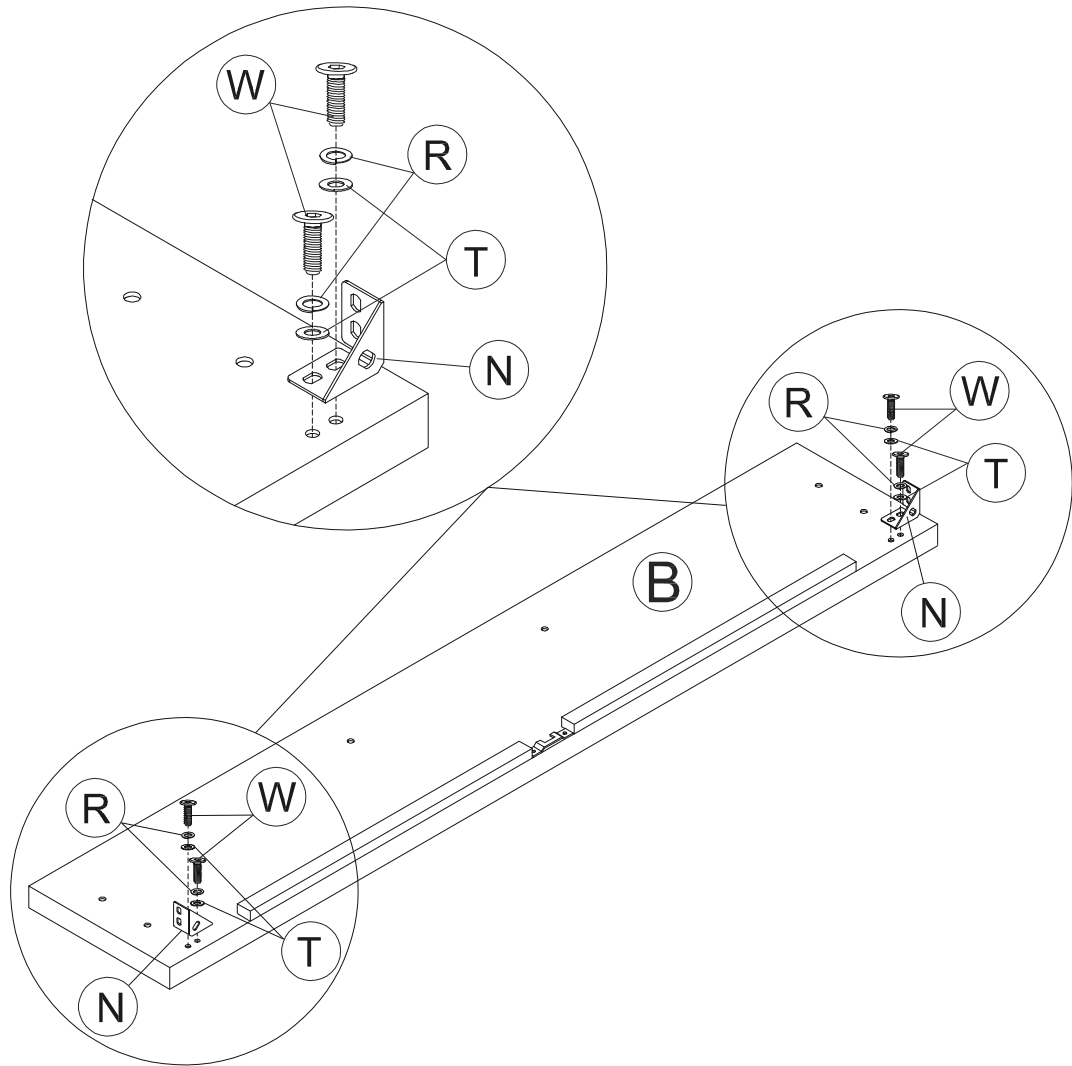
NOTE : TO INCREASE THE LONGEVITY, TIGHTEN BOLTS REGULARLY



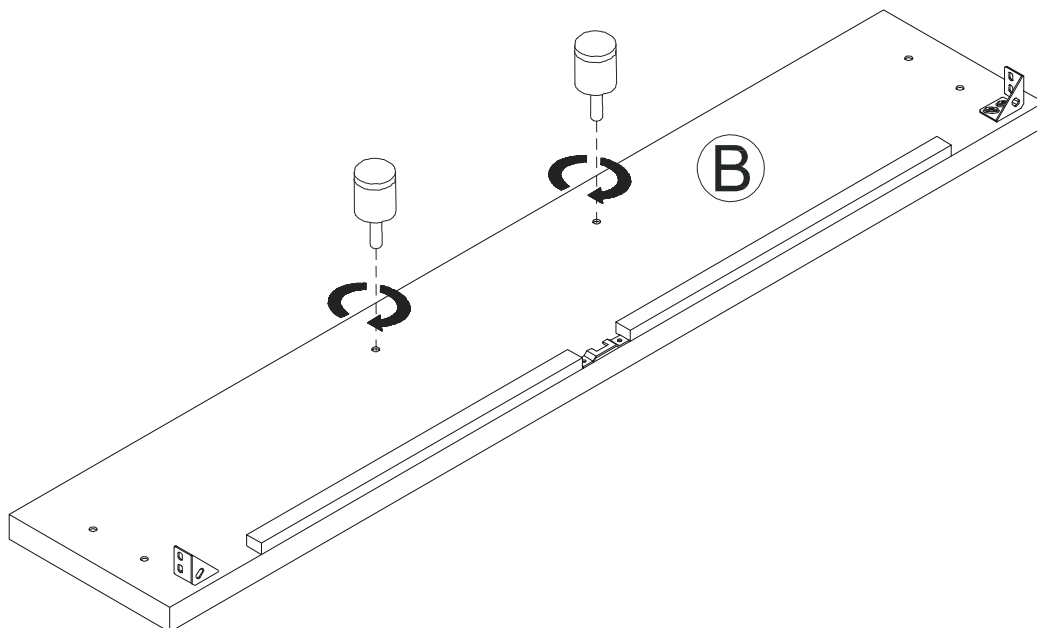
# ALINA GAS LIFT BASE with HEADBOARD QUEEN/KING

24605489/24605762/24605533/24605823  
24605625/24605748/24605670/24605861  
24606318/24606240/24606264/24606363/24606400  
24605526/24605786/24605564/24605878  
24605649/24605779/24605700/24605908  
24606226/24606295/24606370/24606387/24606400

Step 3.



Step 4.



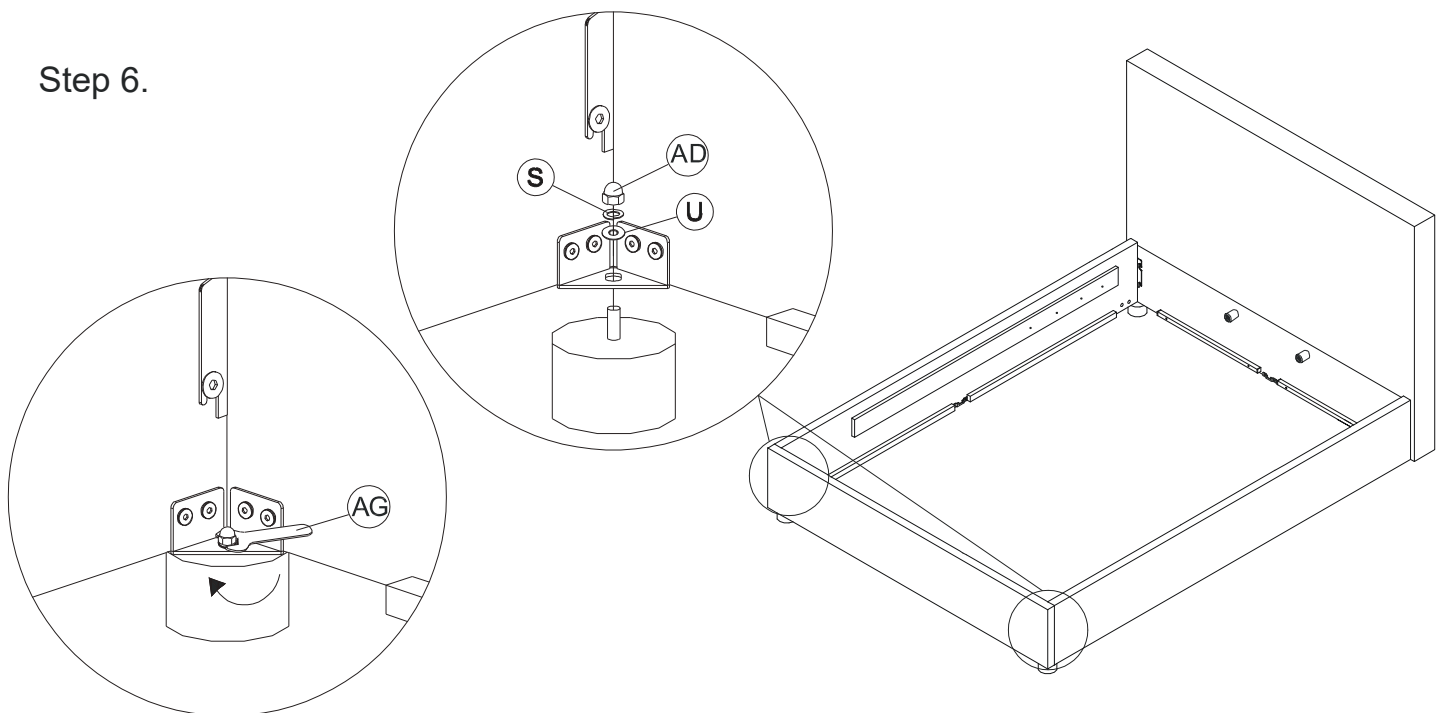
# ALINA GAS LIFT BASE with HEADBOARD QUEEN/KING

24605489/24605762/24605533/24605823  
24605625/24605748/24605670/24605861  
24606318/24606240/24606264/24606363/24606400  
24605526/24605786/24605564/24605878  
24605649/24605779/24605700/24605908  
24606226/24606295/24606370/24606387/24606400

## Step 5.



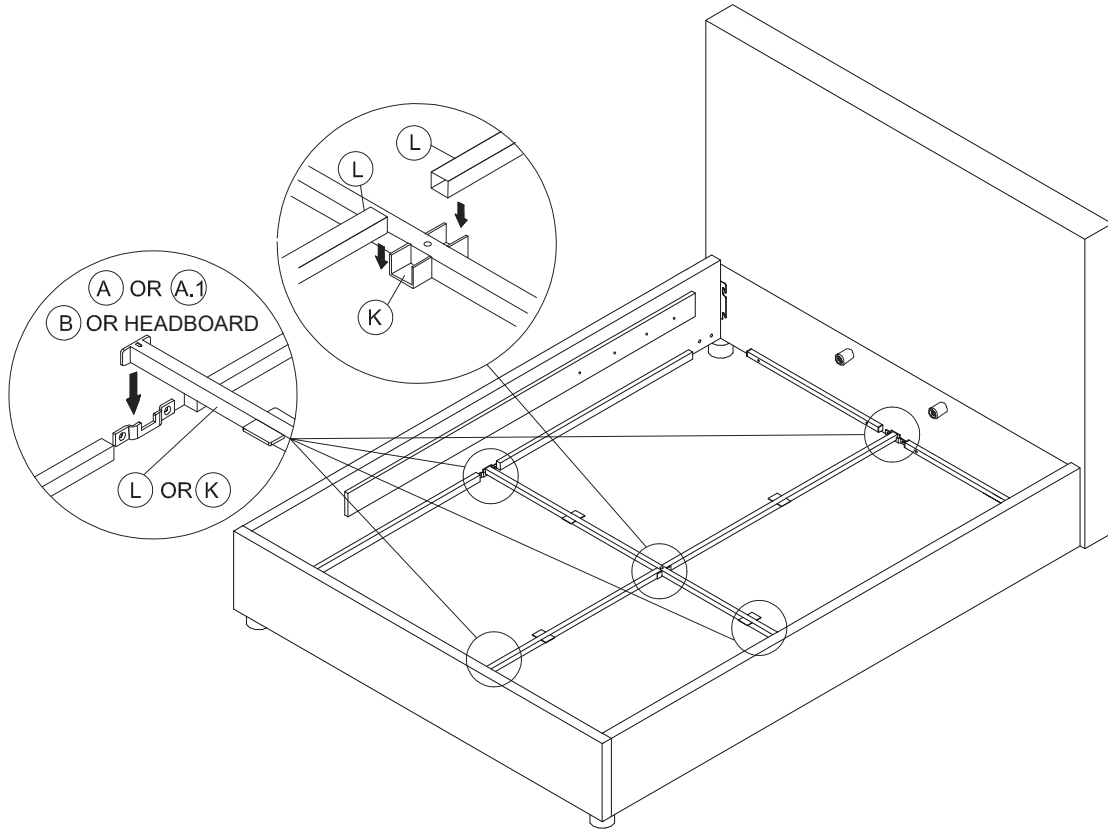
## Step 6.



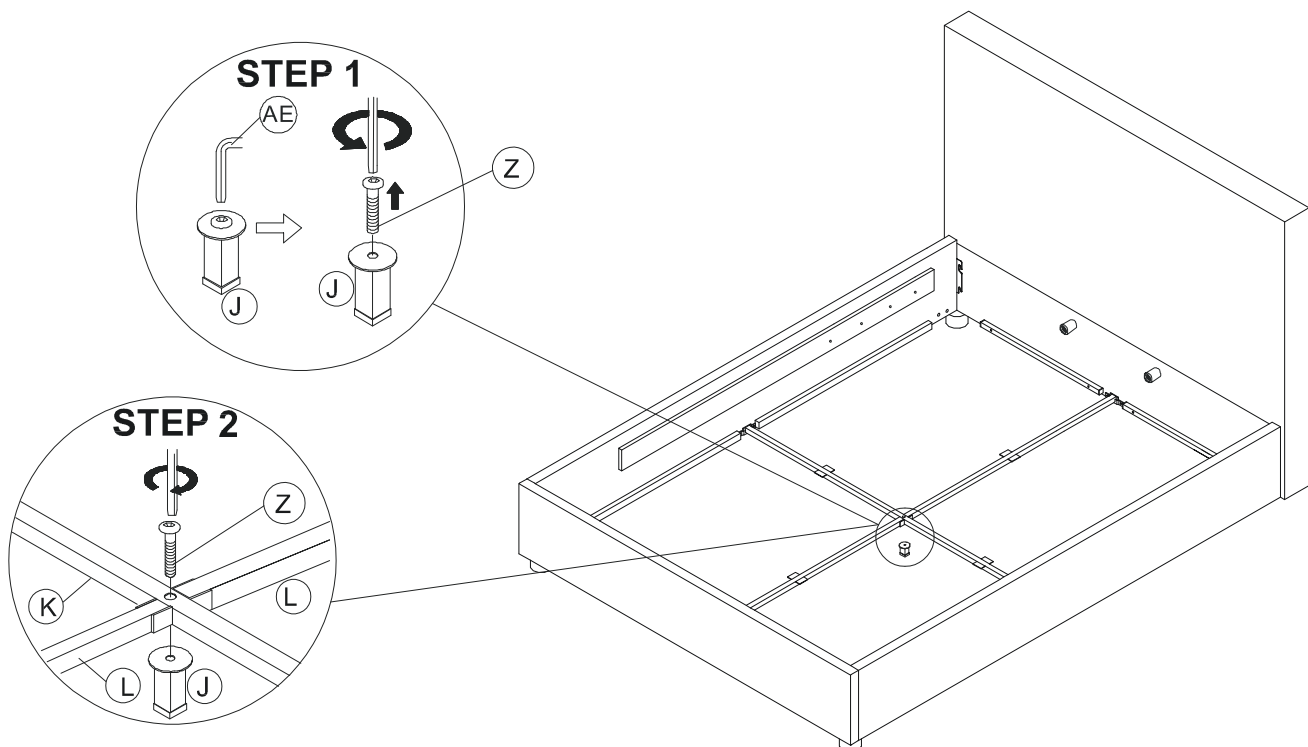
# ALINA GAS LIFT BASE with HEADBOARD QUEEN/KING

24605489/24605762/24605533/24605823  
24605625/24605748/24605670/24605861  
24606318/24606240/24606264/24606363/24606400  
24605526/24605786/24605564/24605878  
24605649/24605779/24605700/24605908  
24606226/24606295/24606370/24606387/24606400

## Step 7.



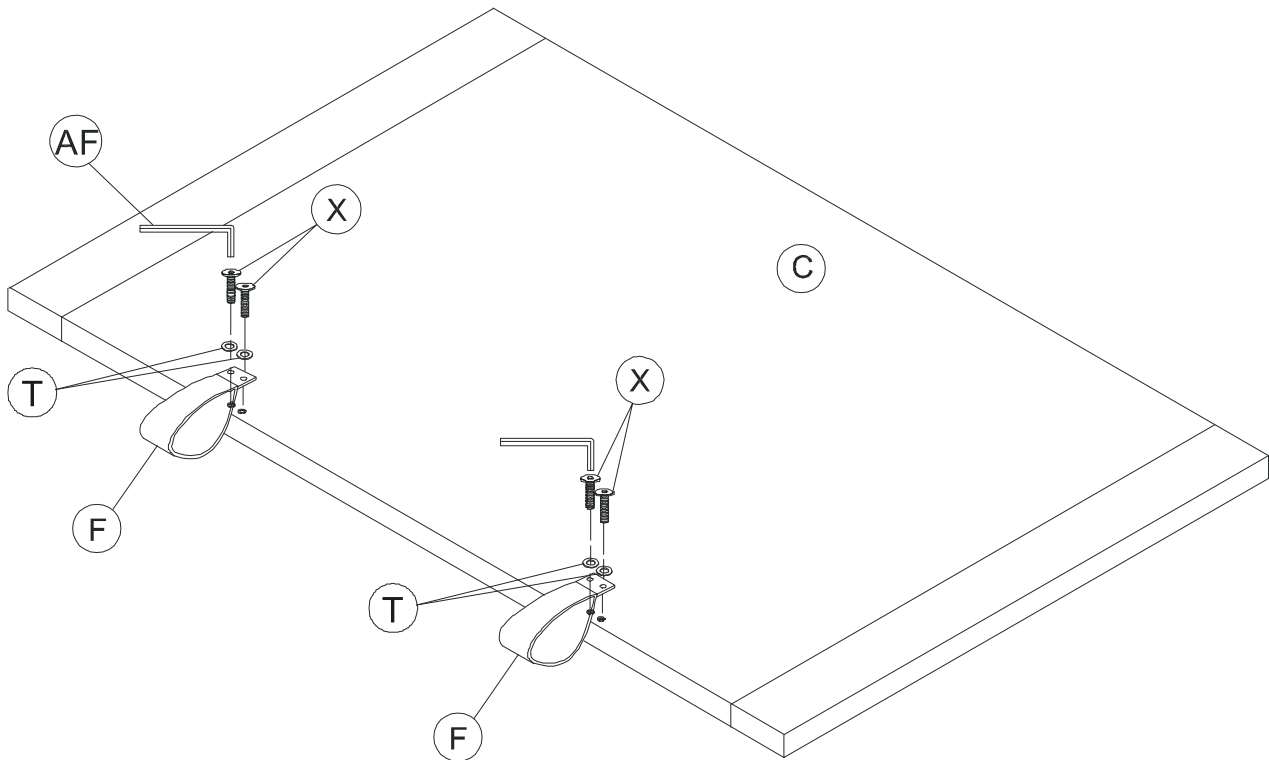
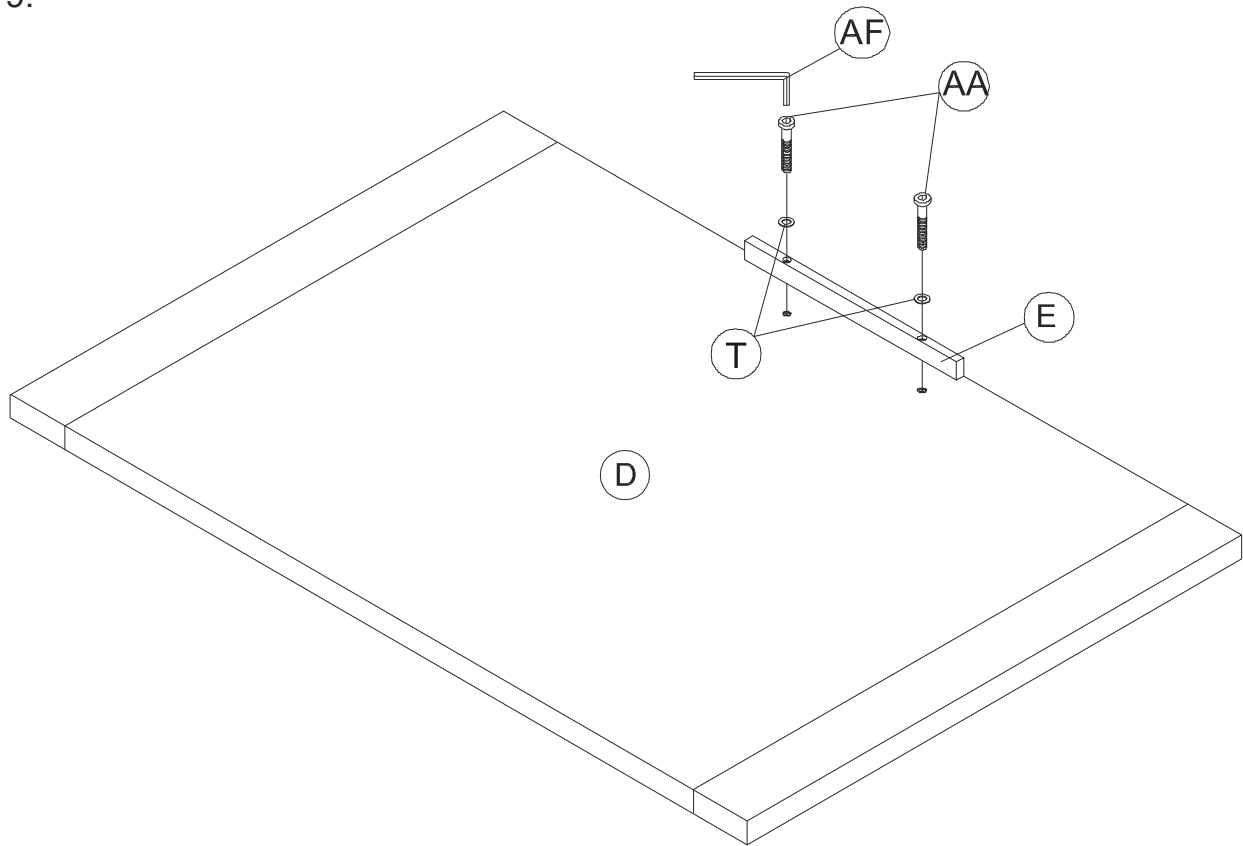
## Step 8.



# ALINA GAS LIFT BASE with HEADBOARD QUEEN/KING

24605489/24605762/24605533/24605823  
24605625/24605748/24605670/24605861  
24606318/24606240/24606264/24606363/24606400  
24605526/24605786/24605564/24605878  
24605649/24605779/24605700/24605908  
24606226/24606295/24606370/24606387/24606400

## Step 9.

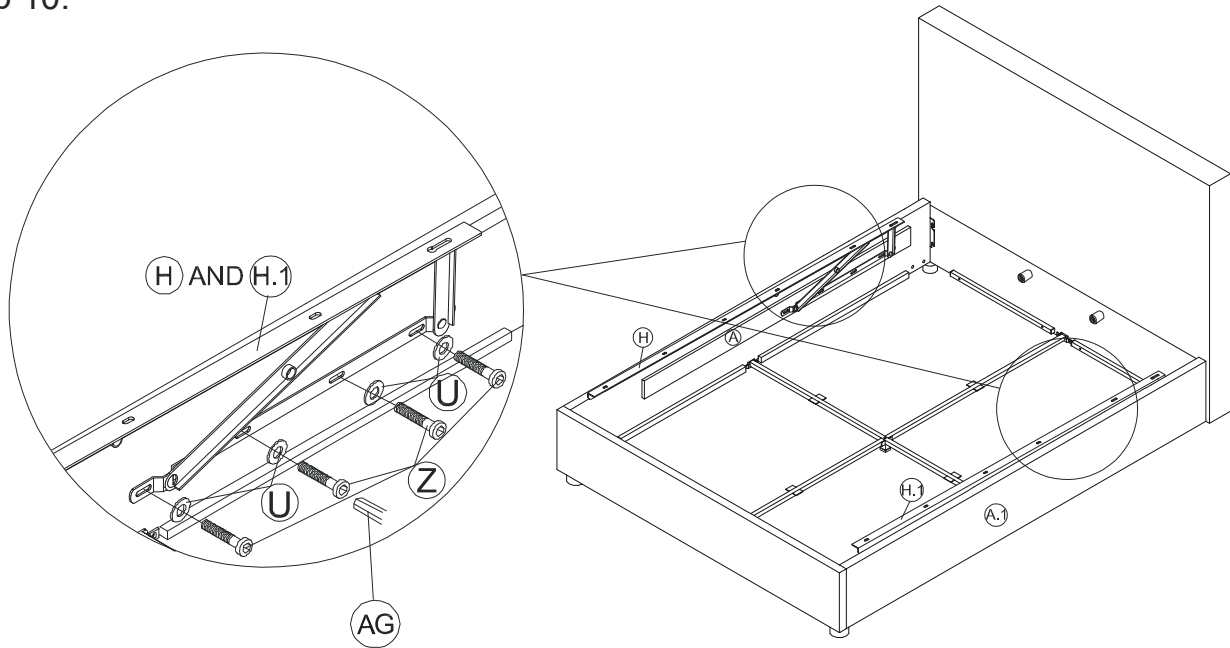




# ALINA GAS LIFT BASE with HEADBOARD QUEEN/KING

24605489/24605762/24605533/24605823  
 24605625/24605748/24605670/24605861  
 24606318/24606240/24606264/24606363/24606400  
 24605526/24605786/24605564/24605878  
 24605649/24605779/24605700/24605908  
 24606226/24606295/24606370/24606387/24606400

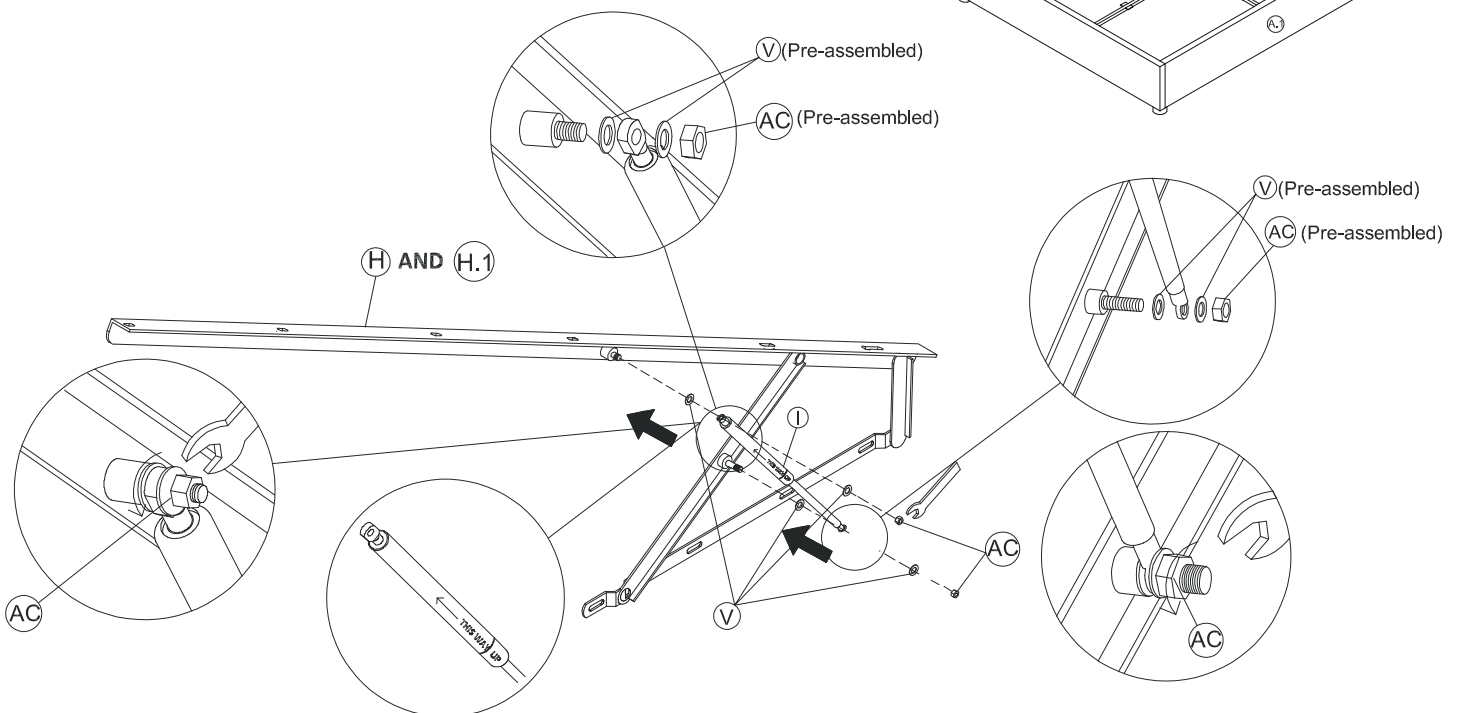
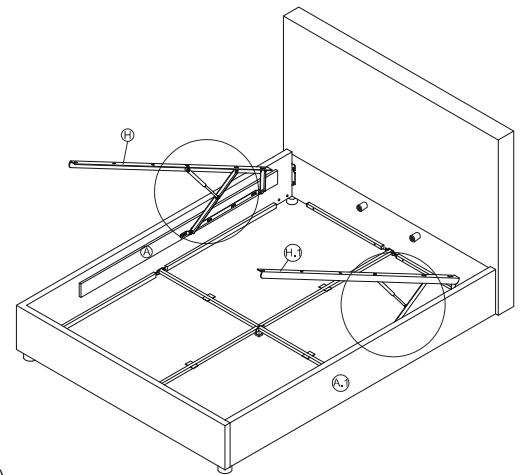
## Step 10.



## Step 11.

NOTE : GAS CYCLINDER 1200N - QUEEN BED  
 GAS CYCLINDER 1400N - KING BED

DO NOT OVER TIGHTEN THE NYLON NUT.

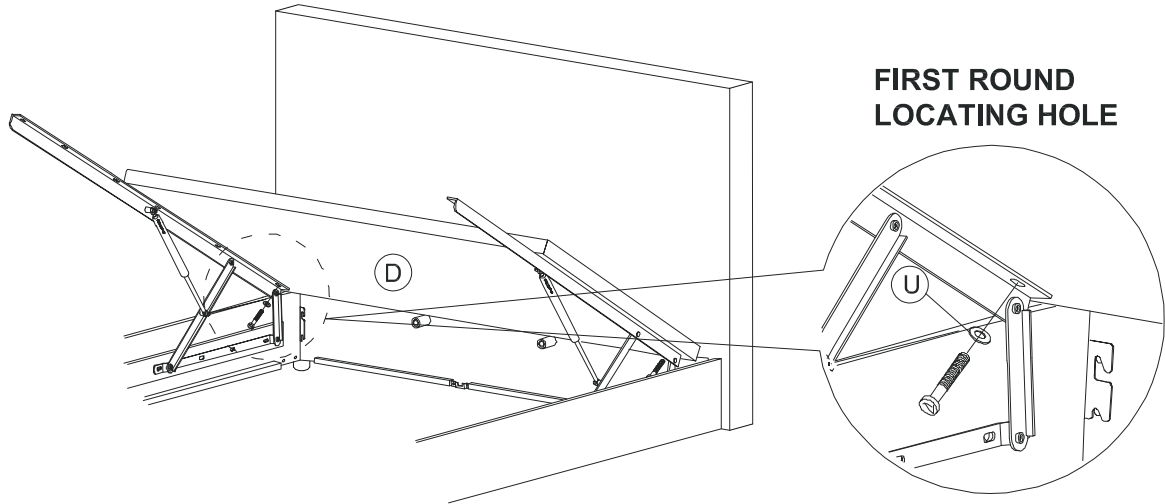


# ALINA GAS LIFT BASE with HEADBOARD QUEEN/KING

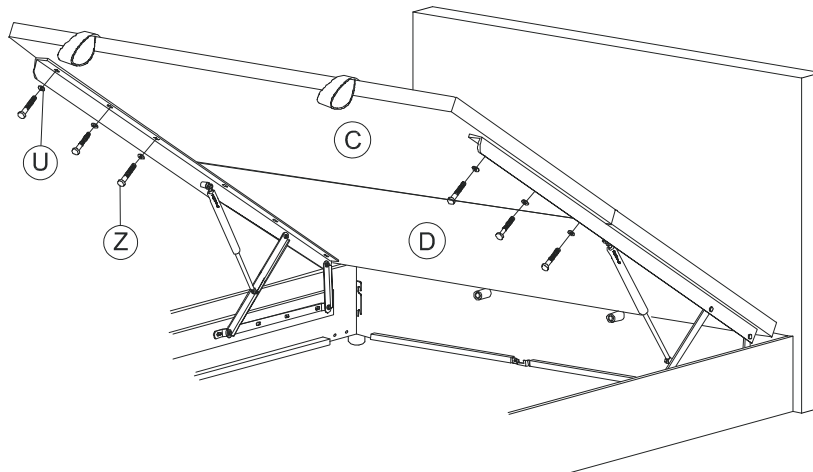
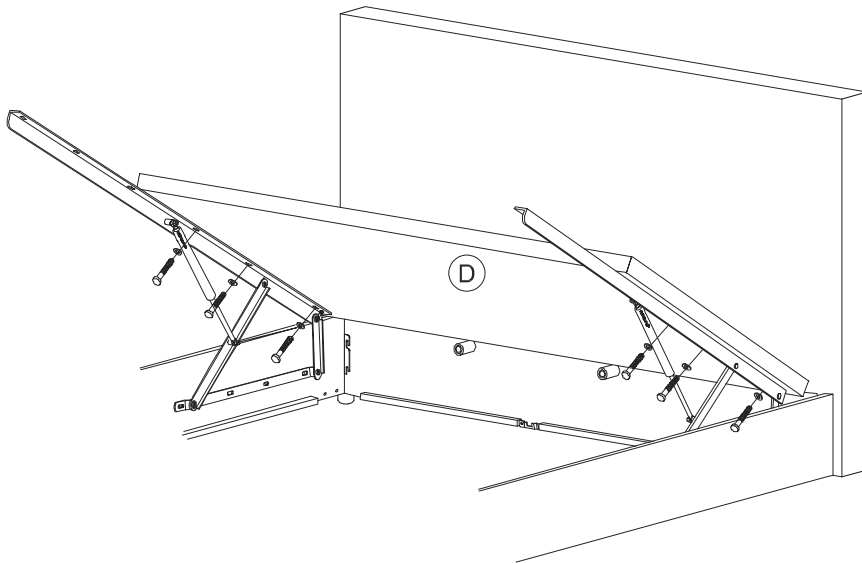
24605489/24605762/24605533/24605823  
24605625/24605748/24605670/24605861  
24606318/24606240/24606264/24606363/24606400  
24605526/24605786/24605564/24605878  
24605649/24605779/24605700/24605908  
24606226/24606295/24606370/24606387/24606400

Step 12.

SCREW THE FIRST HOLE LOOSELY FOR SAFETY &  
TO PREVENT THE LIFT BASE FROM DROPPING DOWN



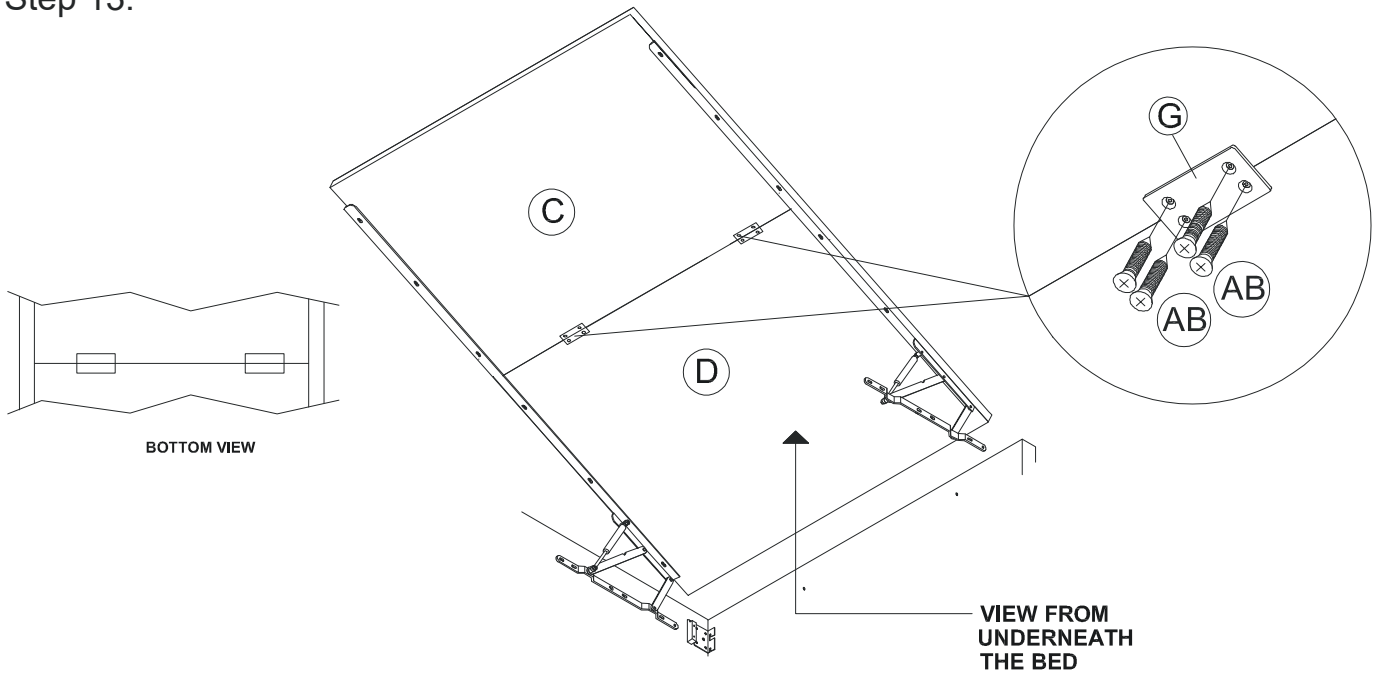
FULLY TIGHTEN ALL OTHERS SCREWS AS SHOWN



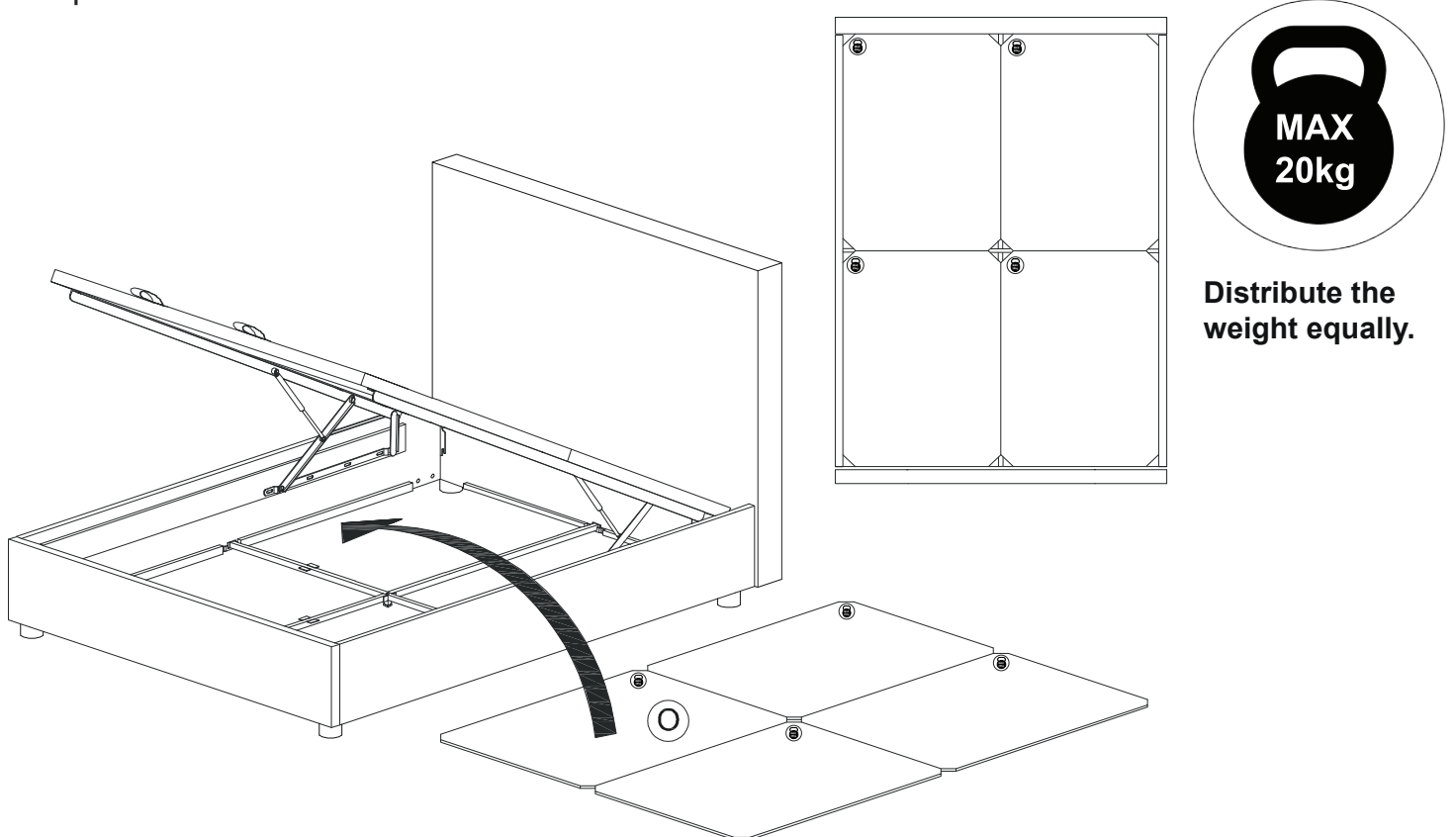
# ALINA GAS LIFT BASE with HEADBOARD QUEEN/KING

24605489/24605762/24605533/24605823  
24605625/24605748/24605670/24605861  
24606318/24606240/24606264/24606363/24606400  
24605526/24605786/24605564/24605878  
24605649/24605779/24605700/24605908  
24606226/24606295/24606370/24606387/24606400

## Step 13.



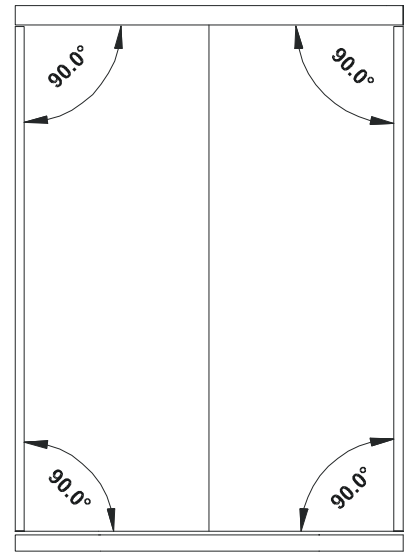
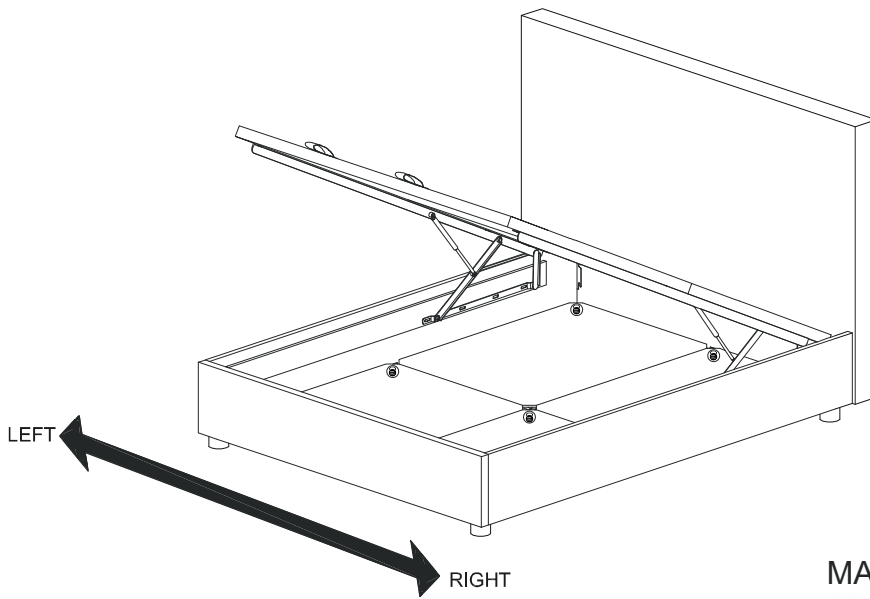
## Step 14.



# ALINA GAS LIFT BASE with HEADBOARD QUEEN/KING

24605489/24605762/24605533/24605823  
24605625/24605748/24605670/24605861  
24606318/24606240/24606264/24606363/24606400  
24605526/24605786/24605564/24605878  
24605649/24605779/24605700/24605908  
24606226/24606295/24606370/24606387/24606400

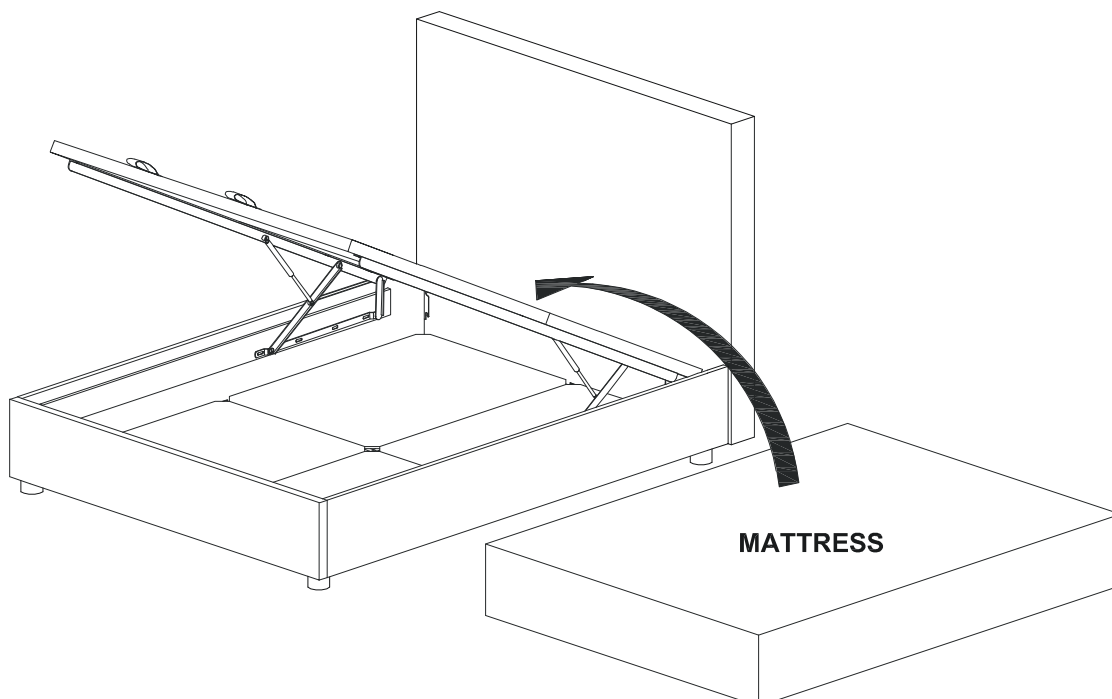
## Step 15.



MAKE SURE THE BED FRAME 4 SIDE ANGLES ARE AT 90 DEGREES BEFORE YOU CLOSING THE LIFT BASE

## Step 16.

THE MAXIMUM MATTRESS WEIGHT IS 60 KG FOR EITHER A KING OR QUEEN MATTRESS

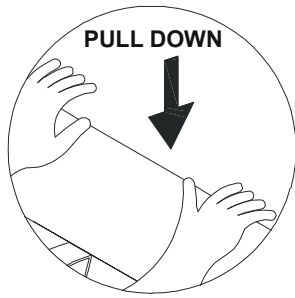
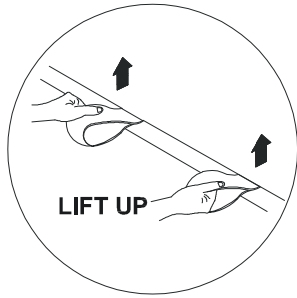


# ALINA GAS LIFT BASE with HEADBOARD QUEEN/KING

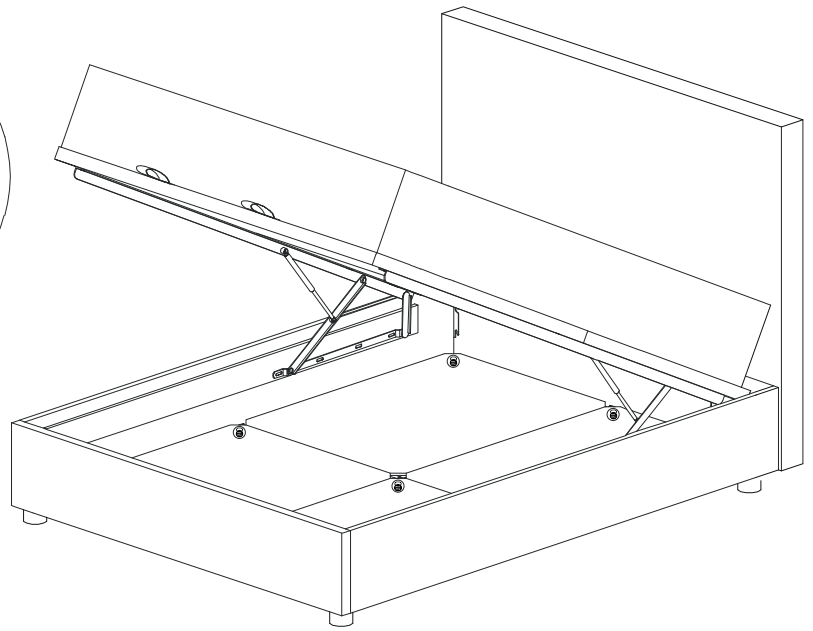
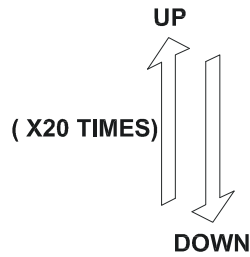
24605489/24605762/24605533/24605823  
24605625/24605748/24605670/24605861  
24606318/24606240/24606264/24606363/24606400  
24605526/24605786/24605564/24605878  
24605649/24605779/24605700/24605908  
24606226/24606295/24606370/24606387/24606400

## Step 17.

THE MATTRESS MUST BE FITTED TO THE BASE  
(DO NOT OPERATE THE LIFT UP MECHANISM WITHOUT THE MATTRESS FITTED  
TO THE BASE)



LIFT UP & DOWN THE LIFT  
UP BASE WITH MATTRESS  
AT LEAST 20 TIMES  
BEFORE USE



ASSEMBLY COMPLETE

