

ALINA GAS LIFT BASE with HEADBOARD DOUBLE

24605496/24605557/24605618
24605663/24606257/24606301/24606394

Thank you for purchasing the Alina Bed. Before you begin to assemble your new piece of furniture, please check to ensure that all hardware and parts have been supplied. This page lists all contents included in the carton(s).

Follow instructions closely as deviation from them may present a possible safety risk and may void your warranty.

It is recommended that assembly is done on a soft surface such as carpet to avoid any damage.

If you experience any problems with your new purchase please contact Freedom Customer Service via www.freedom.com.au (AUS) and www.freedomfurniture.co.nz (NZ)

Care Information

DO

- Vacuum regularly with a soft upholstery attachment. Dirt combined with body moisture can produce a grime discolouration to the fabric. Vacuuming will also remove grit that can also wear away the fabric.
- Follow the upholstery care instructions label attached to the bed.
- Use a professional dry cleaning service at least once a year to keep the fabric looking good. Leave any removable covers on during cleaning to minimise shrinking. Temporary pilling can happen with some fabrics. This isn't considered a fault and can be removed using a de-piling machine.

DON'T

- Don't place the fabric in direct sunlight or near heaters as they can fade and damage the fabric. Use curtains and blinds to protect your furniture from direct sunlight through windows.
- Don't pull loose threads, cut them instead.

HARDWARE (Supplied for Base and Headboard)



SPRING WASHER
M6

8xPart R



SPRING WASHER
M8

2xPart S



WASHER M6

28 xPart T



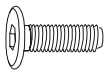
WASHER M8

10 xPart U



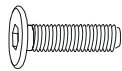
NYLON WASHER
(2.5mm)
(Pre-attached)

8xPart V



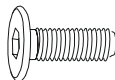
M6 x 30mm

8xPart W



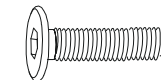
M6 x 45mm

22xPart X



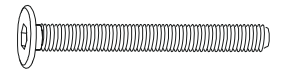
M8 x 30mm

8xPart Y



M8 x 40mm

9xPart Z



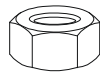
M6 x 65mm

2xPart AA



RATTAN SCREW
M4 x 25mm

8xPart AB



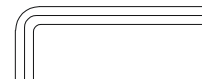
NYLON NUT
(Pre-attached)

4xPart AC



CAP NUT M8

2xPart AD



ALLEN KEY
M8

1xPart AE



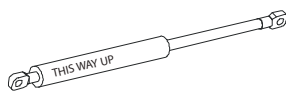
ALLEN KEY
M6

1xPart AF



SPANAR
M8

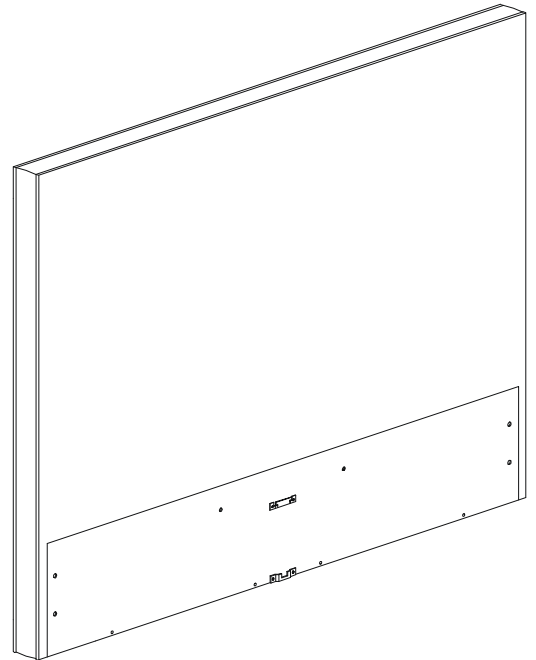
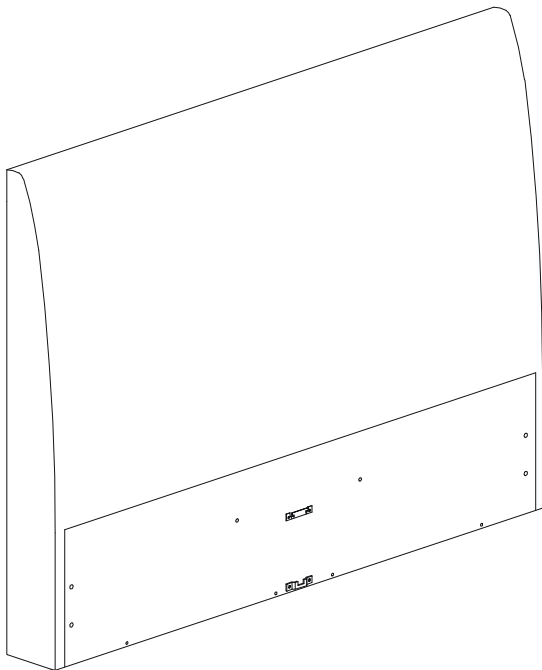
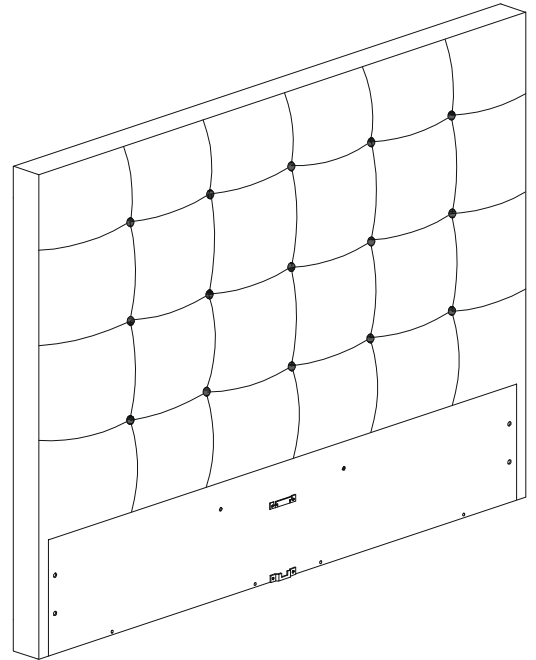
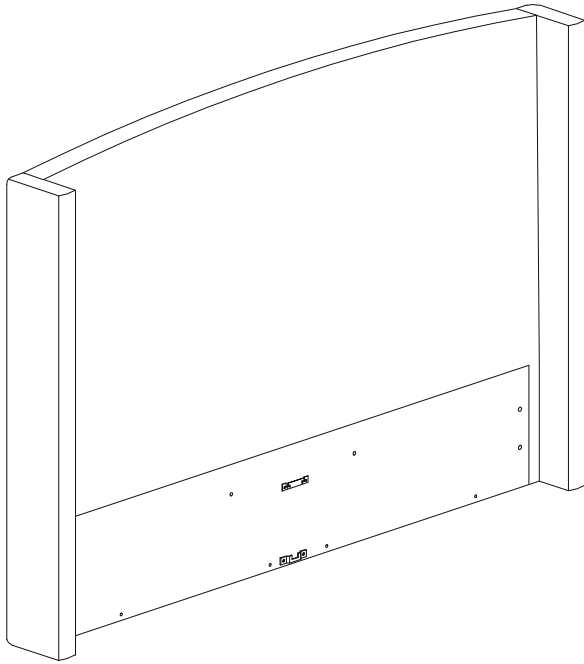
1 x Part AG



DOUBLE (1100N)

2 x Part I

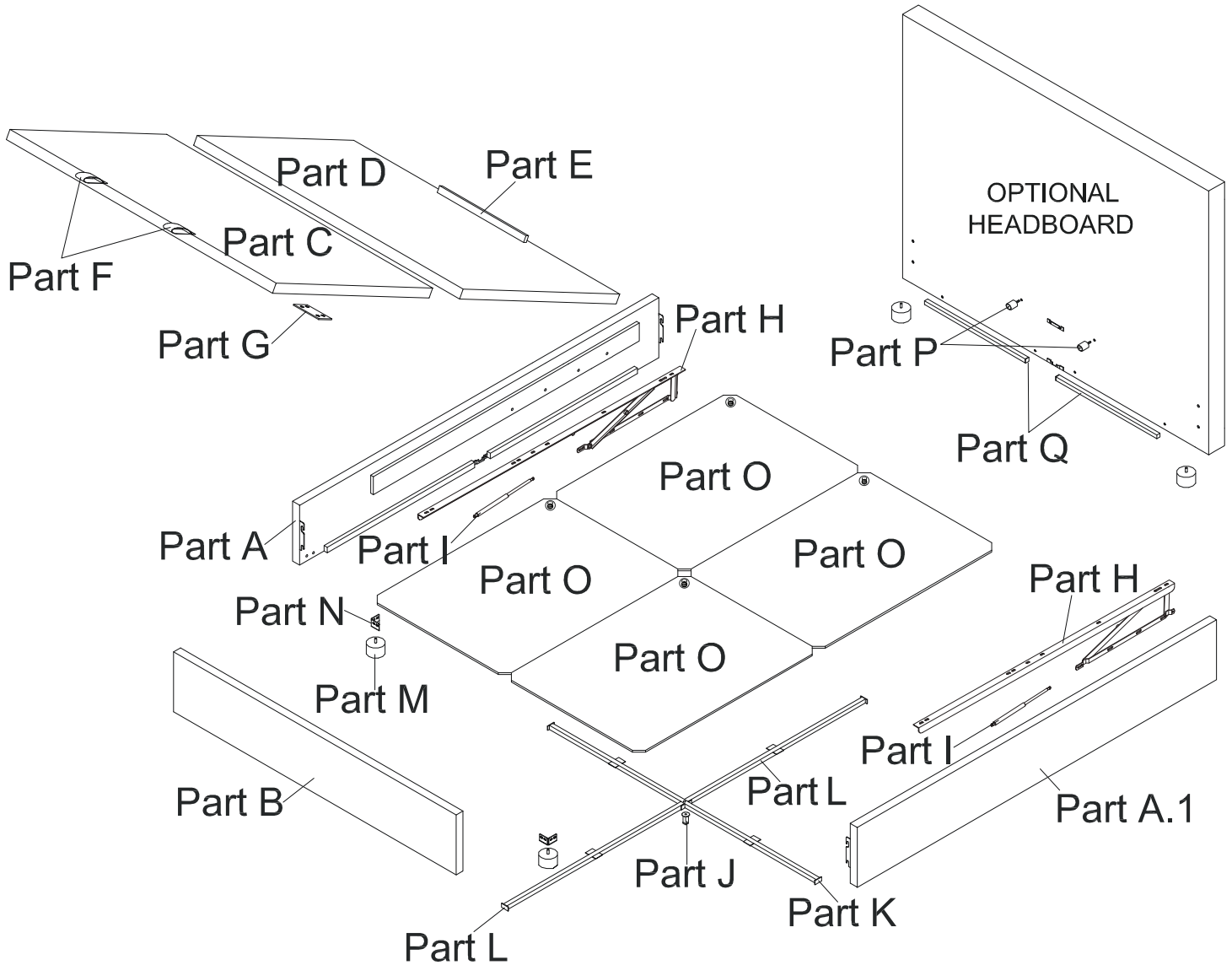
ALINA STANDARD HEADBOARD



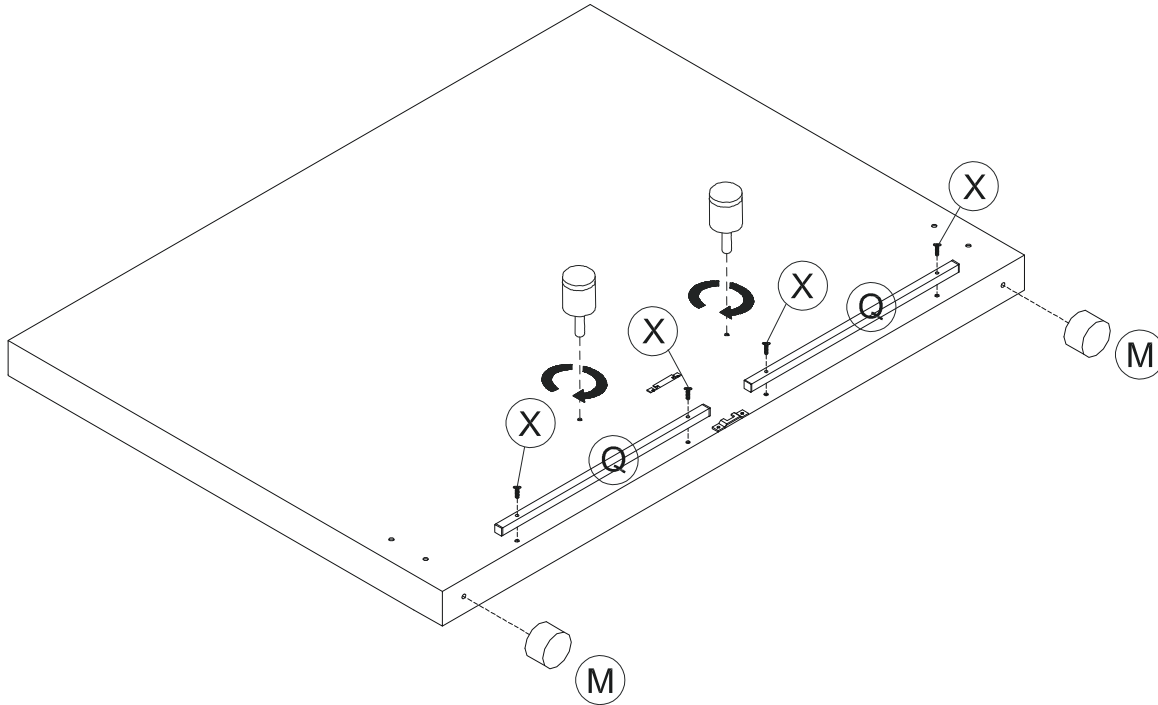
ALINA GAS LIFT BASE with HEADBOARD DOUBLE

224605496/24605557/24605618
24605663/24606257/24606301/24606394

ALINA GAS LIFT BASE with HEADBOARD

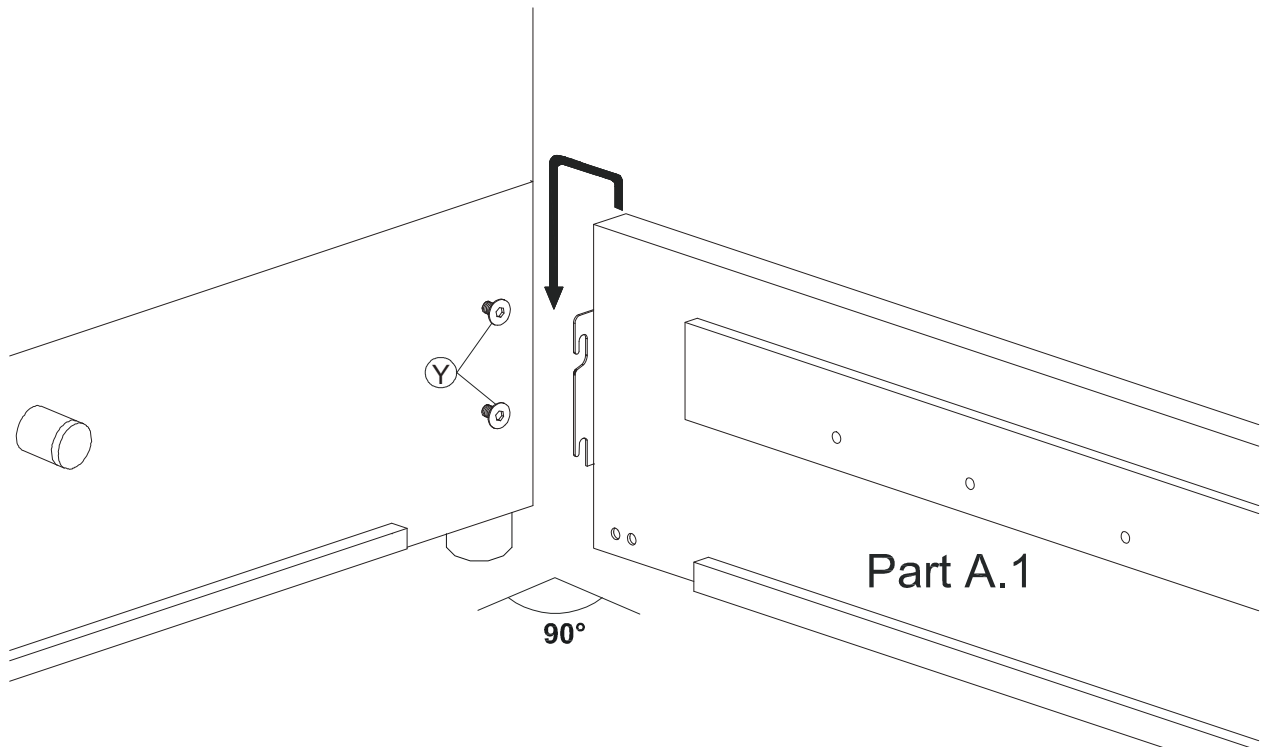


Step 1.

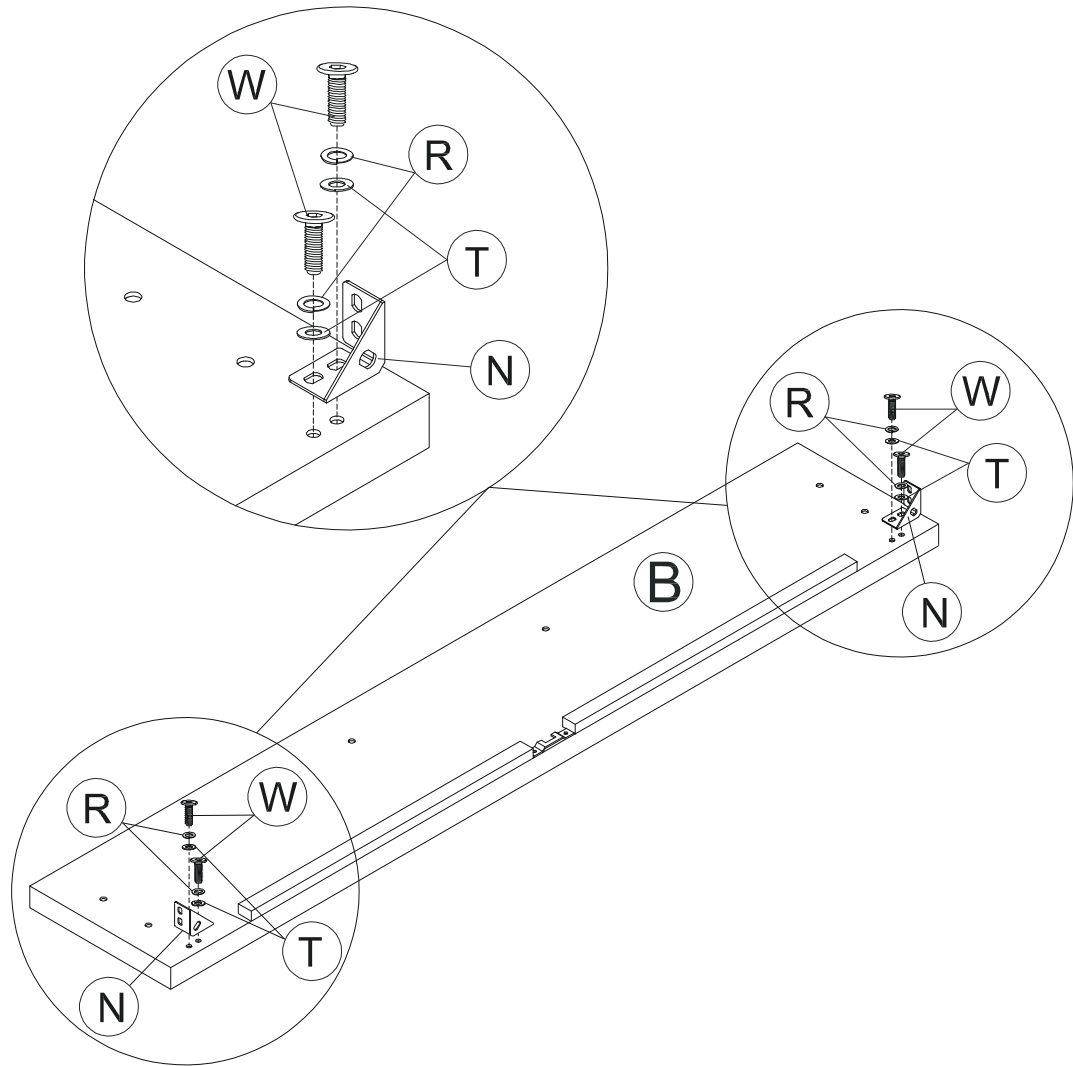


Step 2.

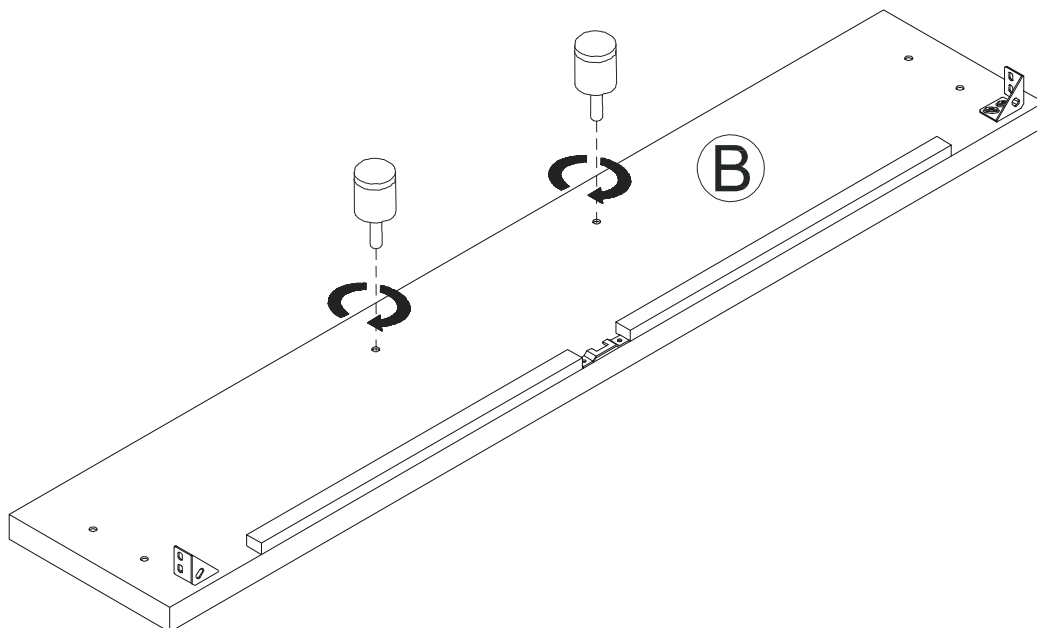
NOTE : TO INCREASE THE LONGEVITY, TIGHTEN BOLTS REGULARLY



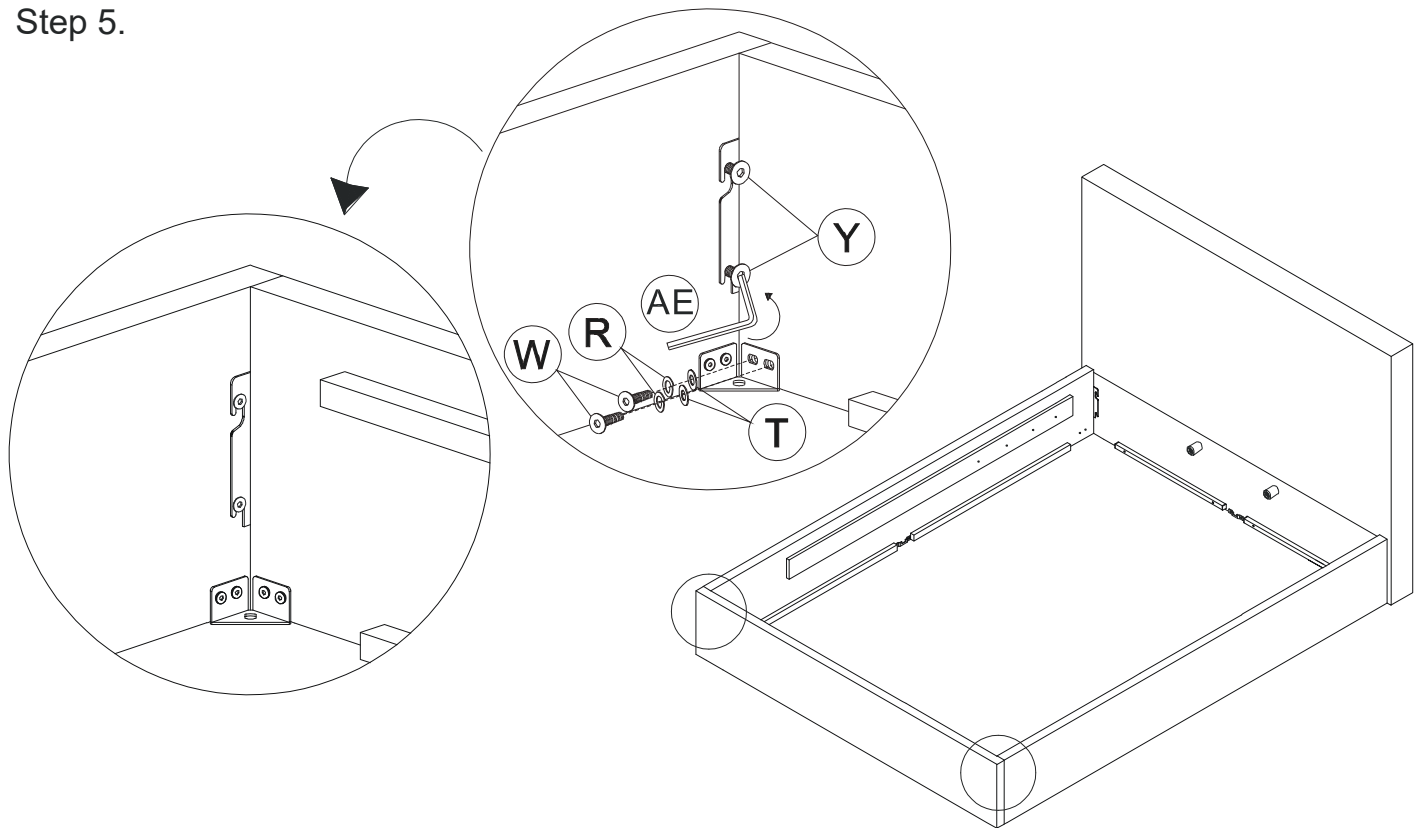
Step 3.



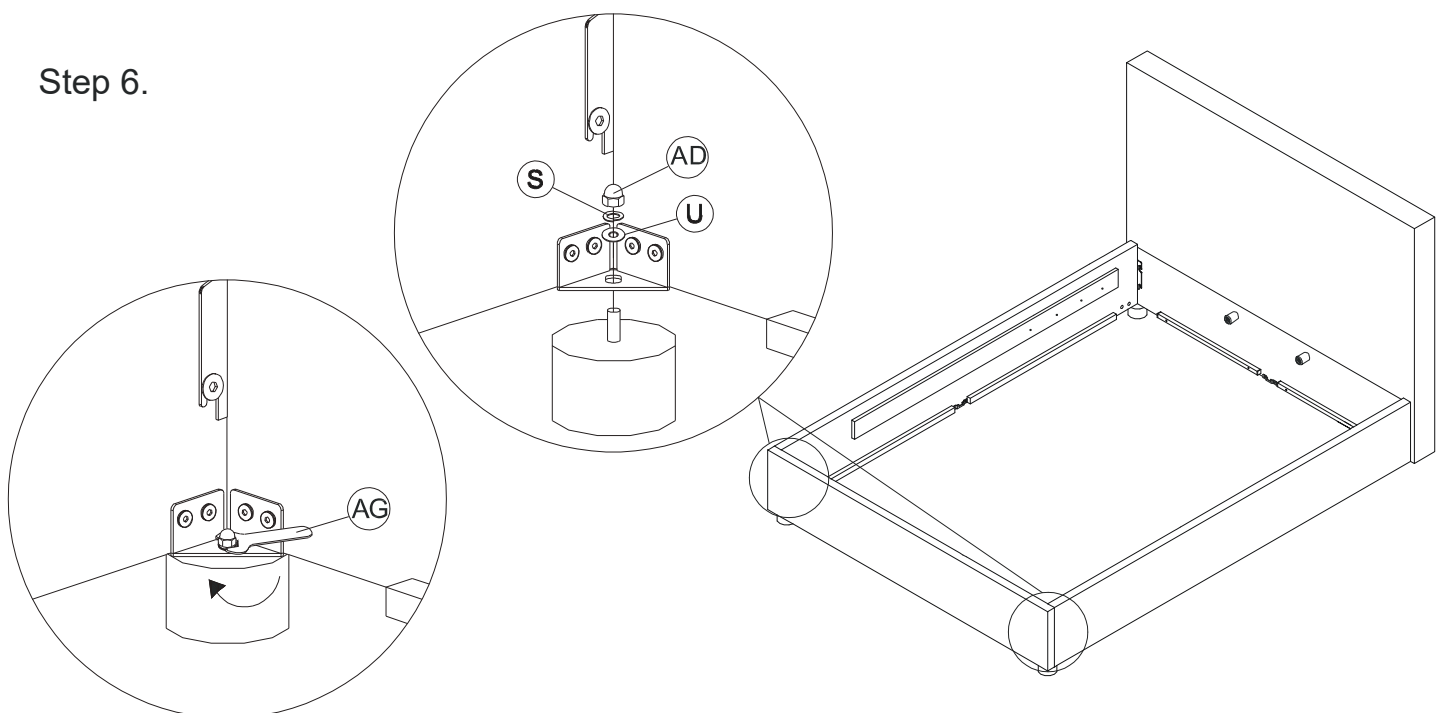
Step 4.



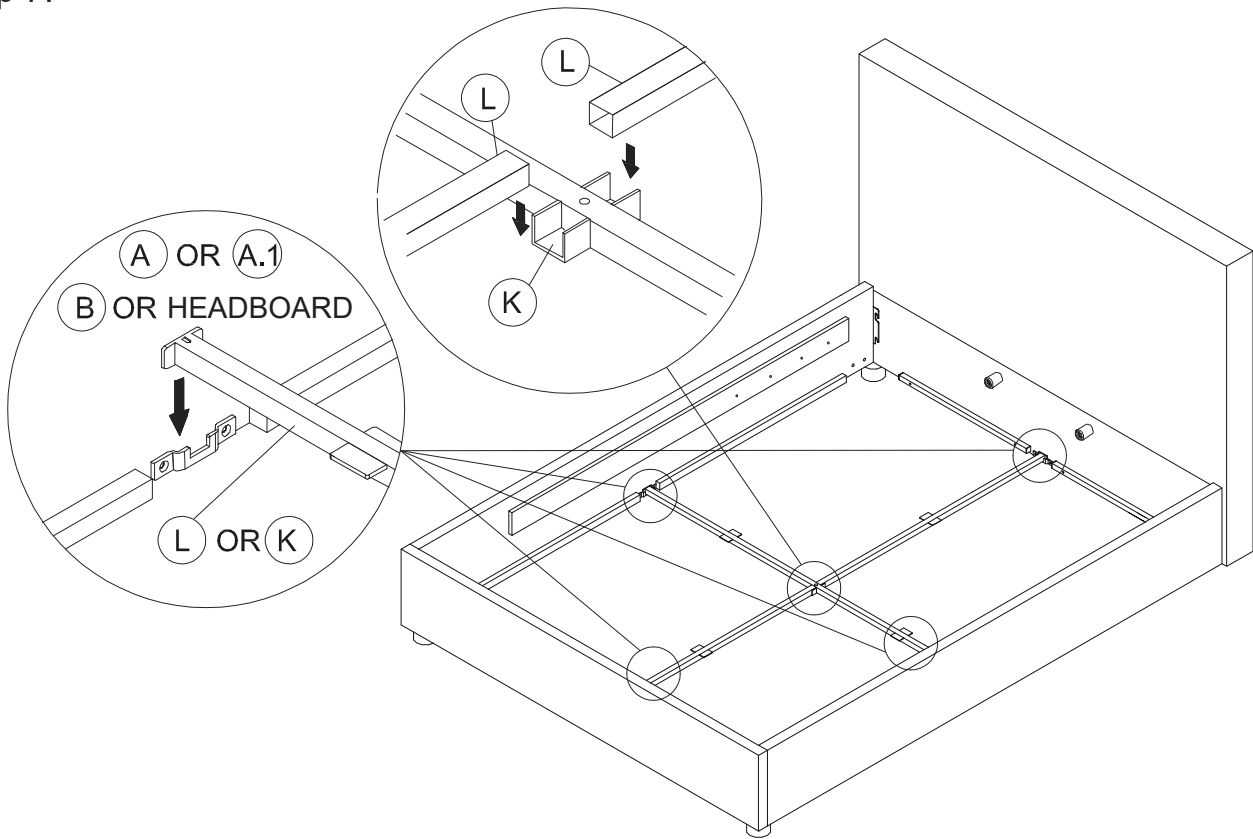
Step 5.



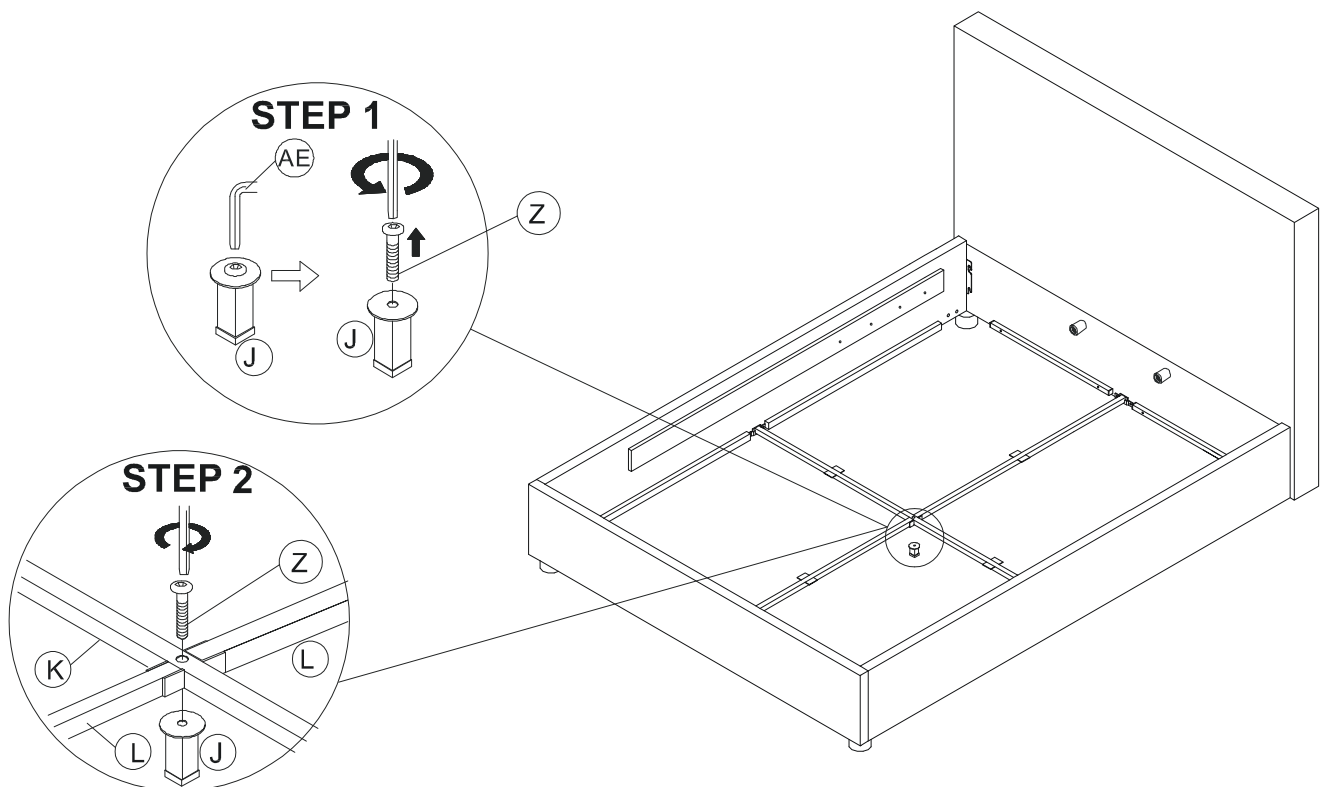
Step 6.



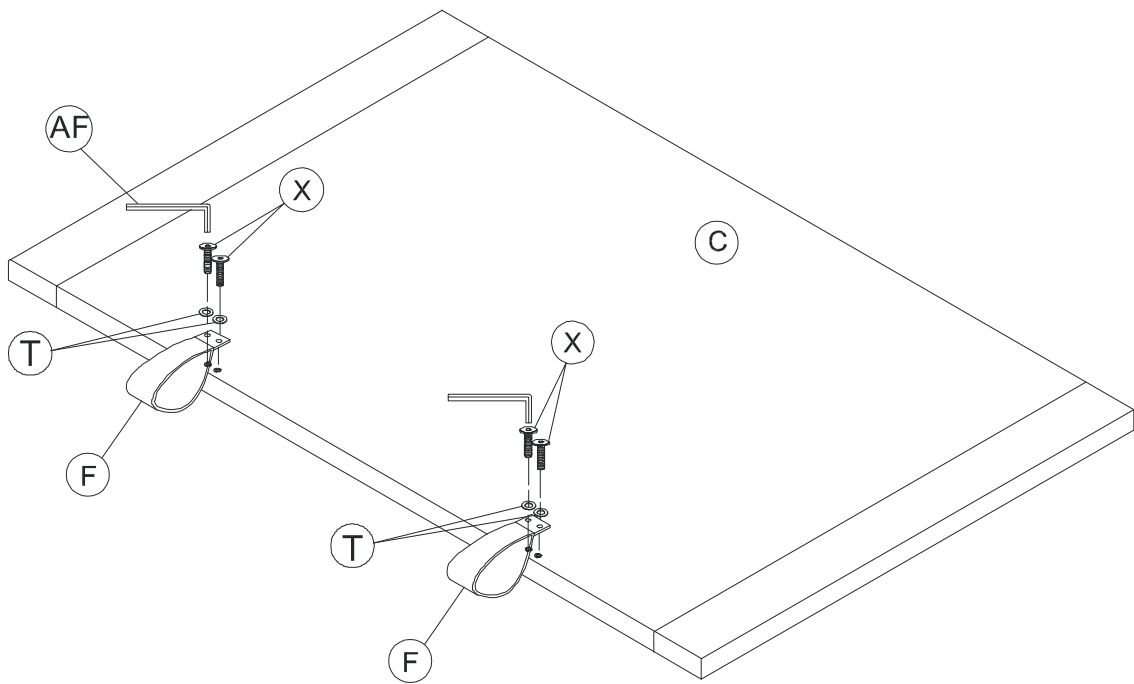
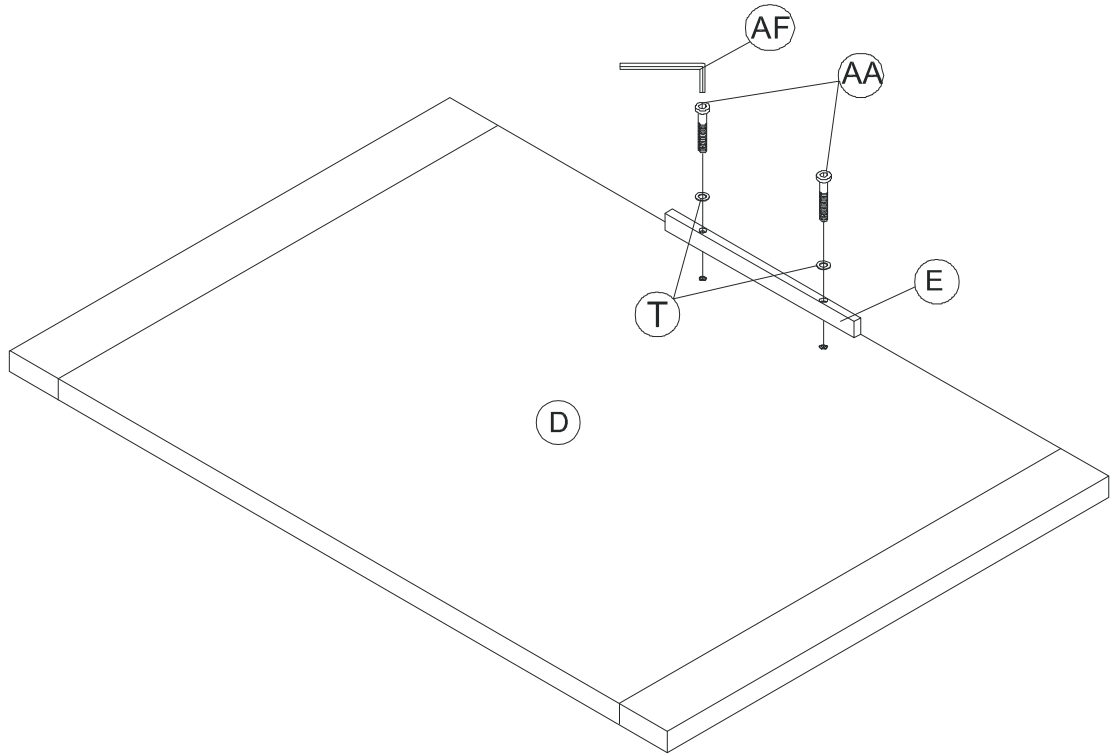
Step 7.



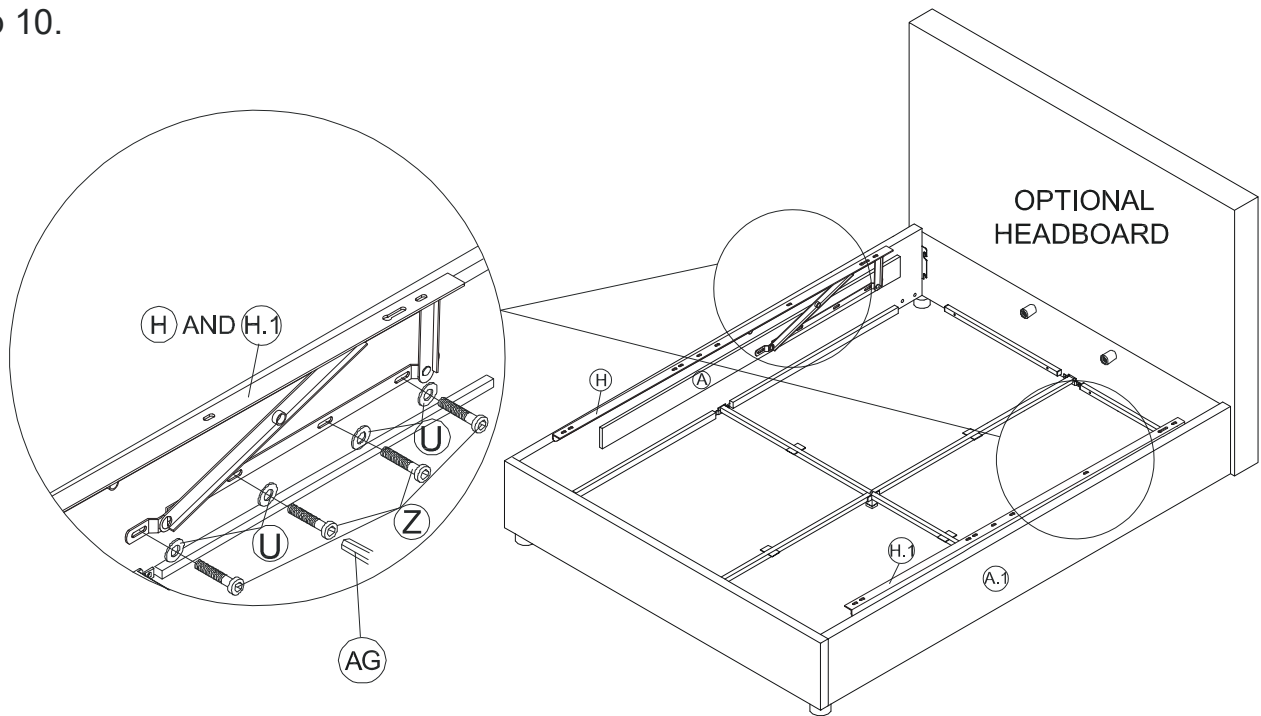
Step 8.



Step 9.

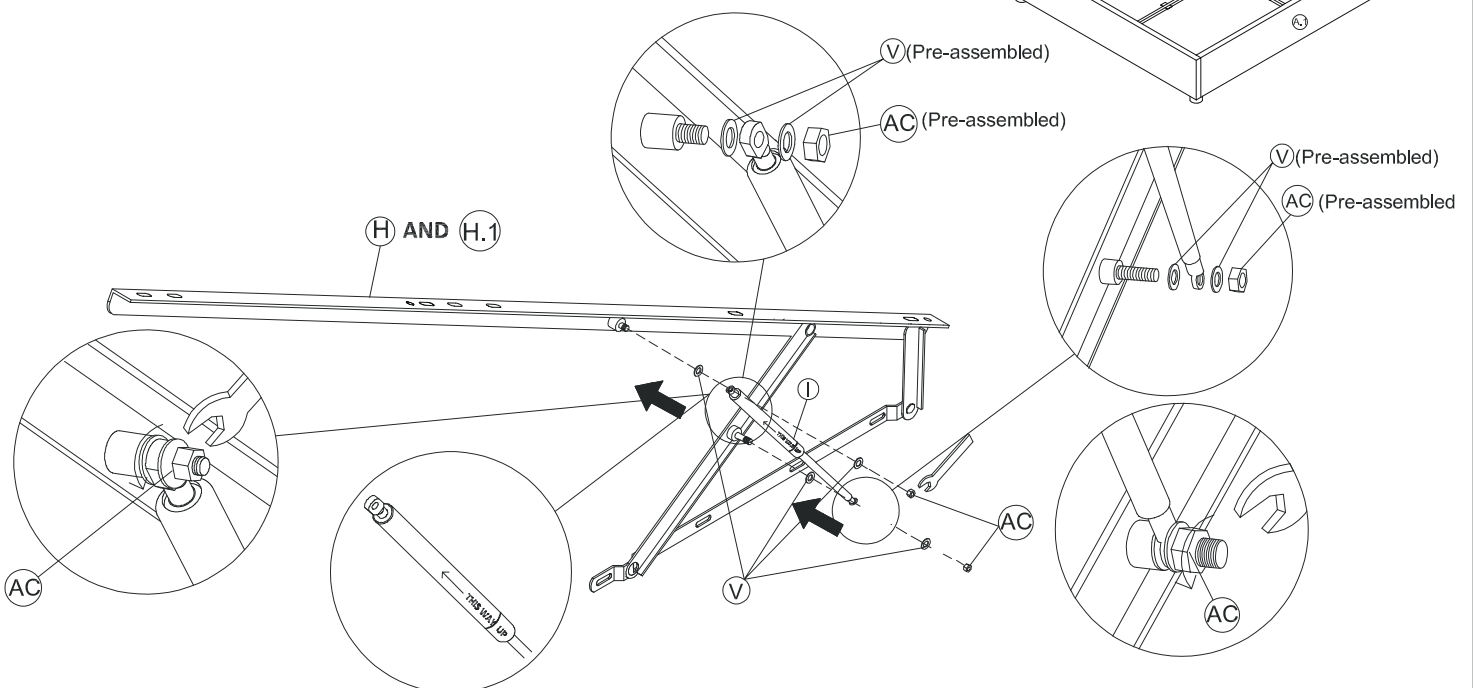
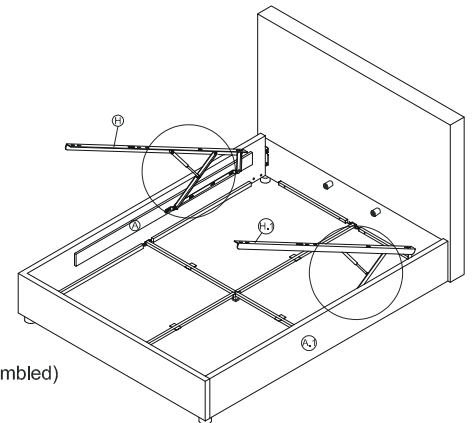


Step 10.



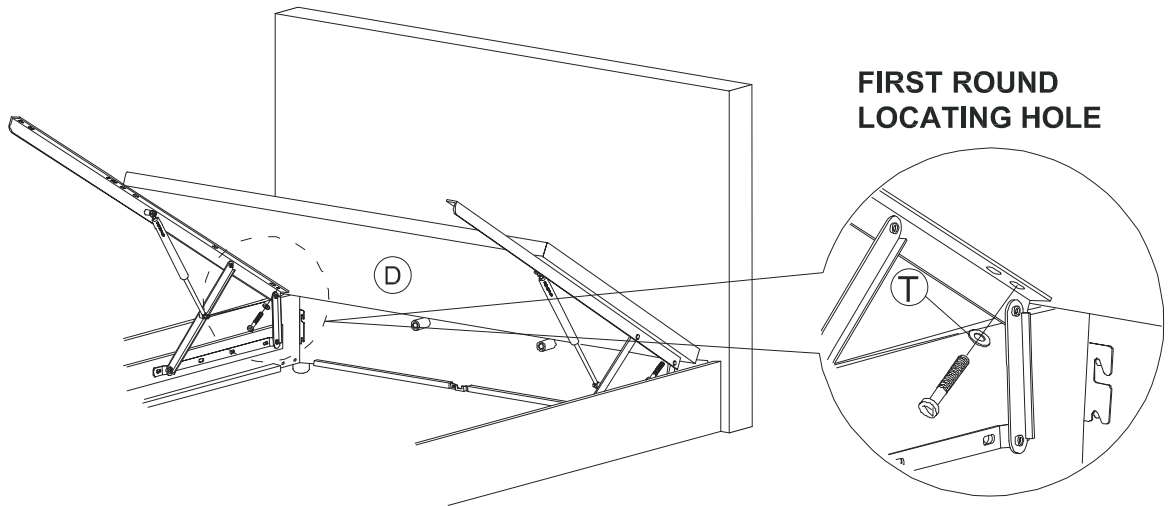
Step 11.

NOTE : GAS CYLINDER 1100N - DOUBLE BED
DO NOT OVER TIGHTEN THE NYLON NUT.

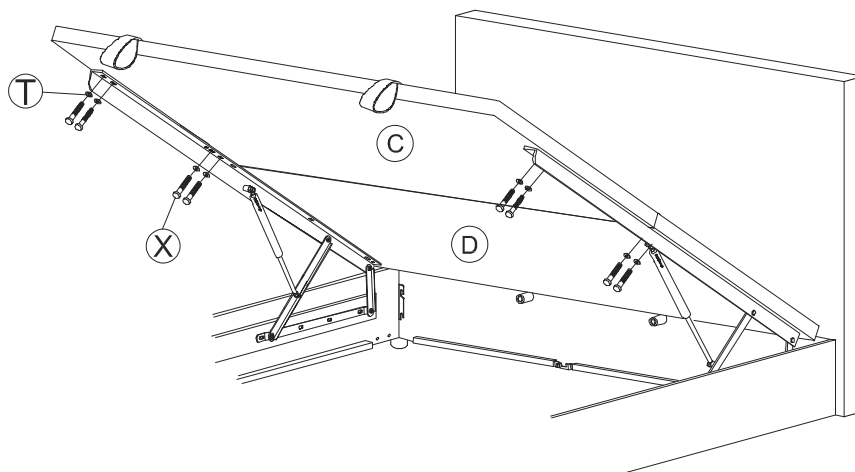
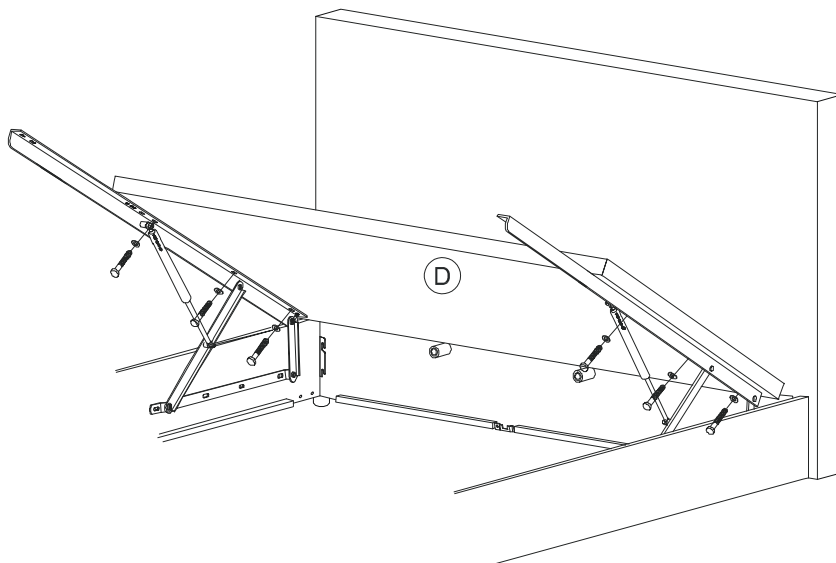


Step 12.

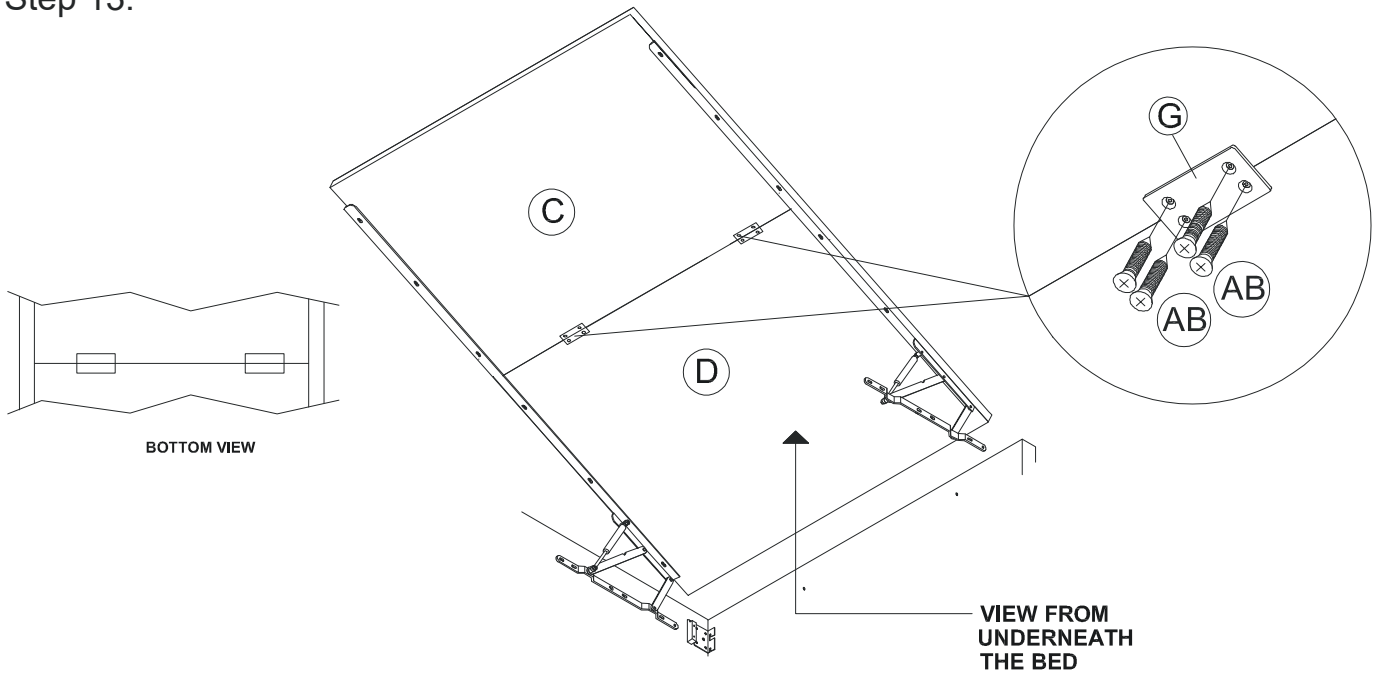
SCREW THE FIRST HOLE LOOSELY FOR SAFETY &
TO PREVENT THE LIFT BASE FROM DROPPING DOWN



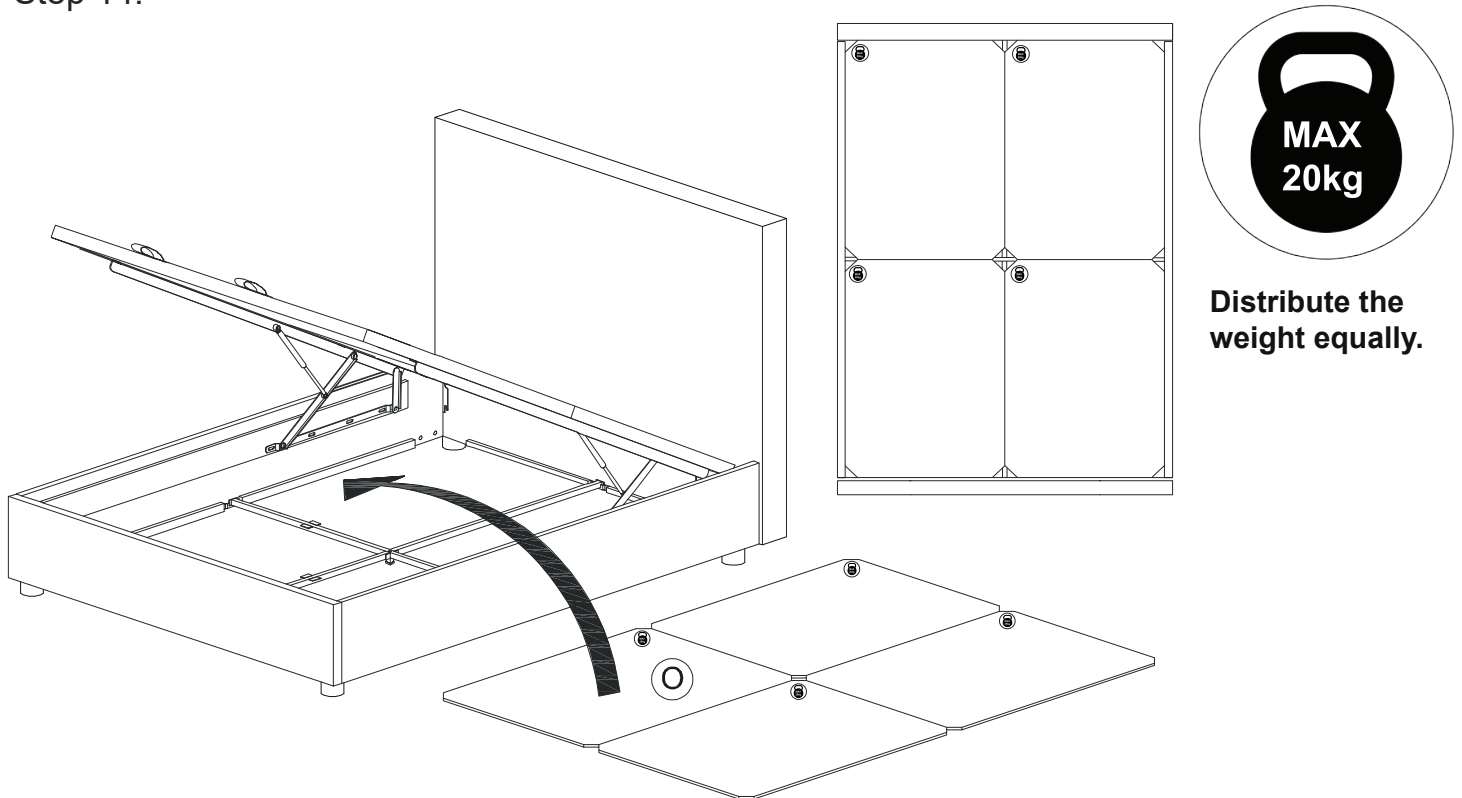
FULLY TIGHTEN ALL OTHERS SCREWS AS SHOWN



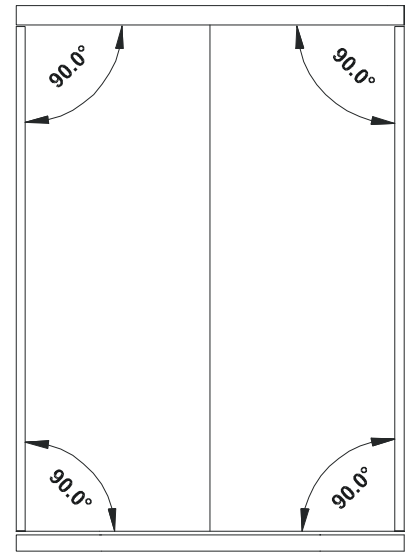
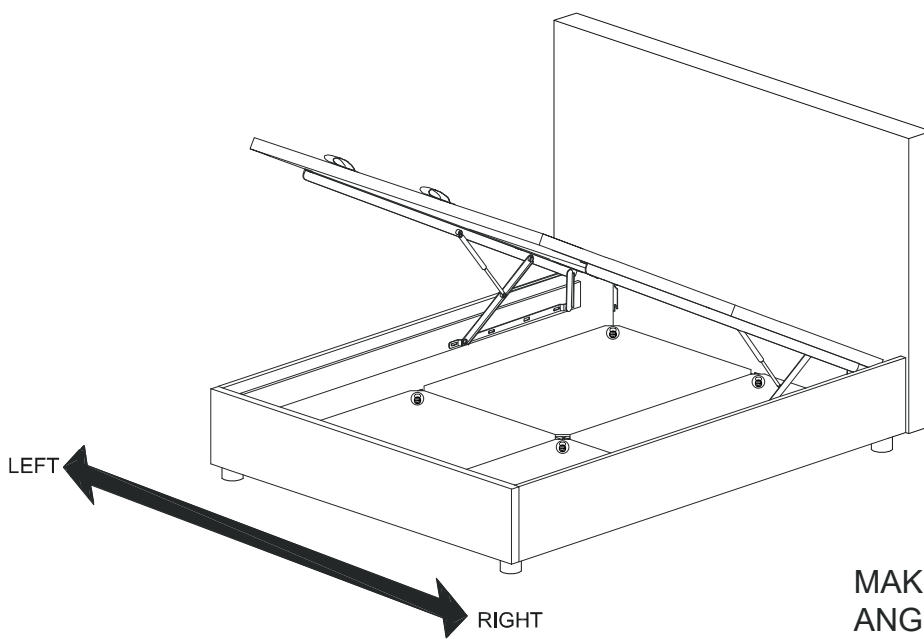
Step 13.



Step 14.



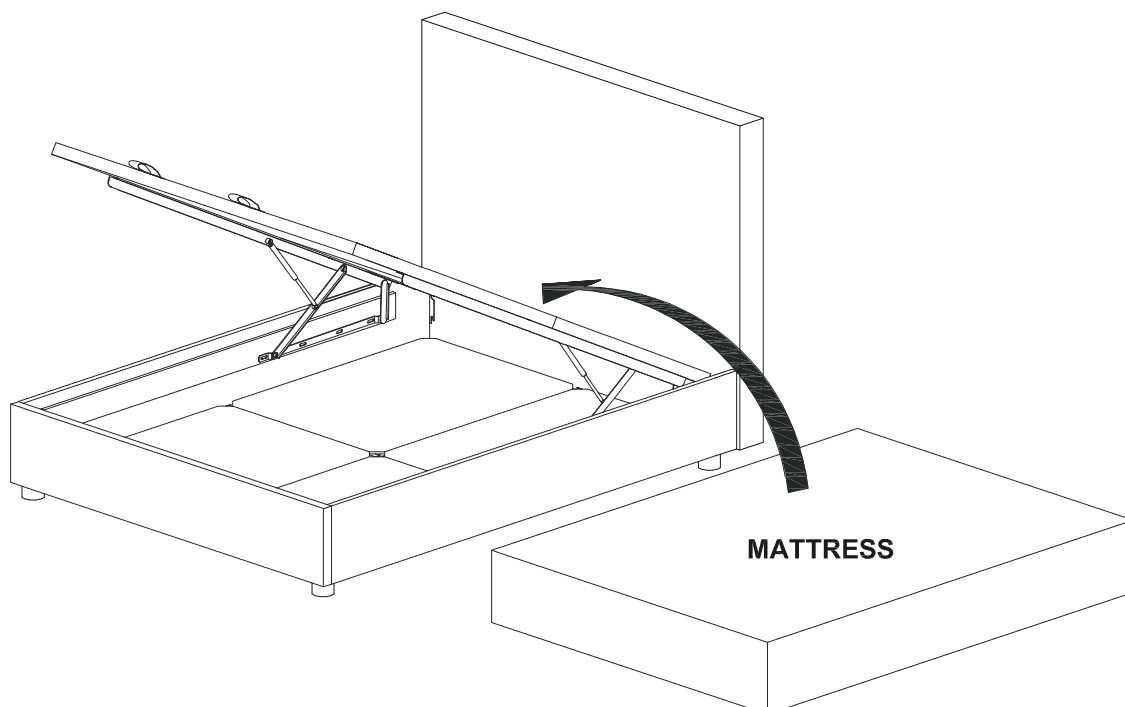
Step 15.



MAKE SURE THE BED FRAME 4 SIDE ANGLES ARE AT 90 DEGREES BEFORE YOU CLOSING THE LIFT BASE

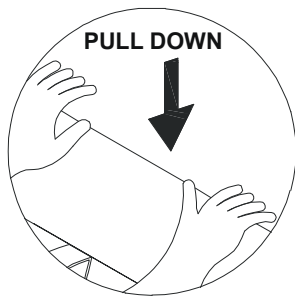
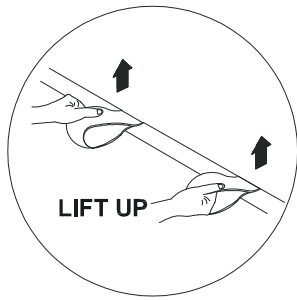
Step 16.

THE MAXIMUM MATTRESS WEIGHT IS 60 KG FOR EITHER A KING OR QUEEN MATTRESS

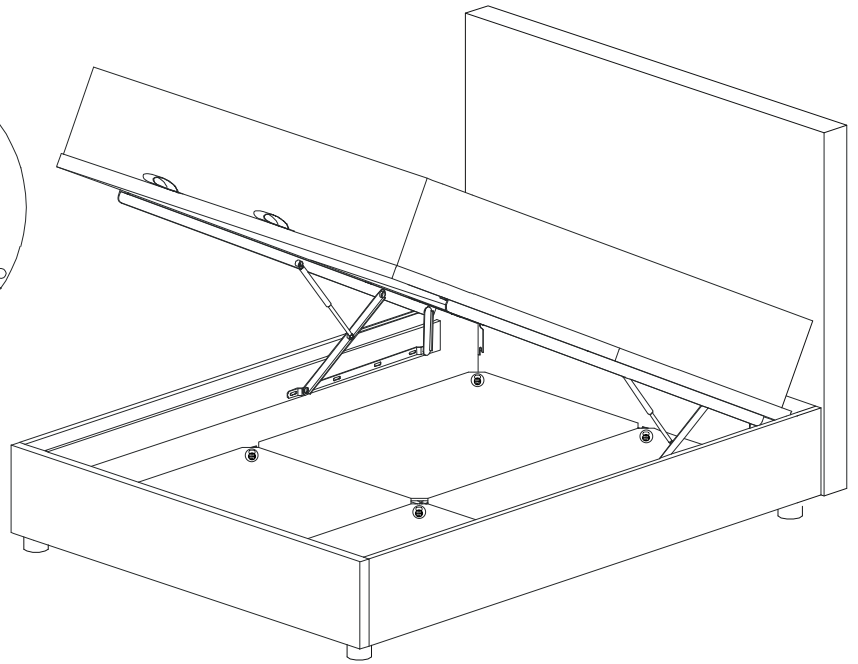
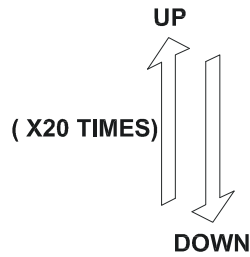


Step 17.

THE MATTRESS MUST BE FITTED TO THE BASE
(DO NOT OPERATE THE LIFT UP MECHANISM WITHOUT THE MATTRESS FITTED
TO THE BASE)



LIFT UP & DOWN THE LIFT
UP BASE WITH MATTRESS
AT LEAST 20 TIMES
BEFORE USE



ASSEMBLY COMPLETE

