

AMELIA SIDE TABLE GREY

24608657

Thank you for purchasing the Amelia Side Table Grey. This page lists all contents included in the carton(s).

Follow care instructions closely to avoid may present a possible risk and may void your warranty.

It is recommended that assembly is done on a soft surface such as carpet to avoid any damage.

If you experience any problems with your new purchase, please contact Customer Service via the website www.freedom.com.au or www.freedomfurniture.co.nz

Care Information

Use tablecloths, table runners and coasters to help protect surfaces from scratching.

Dust once a week using a soft cloth or similar duster.

Only use Freedom recommended care products as many supermarket polishes and waxes contain high levels of silicon and petroleum distillate which can damage the surface.

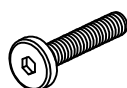
Polish your furniture every 3 to 6 months, making sure the surface is free from dust before you start.

Avoid placing hot or wet items directly on the surface as they can leave marks which are difficult to remove.

Avoid direct sunlight, as this will cause colour change. If the furniture is in direct sunlight, move items like vases around to avoid spotting.

Avoid applying too much polish as this will build up and need to be removed with a wood-cleaning product.

Hardware (Supplied)



(A) x 9
M6x30



(B) x 9
Ø16



(C) x 10
Ø13

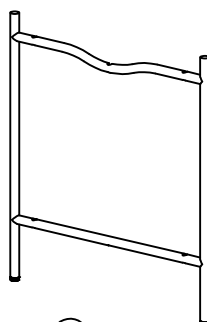


(D) x 1
M4

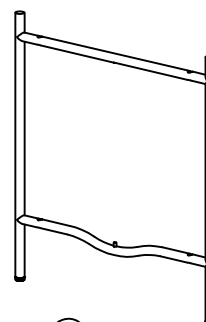
Parts



① x 2



② x 1

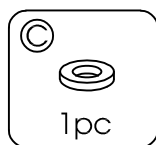
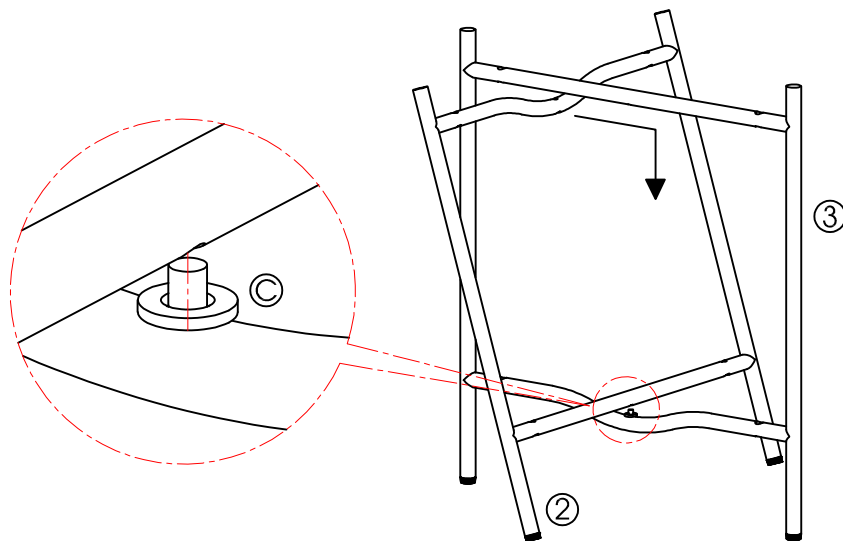


③ x 1

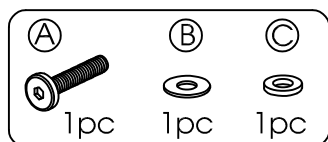
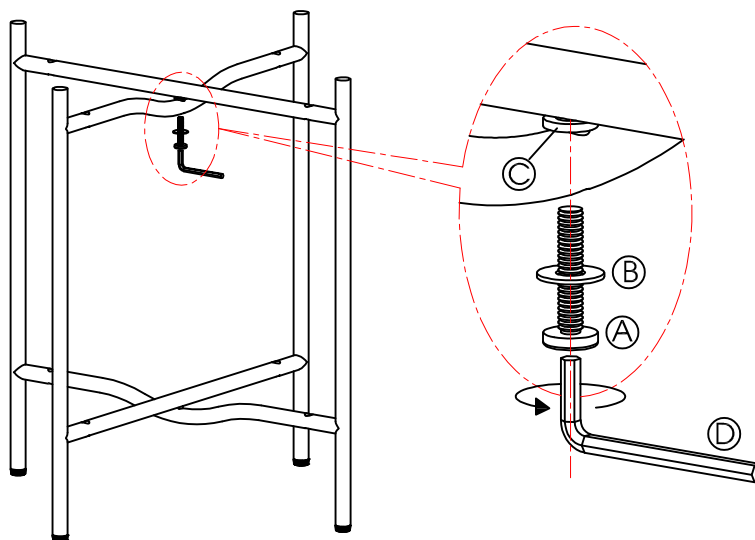
AMELIA SIDE TABLE GREY

24608657

Step 1.

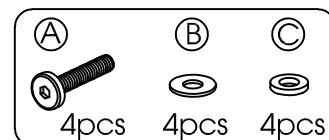
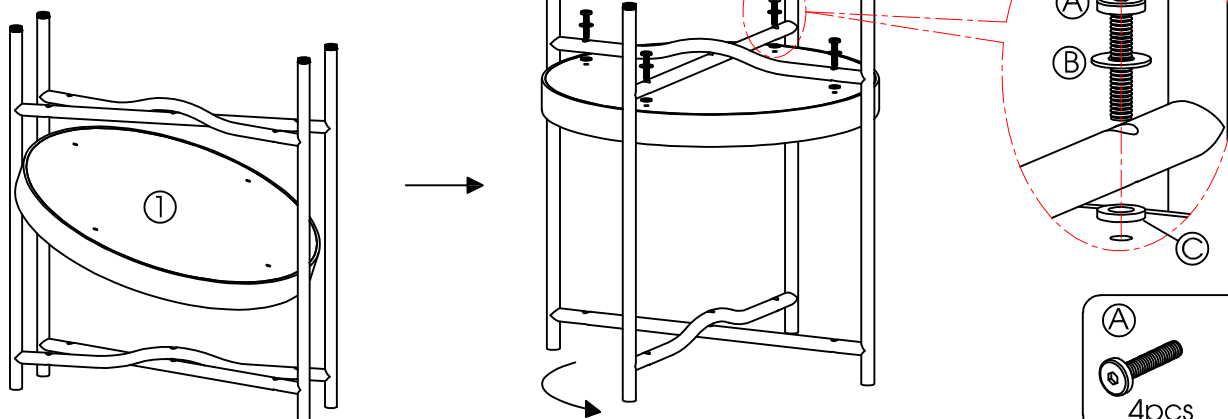


Step 2.



Step 3.

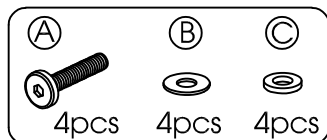
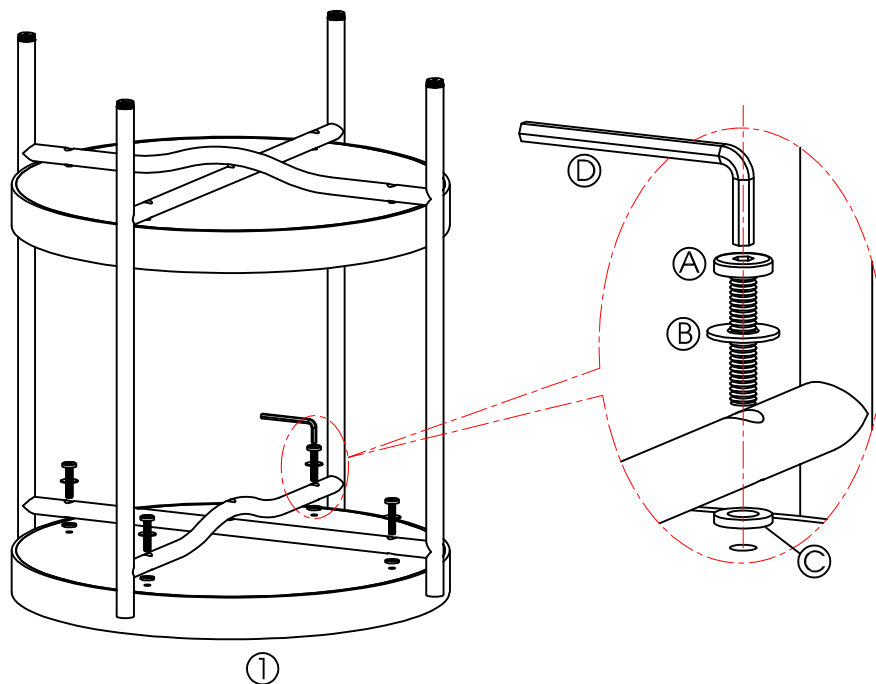
Attention!
Put the item on a rug or similar to help
protect surfaces from scratching.



AMELIA SIDE TABLE GREY

24608657

Step 4.



Finished.

