

# ALINA GAS LIFT BASE with PANEL HEADBOARD QUEEN/KING

24607193/24607216/24606318/24606240

24606264/24606363/24606400

24607247/24607223/24606226/24606295

24606370/24606387/24606400

Thank you for purchasing the Alina Bed. Before you begin to assemble your new piece of furniture, please check to ensure that all hardware and parts have been supplied. This page lists all contents included in the carton(s).

Follow instructions closely as deviation from them may present a possible safety risk and may void your warranty.

It is recommended that assembly is done on a soft surface such as carpet to avoid any damage.

If you experience any problems with your new purchase please contact Freedom Customer Service via [www.freedom.com.au](http://www.freedom.com.au) (AUS) and [www.freedomfurniture.co.nz](http://www.freedomfurniture.co.nz) (NZ)

## Care Information

### DO

- Vacuum regularly with a soft upholstery attachment. Dirt combined with body moisture can produce a grime discolouration to the fabric. Vacuuming will also remove grit that can also wear away the fabric.
- Follow the upholstery care instructions label attached to the bed.
- Use a professional dry cleaning service at least once a year to keep the fabric looking good. Leave any removable covers on during cleaning to minimise shrinking. Temporary pilling can happen with some fabrics. This isn't considered a fault and can be removed using a de-piling machine.

### DON'T

- Don't place the fabric in direct sunlight or near heaters as they can fade and damage the fabric. Use curtains and blinds to protect your furniture from direct sunlight through windows.
- Don't pull loose threads, cut them instead.

## HARDWARE ( ONLY Supplied with Panel Headboard )



SPRING WASHER  
M6  
(Pre-attached 4pcs)

8 xPart R



SPRING WASHER  
M8

2xPart S



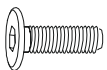
WASHER M6  
(Pre-attached 4pcs)

8 xPart T



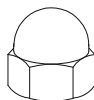
WASHER M8

2xPart U



M6 x 30mm  
(Pre-attached 4pcs)

8xPart W



CAP NUT M8

2xPart AD

# ALINA GAS LIFT BASE with PANEL HEADBOARD QUEEN/KING

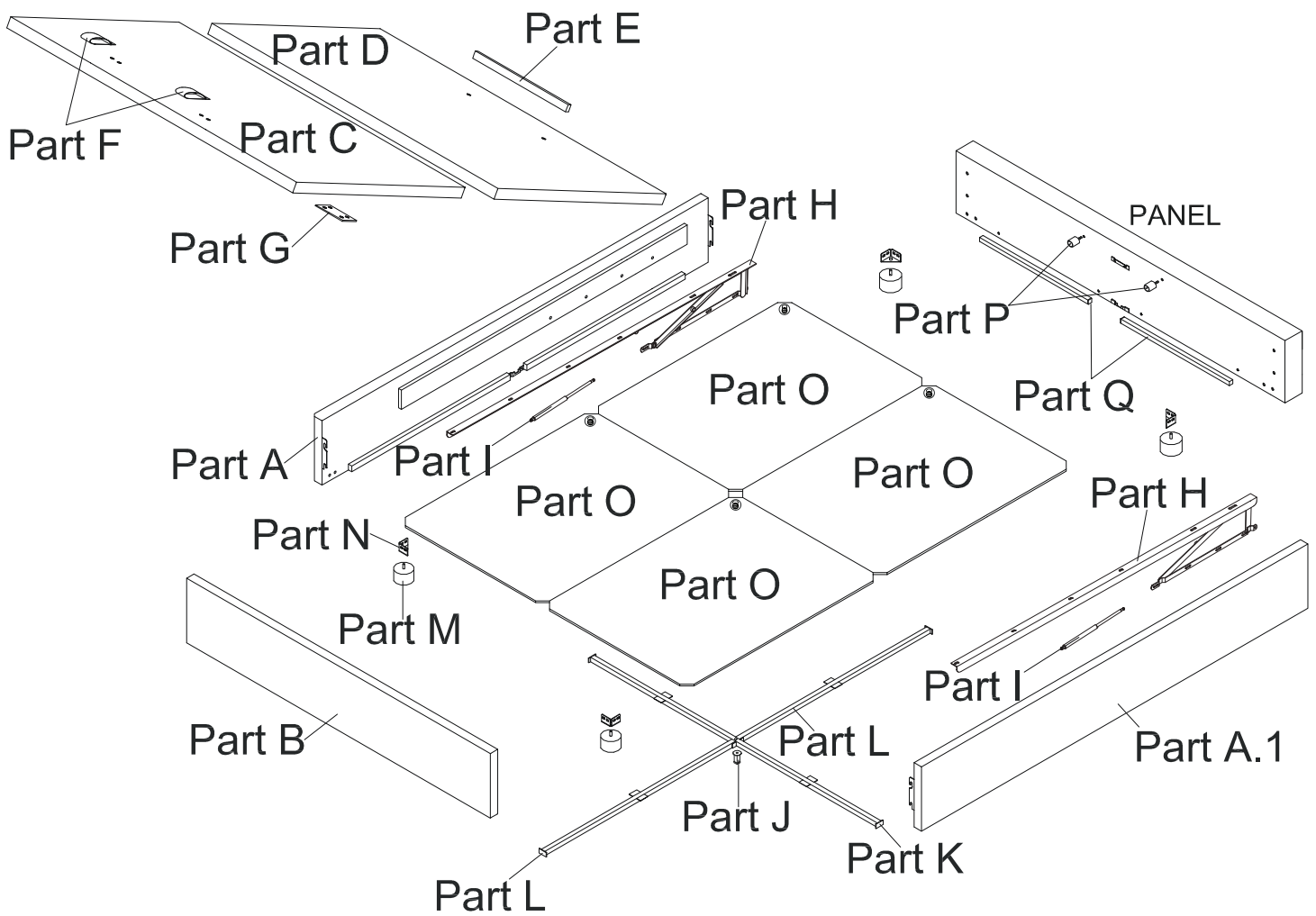
24607193/24607216/24606318/24606240

24606264/24606363/24606400

24607247/24607223/24606226/24606295

24606370/24606387/24606400

## ALINA GAS LIFT BASE with PANEL HEADBOARD



# ALINA GAS LIFT BASE with PANEL HEADBOARD QUEEN/KING

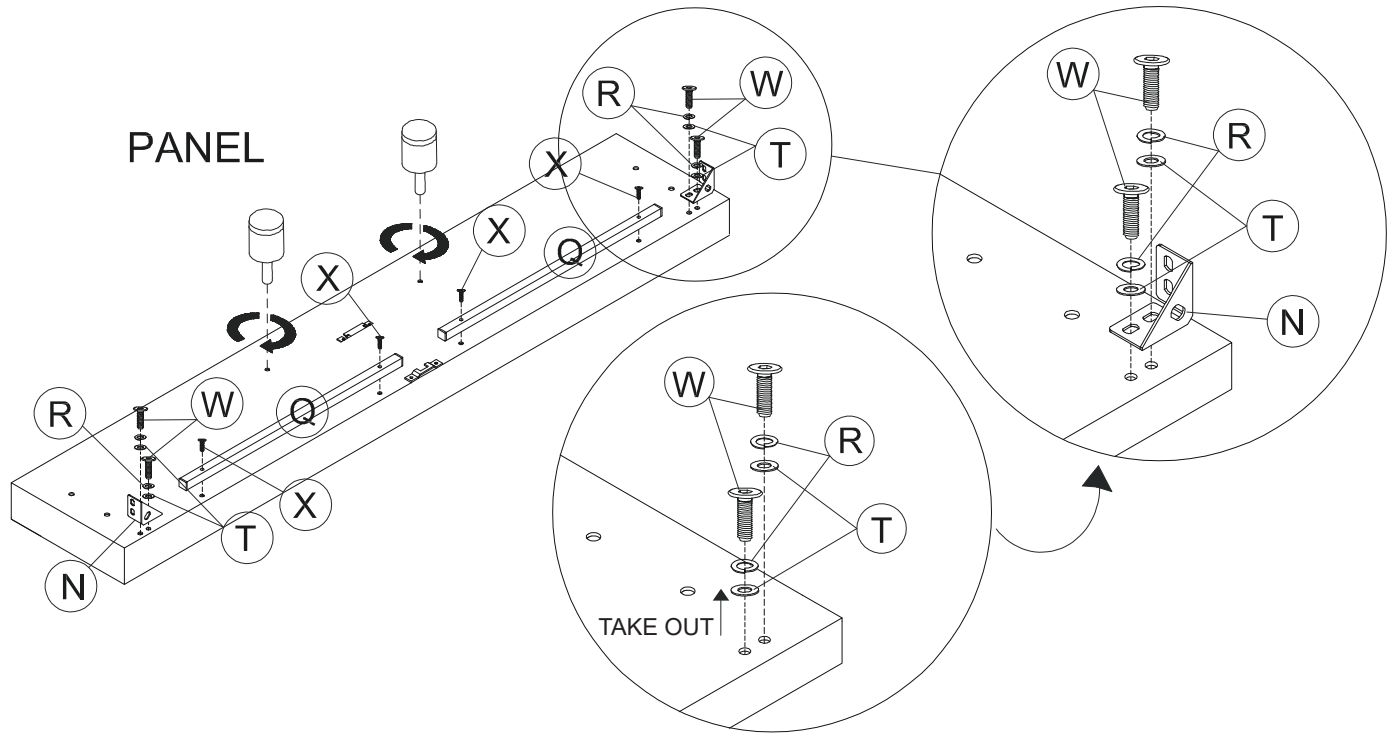
24607193/24607216/24606318/24606240

24606264/24606363/24606400

24607247/24607223/24606226/24606295

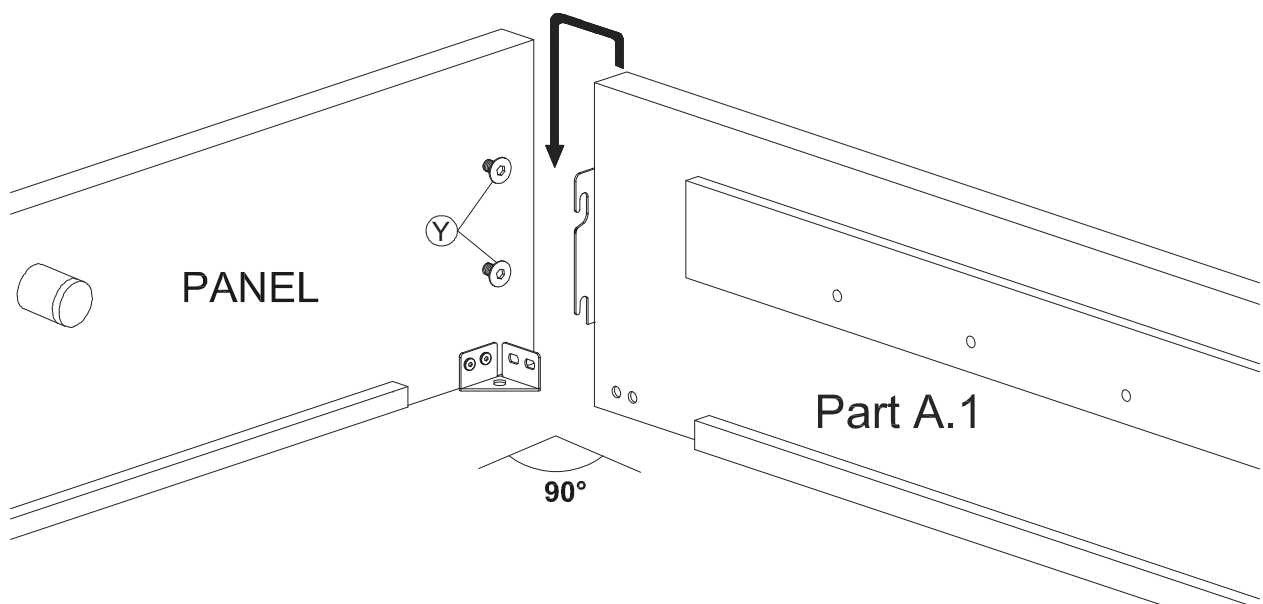
24606370/24606387/24606400

Step 1.



Step 2.

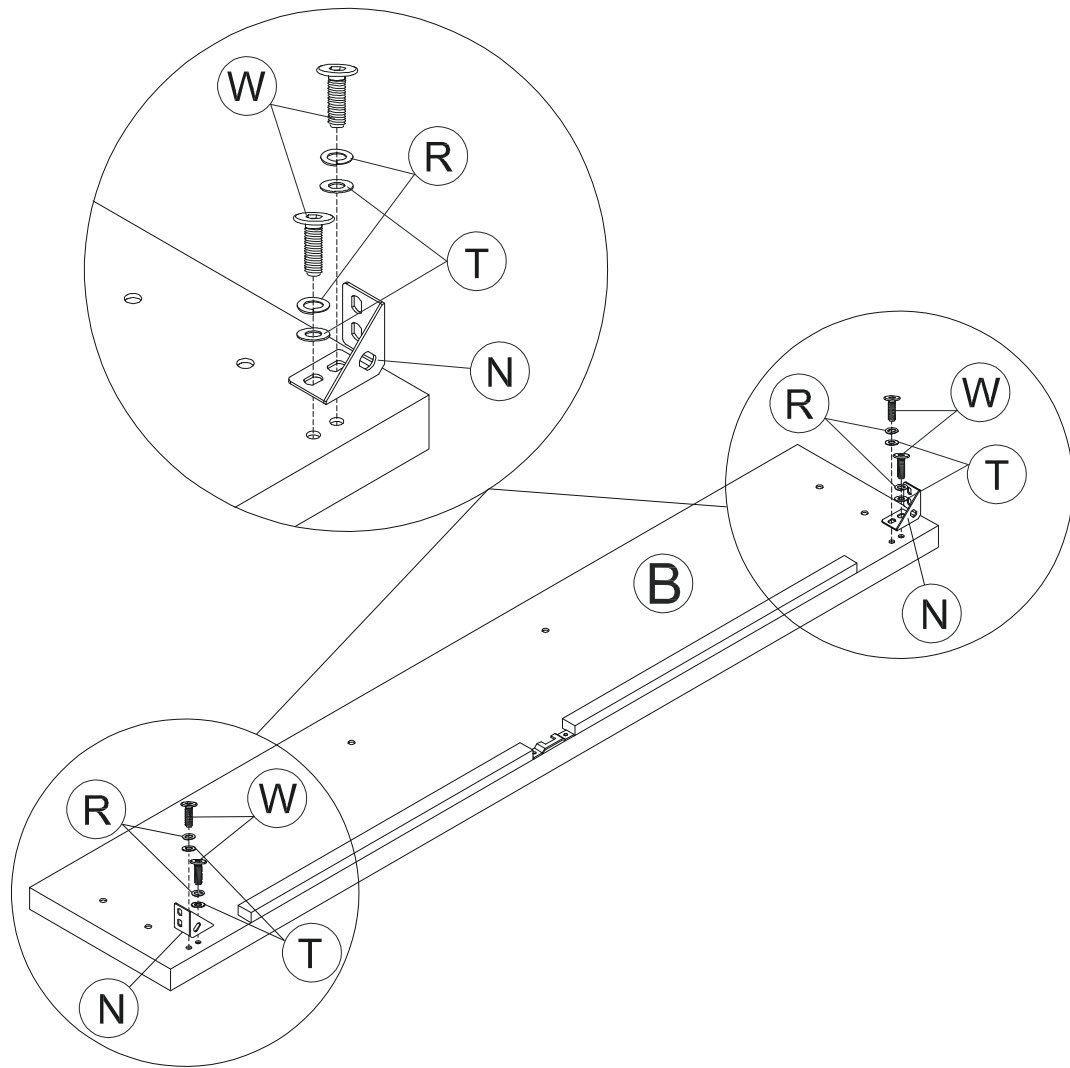
NOTE : TO INCREASE THE LONGEVITY, TIGHTEN BOLTS REGULARLY



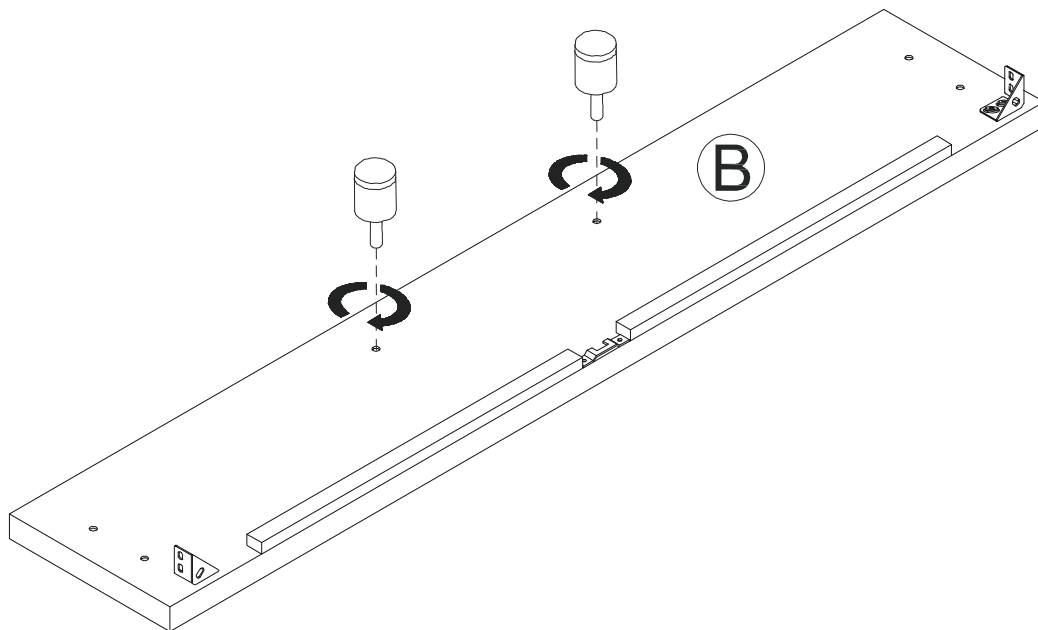
# ALINA GAS LIFT BASE with PANEL HEADBOARD QUEEN/KING

24607193/24607216/24606318/24606240  
24606264/24606363/24606400  
24607247/24607223/24606226/24606295  
24606370/24606387/24606400

Step 3.



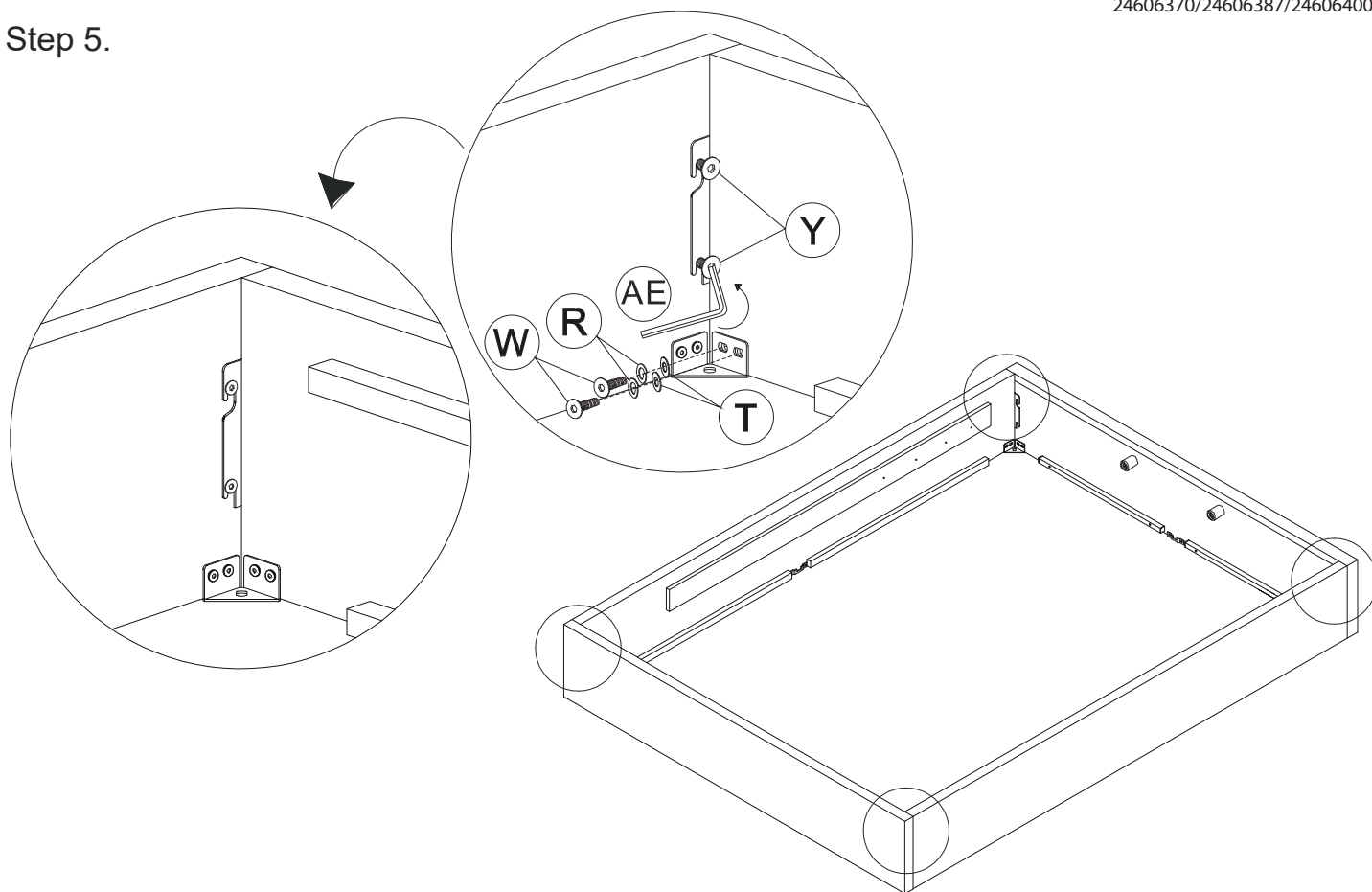
Step 4.



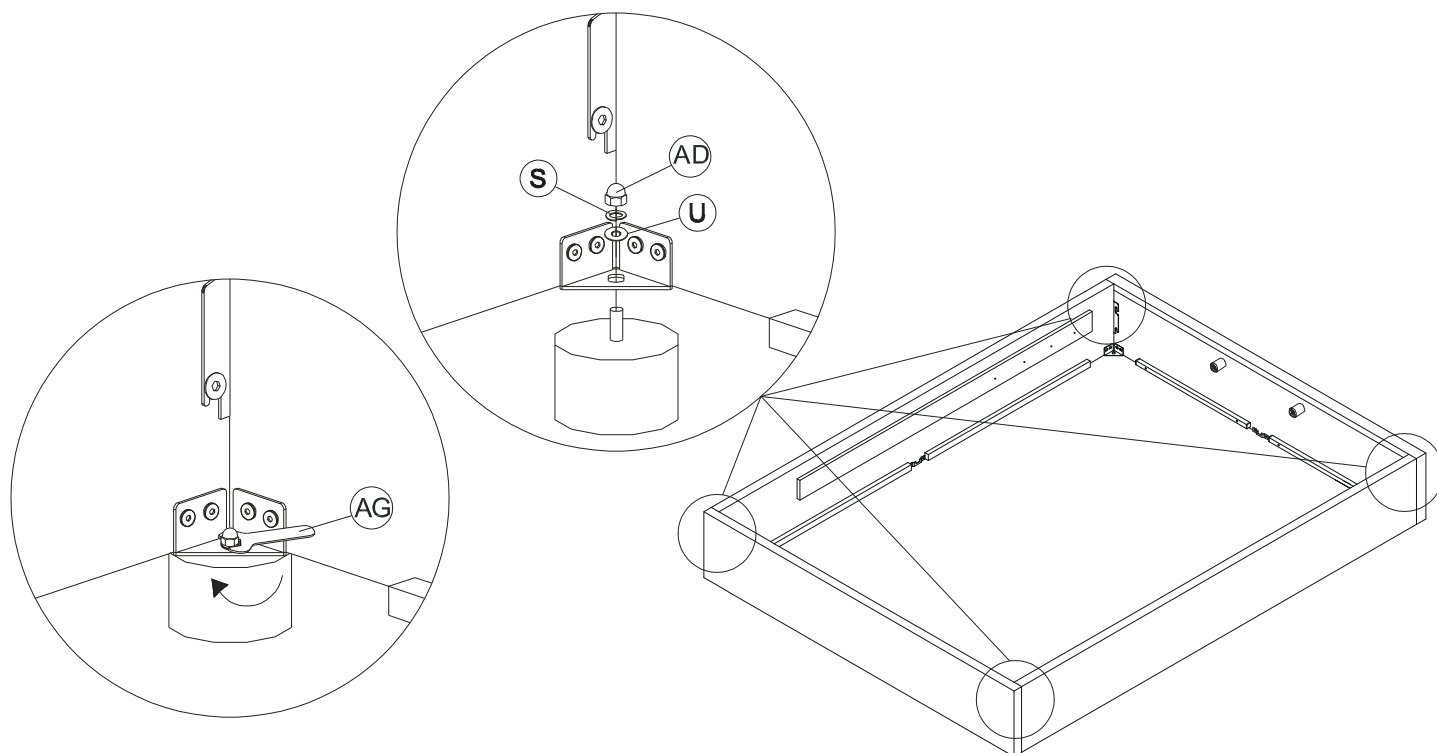
# ALINA GAS LIFT BASE with PANEL HEADBOARD QUEEN/KING

24607193/24607216/24606318/24606240  
24606264/24606363/24606424607193/24607216/24606318/24606240  
24606264/24606363/24606400  
24607247/24607223/24606226/24606295  
24606370/24606387/2460640000  
24607247/24607223/24606226/24606295  
24606370/24606387/24606400

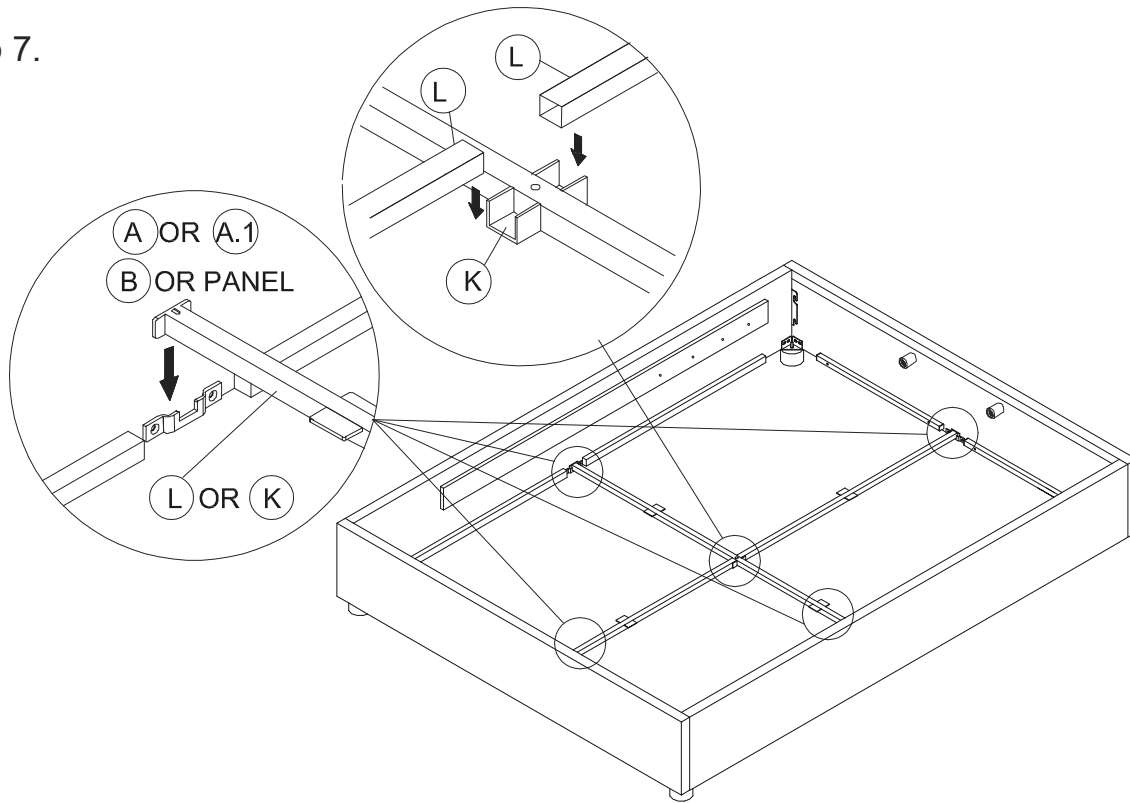
Step 5.



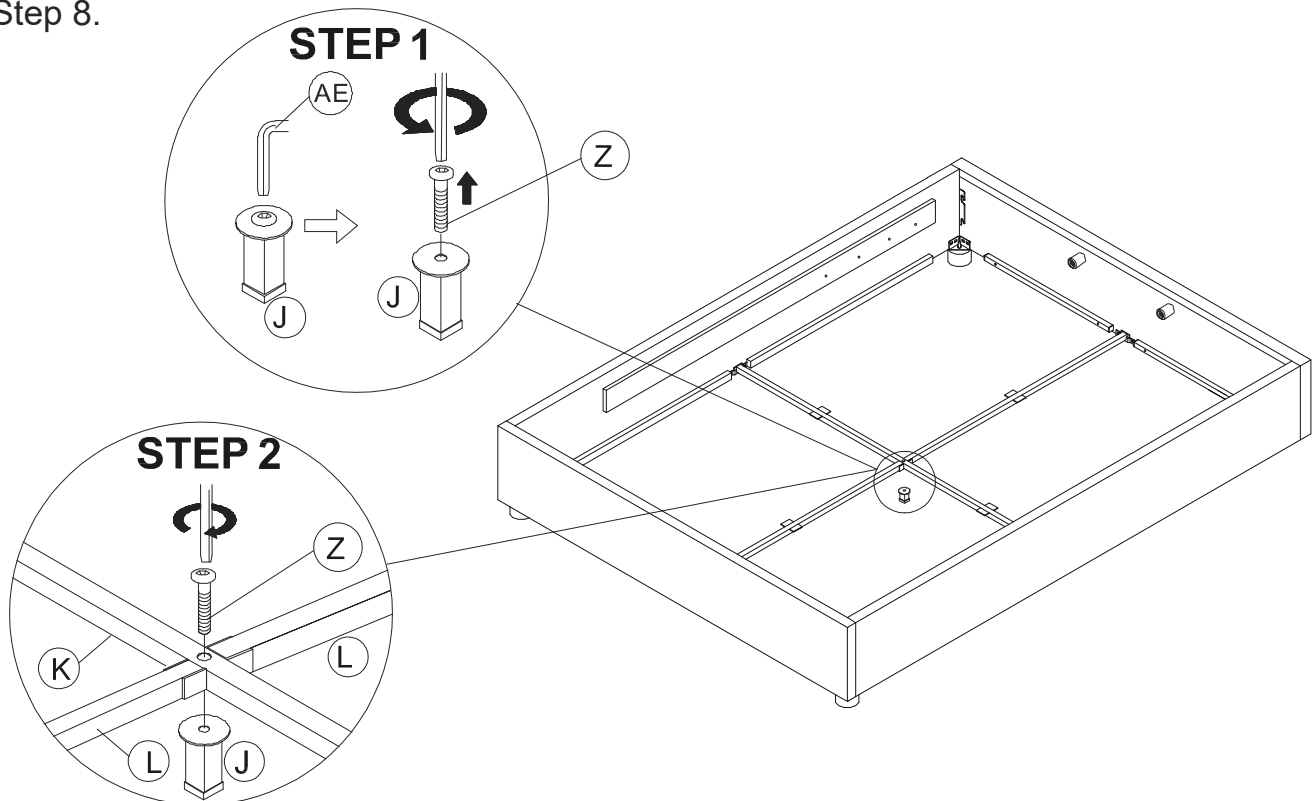
Step 6.



Step 7.



Step 8.



# ALINA GAS LIFT BASE with PANEL HEADBOARD QUEEN/KING

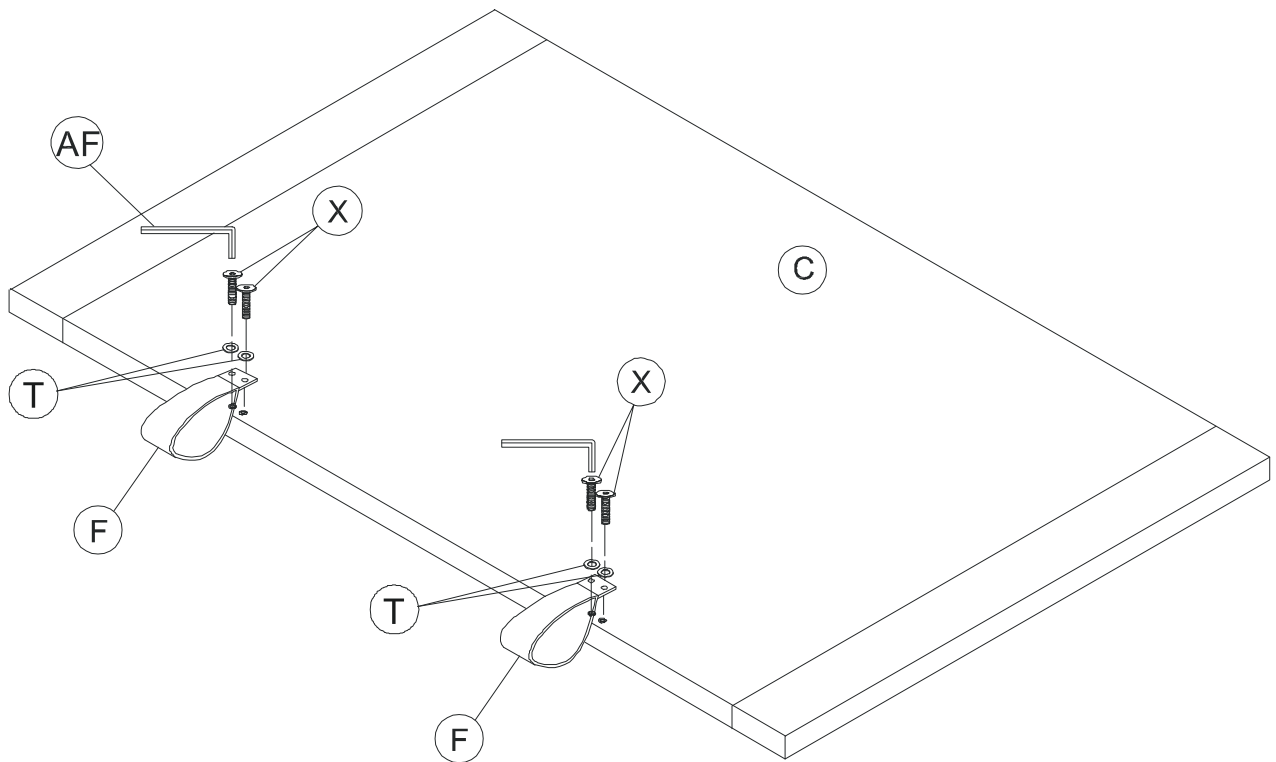
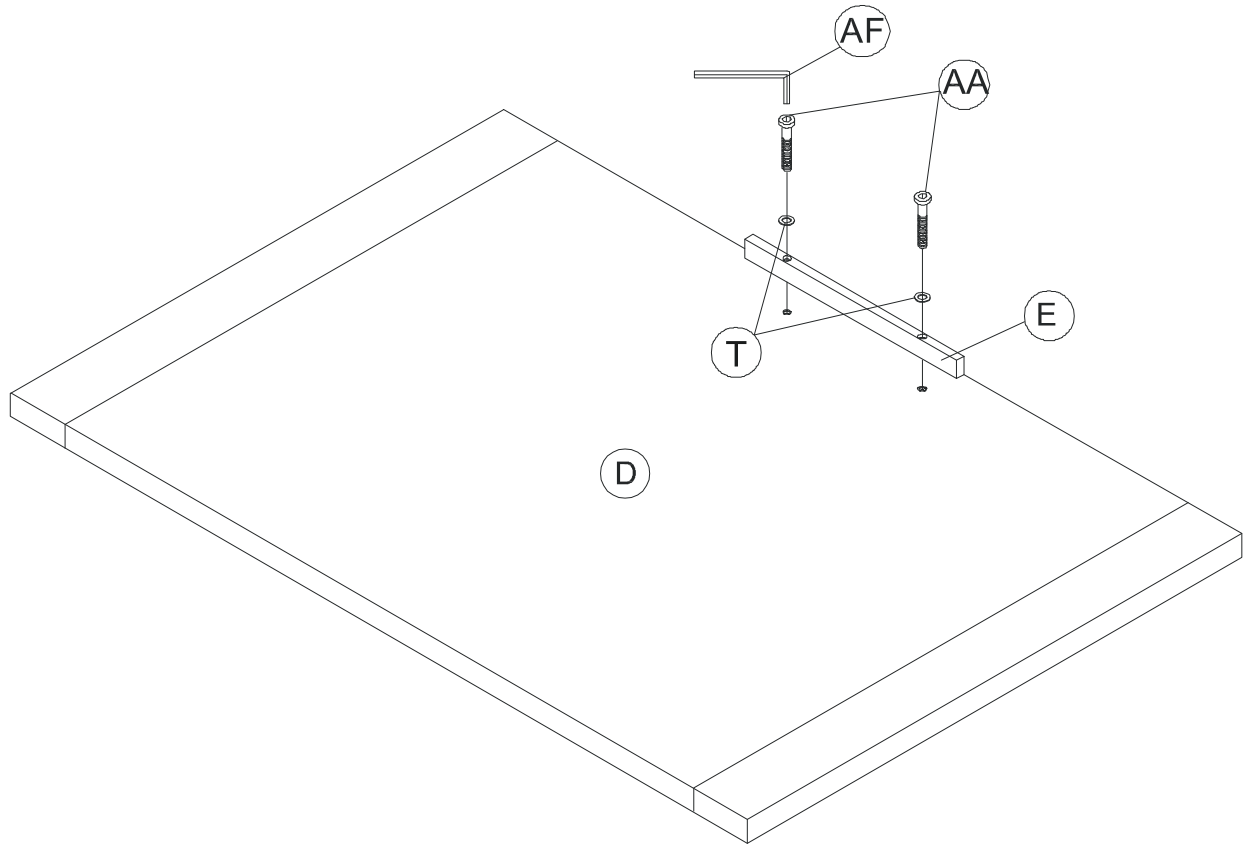
24607193/24607216/24606318/24606240

24606264/24606363/24606400

24607247/24607223/24606226/24606295

24606370/24606387/24606400

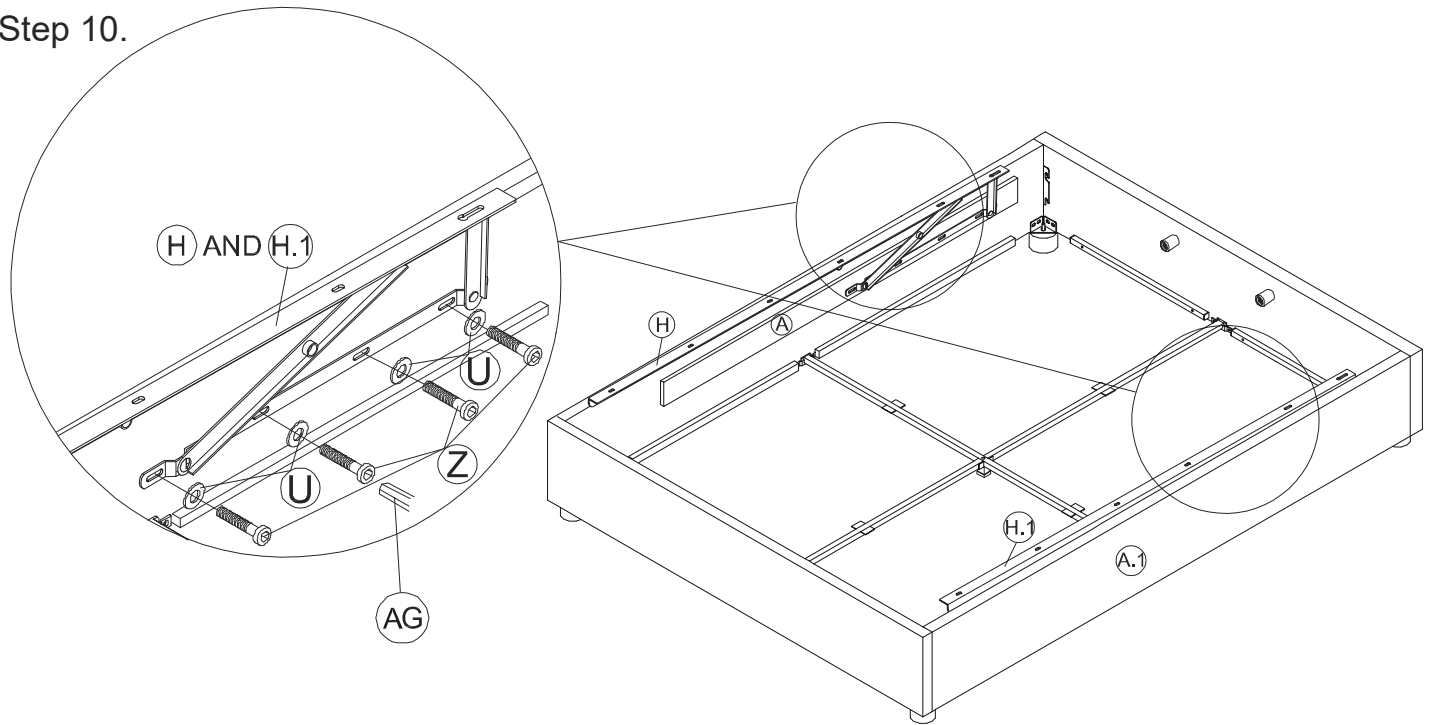
Step 9.



# ALINA GAS LIFT BASE with PANEL HEADBOARD QUEEN/KING

24607193/24607216/24606318/24606240  
 24606264/24606363/24606400  
 24607247/24607223/24606226/24606295  
 24606370/24606387/24606400

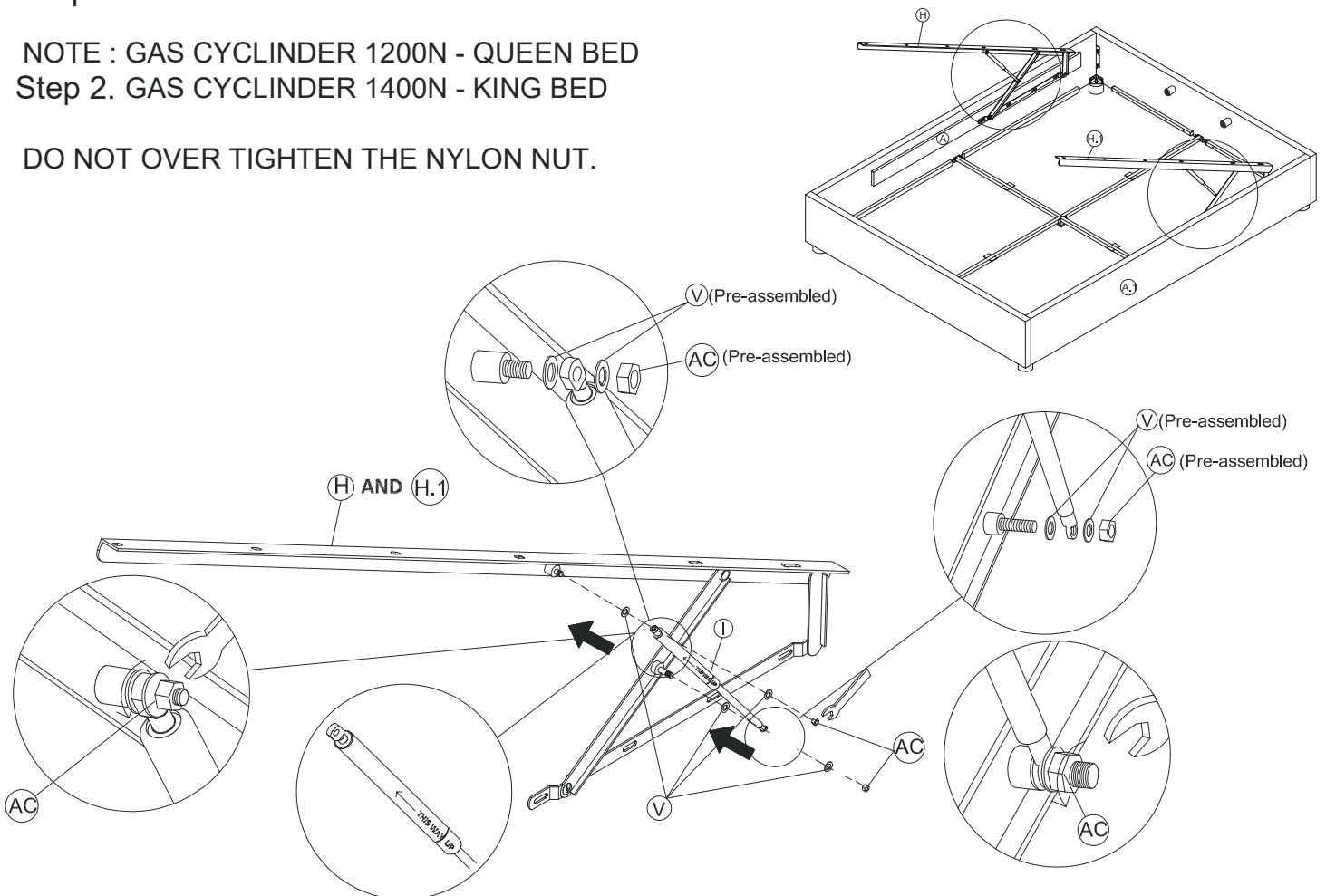
Step 10.



Step 11.

NOTE : GAS CYLINDER 1200N - QUEEN BED  
 Step 2. GAS CYLINDER 1400N - KING BED

DO NOT OVER TIGHTEN THE NYLON NUT.

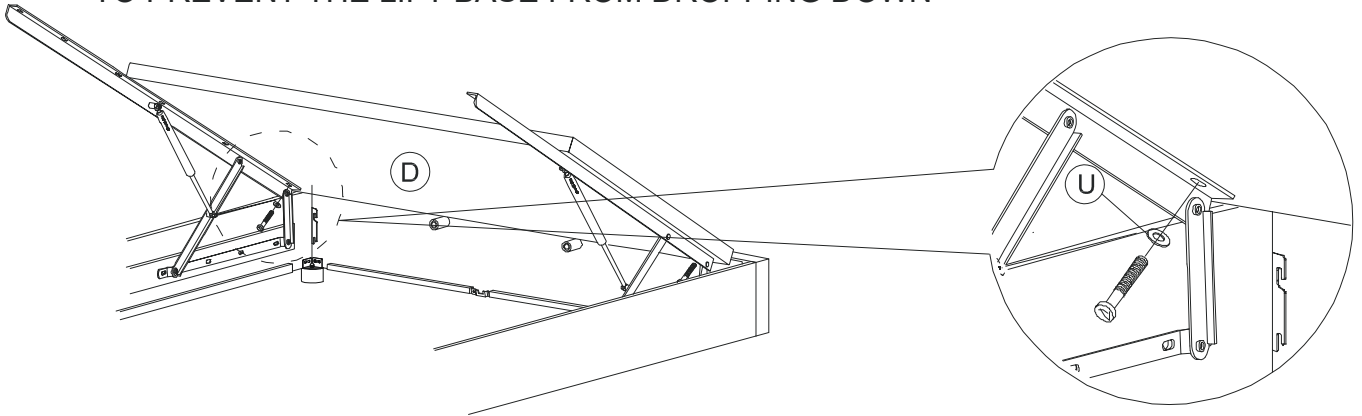




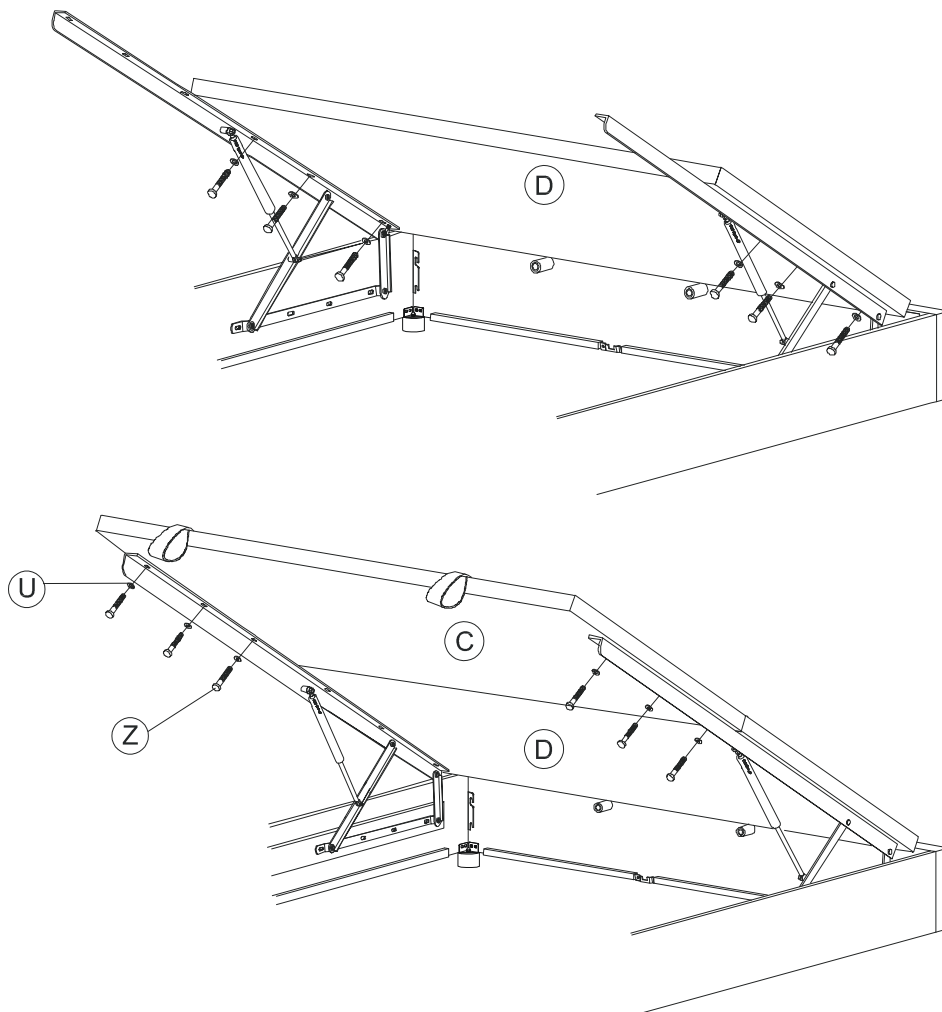
Step 12.

SCREW THE FIRST HOLE LOOSELY FOR SAFETY &  
TO PREVENT THE LIFT BASE FROM DROPPING DOWN

FIRST ROUND  
LOCATING HOLE



FULLY TIGHTEN ALL OTHERS SCREWS AS SHOWN



# ALINA GAS LIFT BASE with PANEL HEADBOARD QUEEN/KING

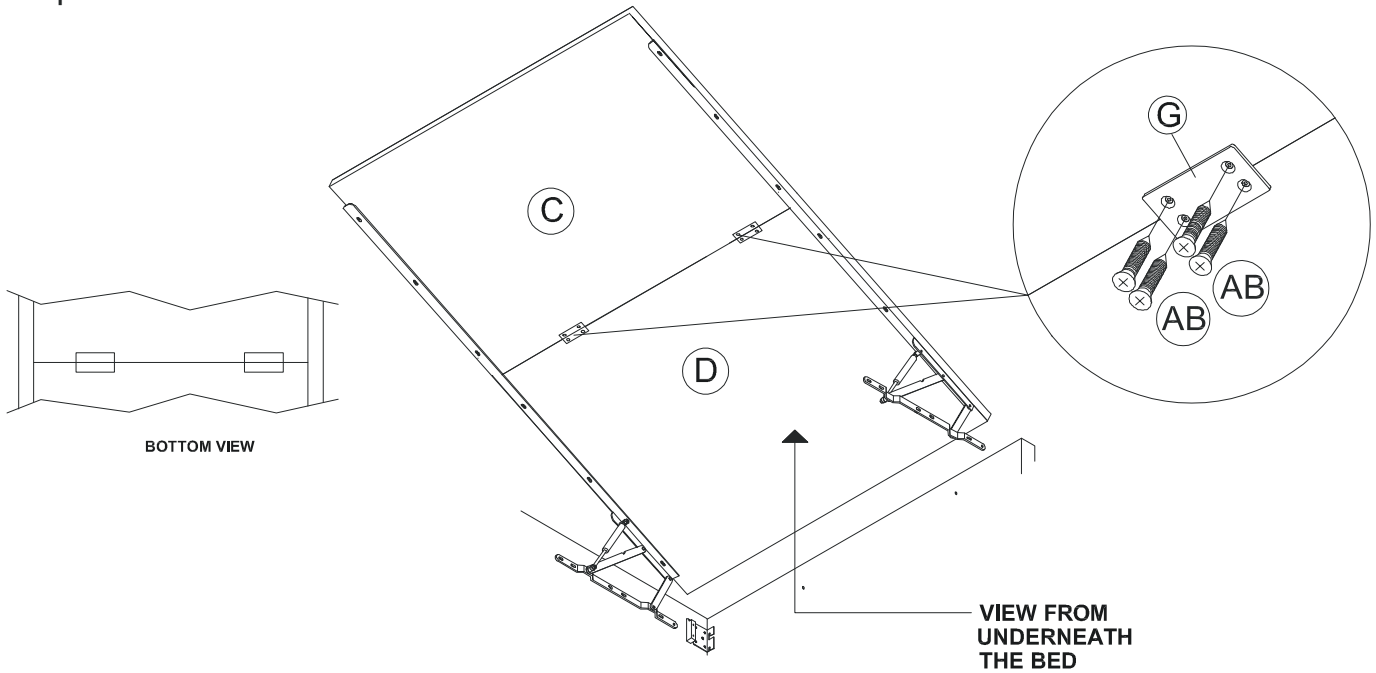
24607193/24607216/24606318/24606240

24606264/24606363/24606400

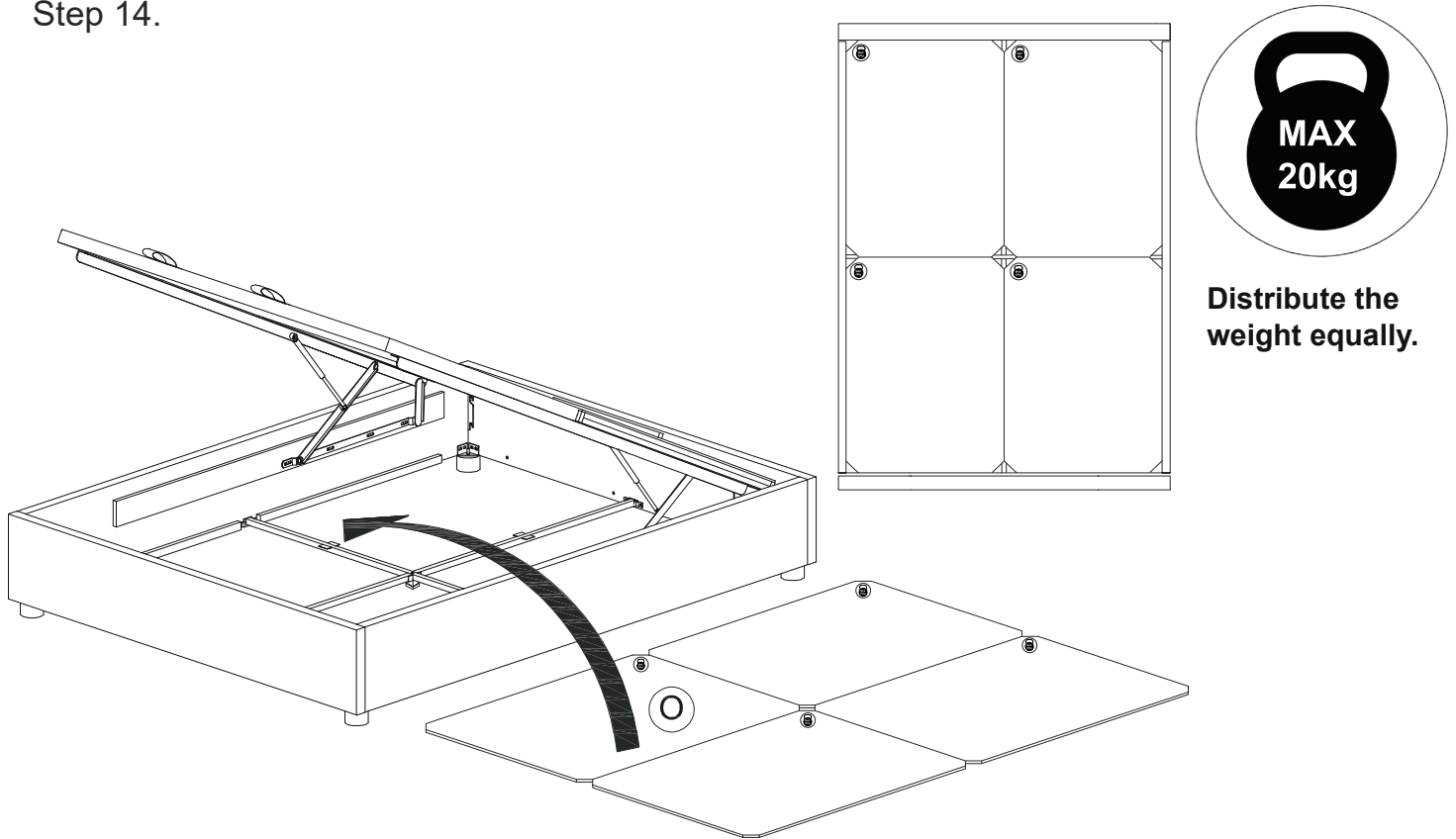
24607247/24607223/24606226/24606295

24606370/24606387/24606400

Step 13.



Step 14.



# ALINA GAS LIFT BASE with PANEL HEADBOARD QUEEN/KING

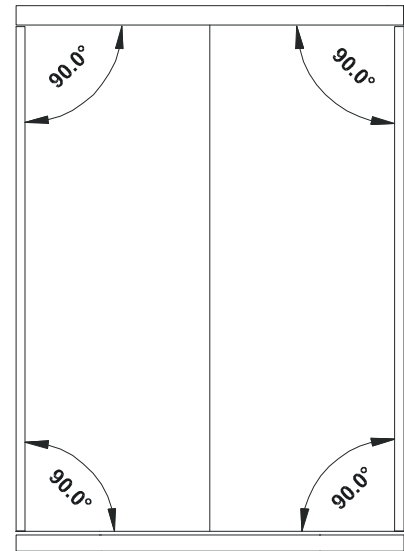
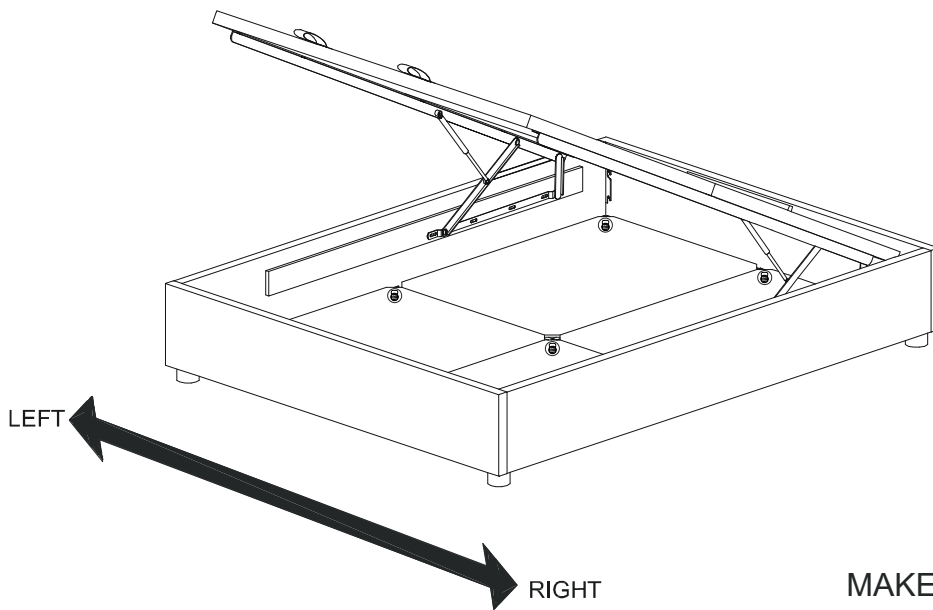
24607193/24607216/24606318/24606240

24606264/24606363/24606400

24607247/24607223/24606226/24606295

24606370/24606387/24606400

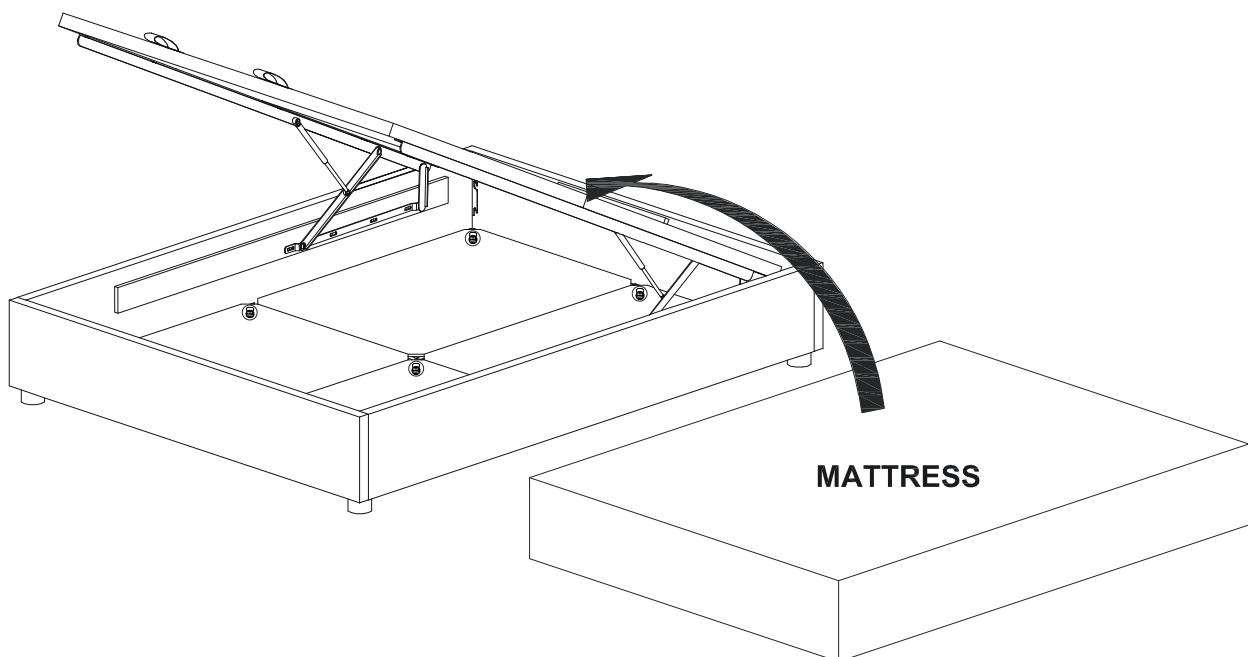
Step 15.



MAKE SURE THE BED FRAME 4 SIDE ANGLES ARE AT 90 DEGREES BEFORE YOU CLOSING THE LIFT BASE

Step 16.

THE MAXIMUM MATTRESS WEIGHT IS 60 KG FOR EITHER A KING OR QUEEN MATTRESS



# ALINA GAS LIFT BASE with PANEL HEADBOARD QUEEN/KING

24607193/24607216/24606318/24606240

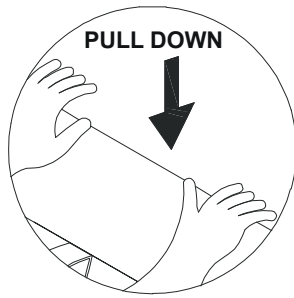
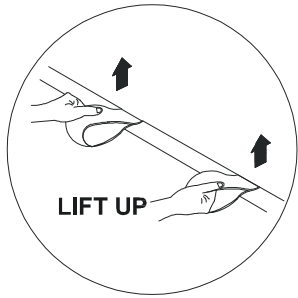
24606264/24606363/24606400

24607247/24607223/24606226/24606295

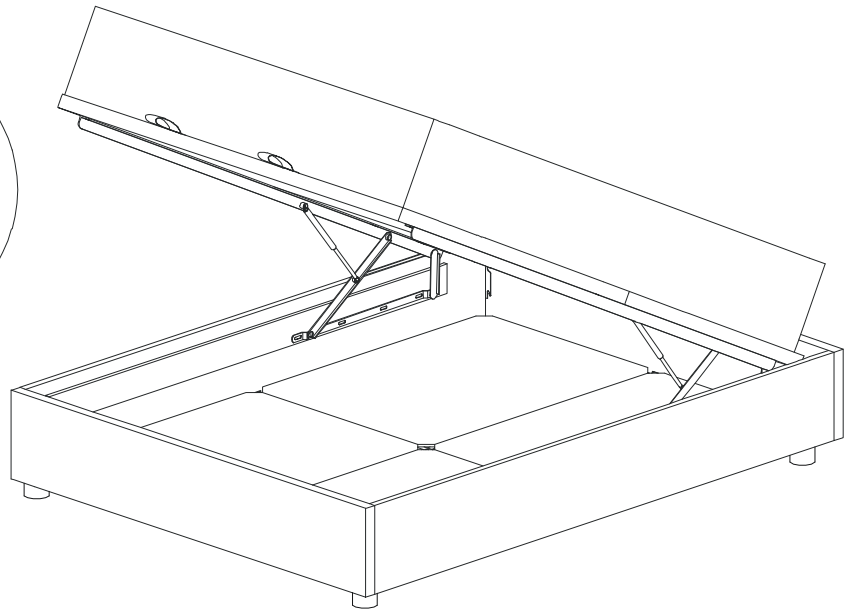
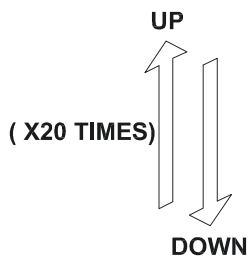
24606370/24606387/24606400

## Step 17.

THE MATTRESS MUST BE FITTED TO THE BASE  
(DO NOT OPERATE THE LIFT UP MECHANISM WITHOUT THE MATTRESS FITTED  
TO THE BASE)



LIFT UP & DOWN THE LIFT  
UP BASE WITH MATTRESS  
AT LEAST 20 TIMES  
BEFORE USE



ASSEMBLY COMPLETE

