

ALINA 2 DRAWER BASE with HEADBOARD QUEEN

24605489/24605762/24605533/24605823
24605625/24605748/24605670/24605861
24606073/24606110/24620604/24620611/24605939

Thank you for purchasing the Alina Bed. Before you begin to assemble your new piece of furniture, please check to ensure that all hardware and parts have been supplied. This page lists all contents included in the carton(s).

Follow instructions closely as deviation from them may present a possible safety risk and may void your warranty.

It is recommended that assembly is done on a soft surface such as carpet to avoid any damage.

If you experience any problems with your new purchase please contact Freedom Customer Service via www.freedom.com.au (AUS) and www.freedomfurniture.co.nz (NZ)

Care Information

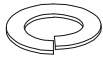
DO

- Vacuum regularly with a soft upholstery attachment. Dirt combined with body moisture can produce a grime discolouration to the fabric. Vacuuming will also remove grit that can also wear away the fabric.
- Follow the upholstery care instructions label attached to the bed.
- Use a professional dry cleaning service at least once a year to keep the fabric looking good. Leave any removable covers on during cleaning to minimise shrinking. Temporary pilling can happen with some fabrics. This isn't considered a fault and can be removed using a de-piling machine.

DON'T

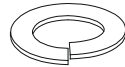
- Don't place the fabric in direct sunlight or near heaters as they can fade and damage the fabric. Use curtains and blinds to protect your furniture from direct sunlight through windows.
- Don't pull loose threads, cut them instead.

HARDWARE (Supplied for Base and Headboard)



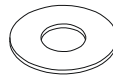
SPRING WASHER
M6

8 x Part K



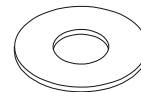
SPRING WASHER
M8

2 x Part L



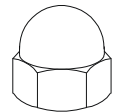
WASHER M6

14 x Part M



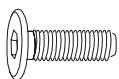
WASHER M8

2 x Part N



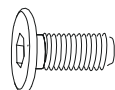
CAP NUT M8

2 x Part O



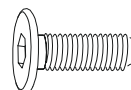
M6 x 30mm

8 x Part P



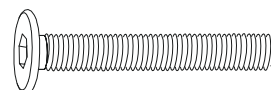
M8 x 20mm
(Pre-attached)

8 x Part Q



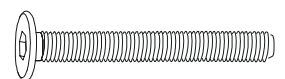
M8 x 30mm

8 x Part R



M8 x 60mm

1 x Part S



M6 x 60mm

6 x Part T



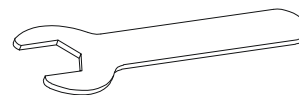
ALLEN KEY M8

1 x Part U



ALLEN KEY M6

1 x Part V



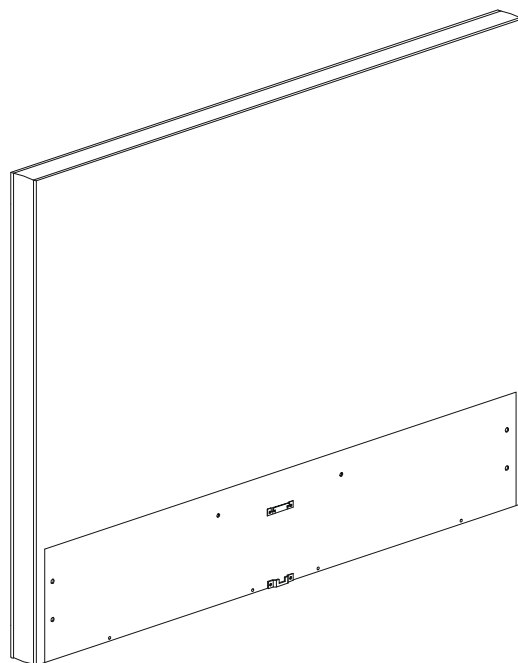
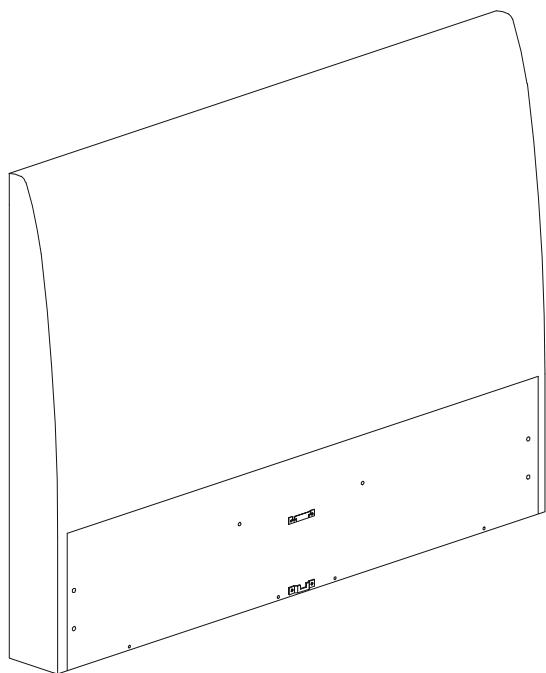
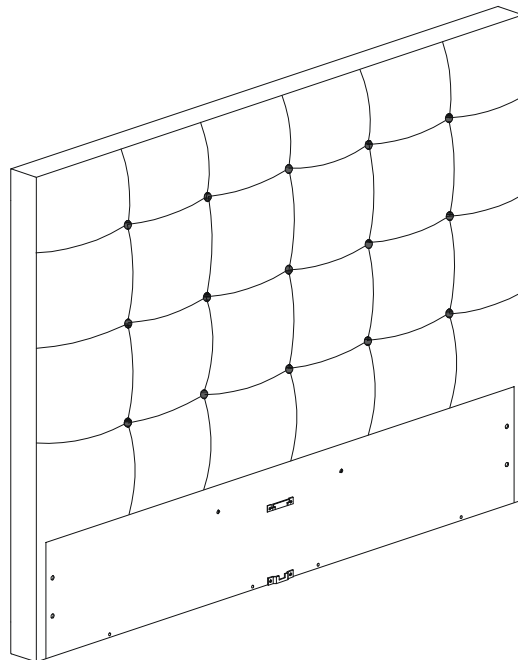
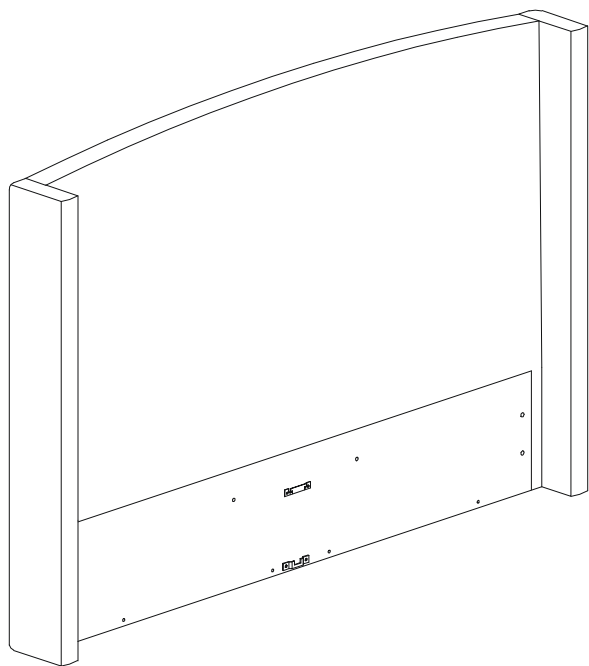
SPANAR M8

1 x Part W

ALINA 2 DRAWER BASE with HEADBOARD QUEEN

24605489/24605762/24605533/24605823
24605625/24605748/24605670/24605861
24606073/24606110/24620604/24620611/24605939

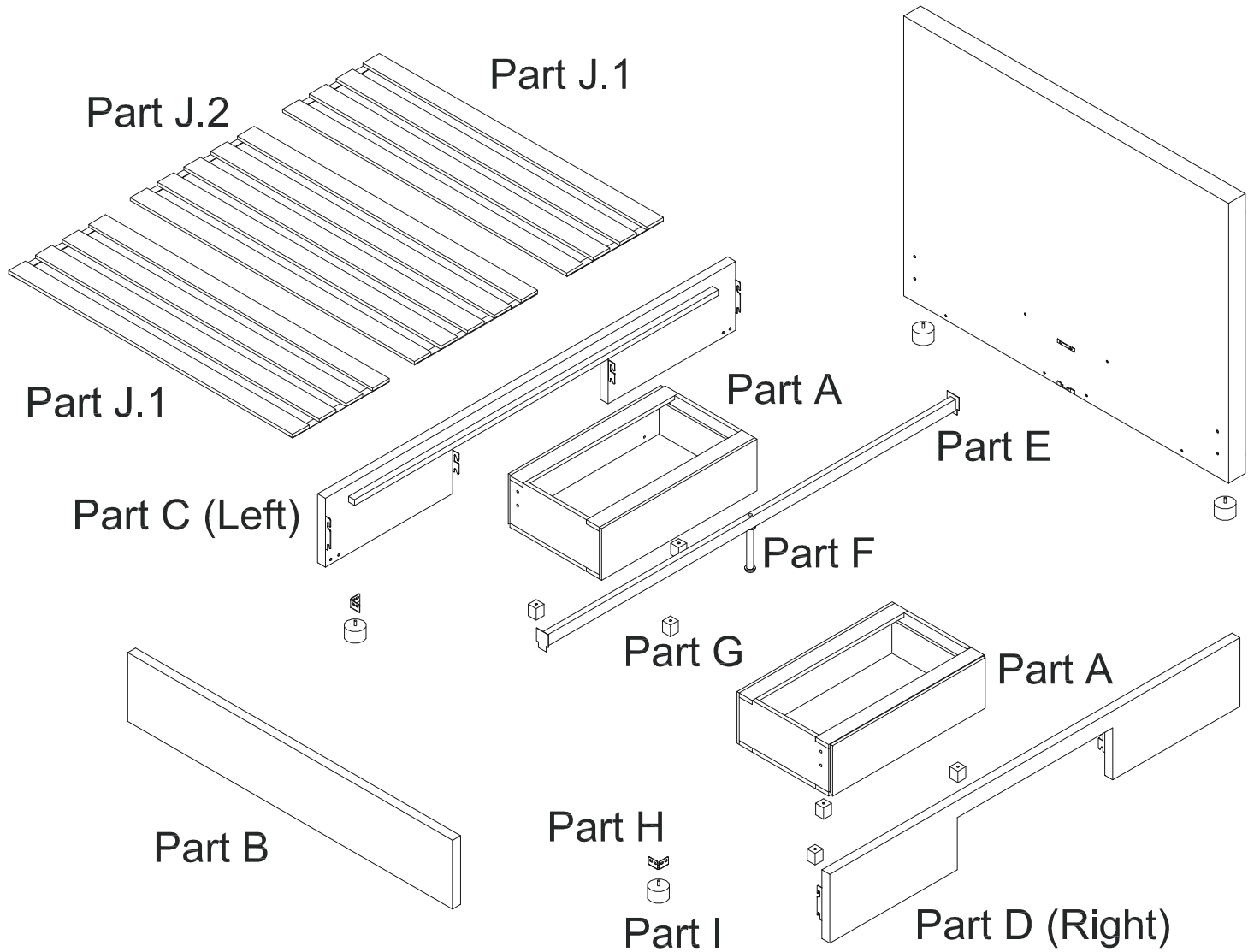
ALINA STANDARD HEADBOARD



ALINA 2 DRAWER BASE with HEADBOARD
QUEEN

24605489/24605762/24605533/24605823
24605625/24605748/24605670/24605861
24606073/24606110/24620604/24620611/24605939

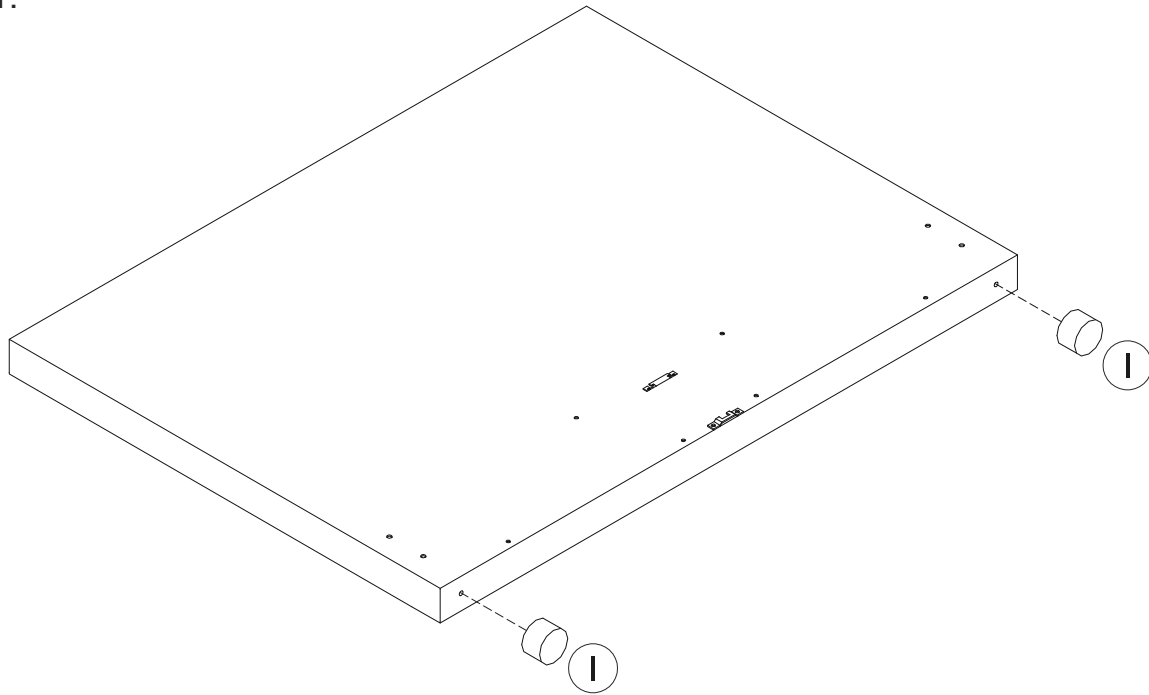
ALINA 2 DRAWER BASE with HEADBOARD



ALINA 2 DRAWER BASE with HEADBOARD QUEEN

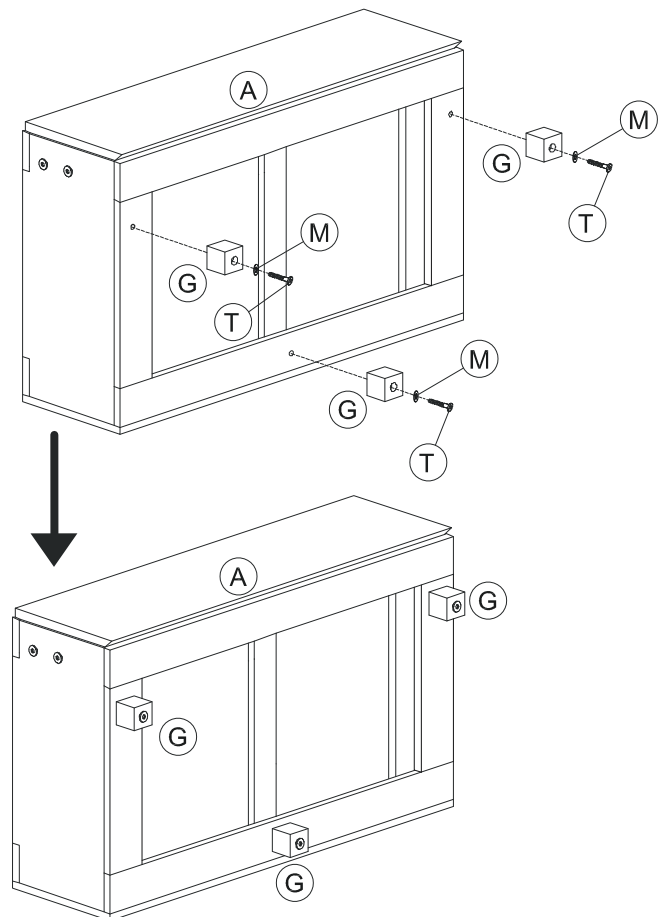
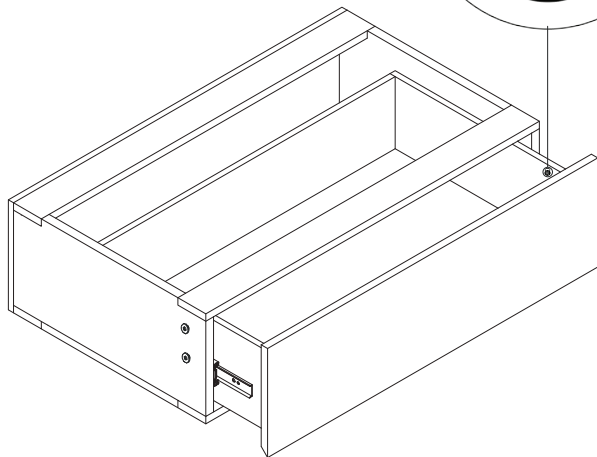
24605489/24605762/24605533/24605823
24605625/24605748/24605670/24605861
24606073/24606110/24620604/24620611/24605939

Step 1.



Step 2.

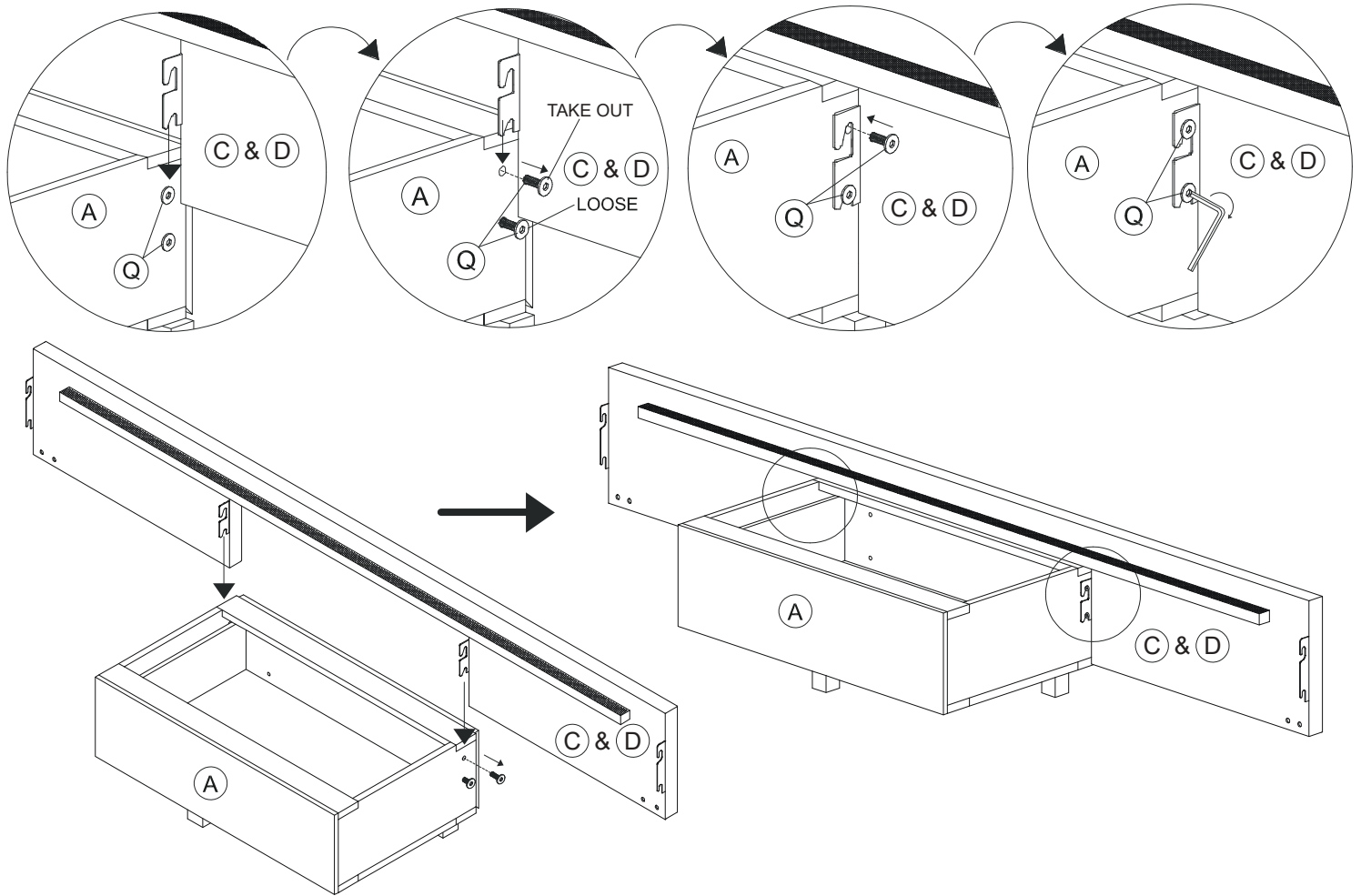
Distribute the weight equally.



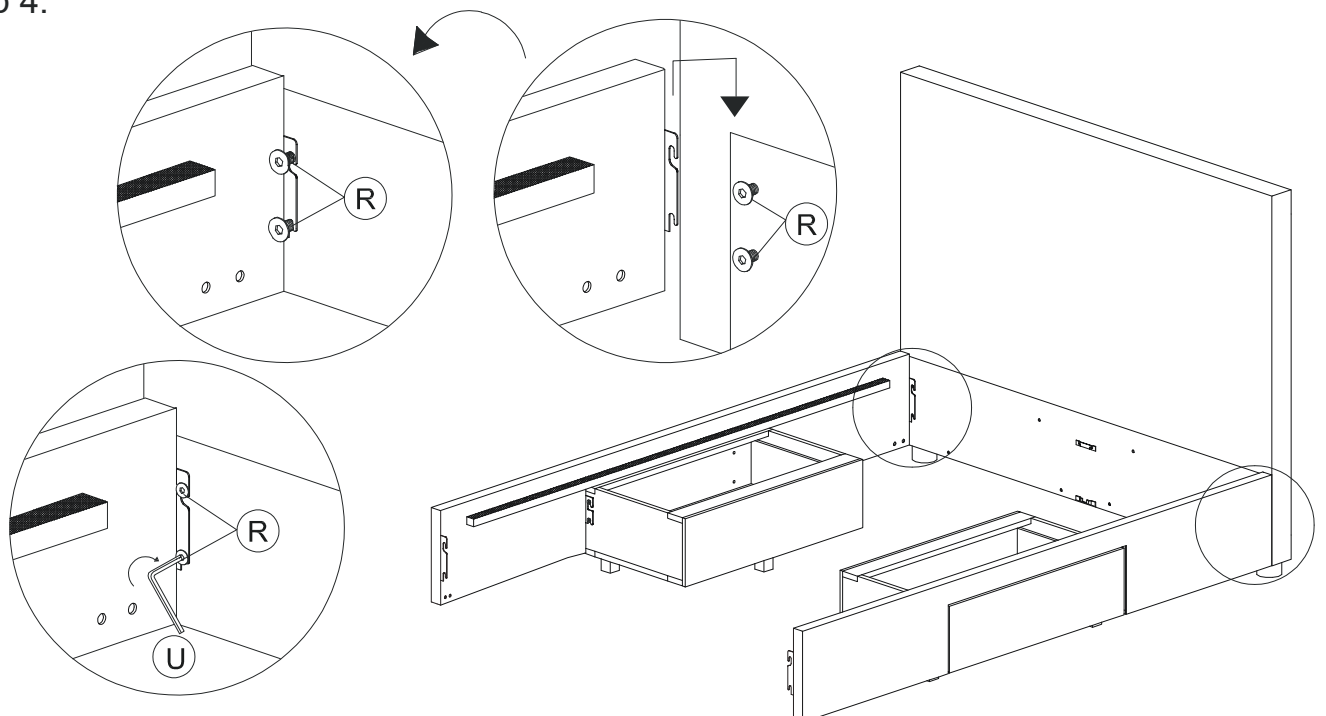
ALINA 2 DRAWER BASE with HEADBOARD QUEEN

24605489/24605762/24605533/24605823
24605625/24605748/24605670/24605861
24606073/24606110/24620604/24620611/24605939

Step 3.



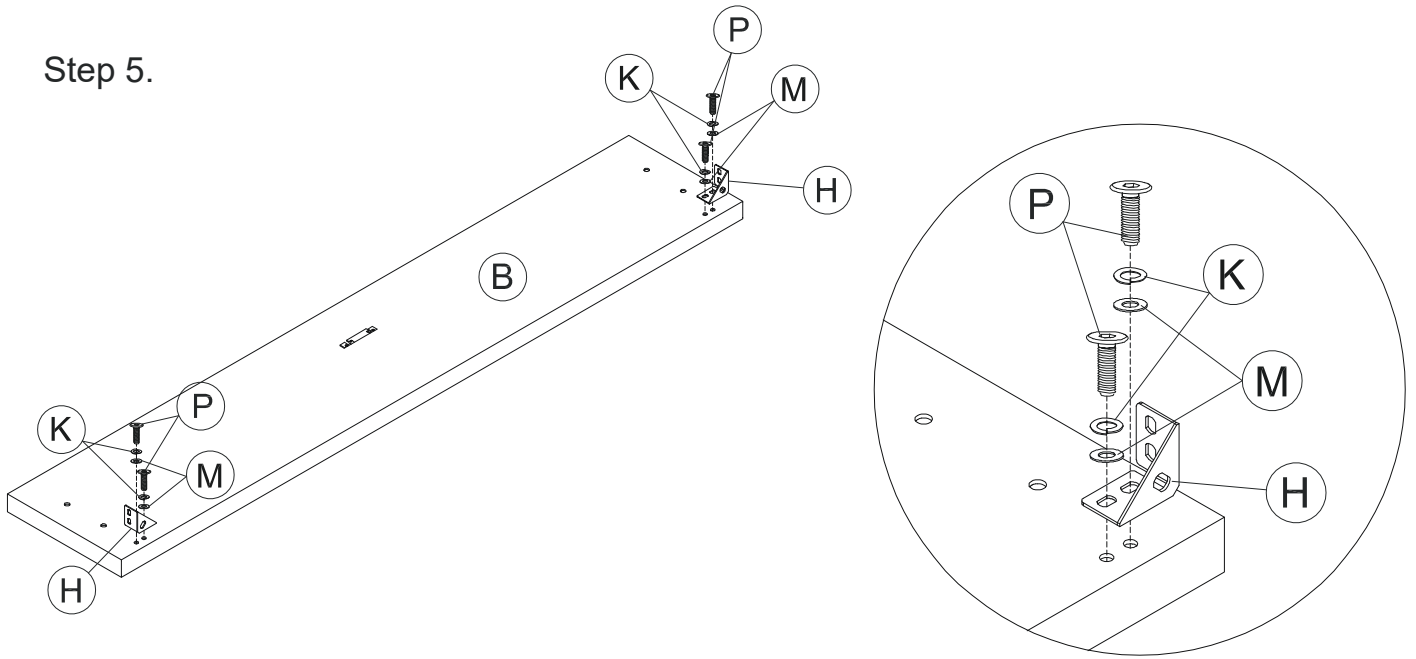
Step 4.



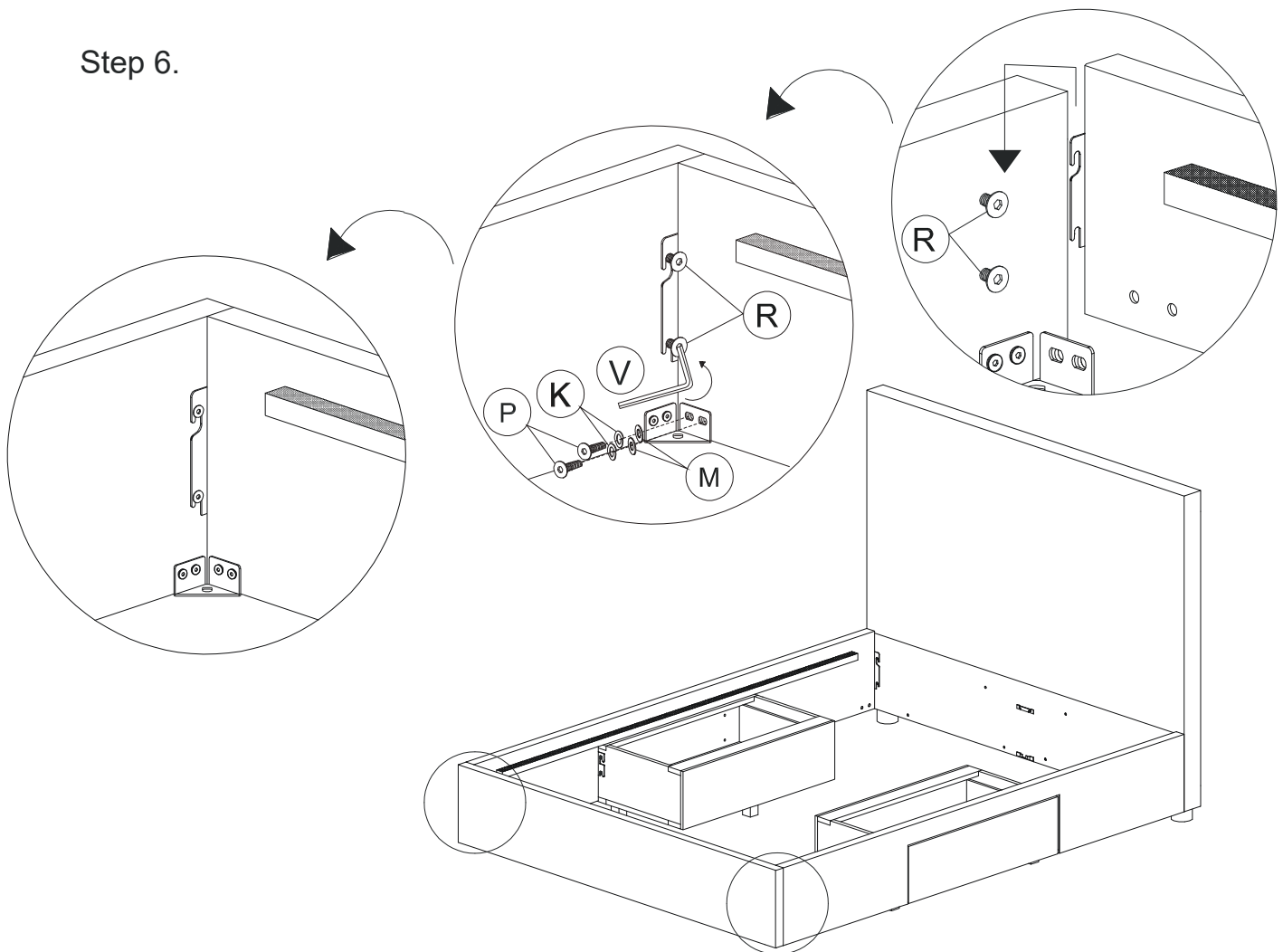
ALINA 2 DRAWER BASE with HEADBOARD QUEEN

24605489/24605762/24605533/24605823
24605625/24605748/24605670/24605861
24606073/24606110/24620604/24620611/24605939

Step 5.



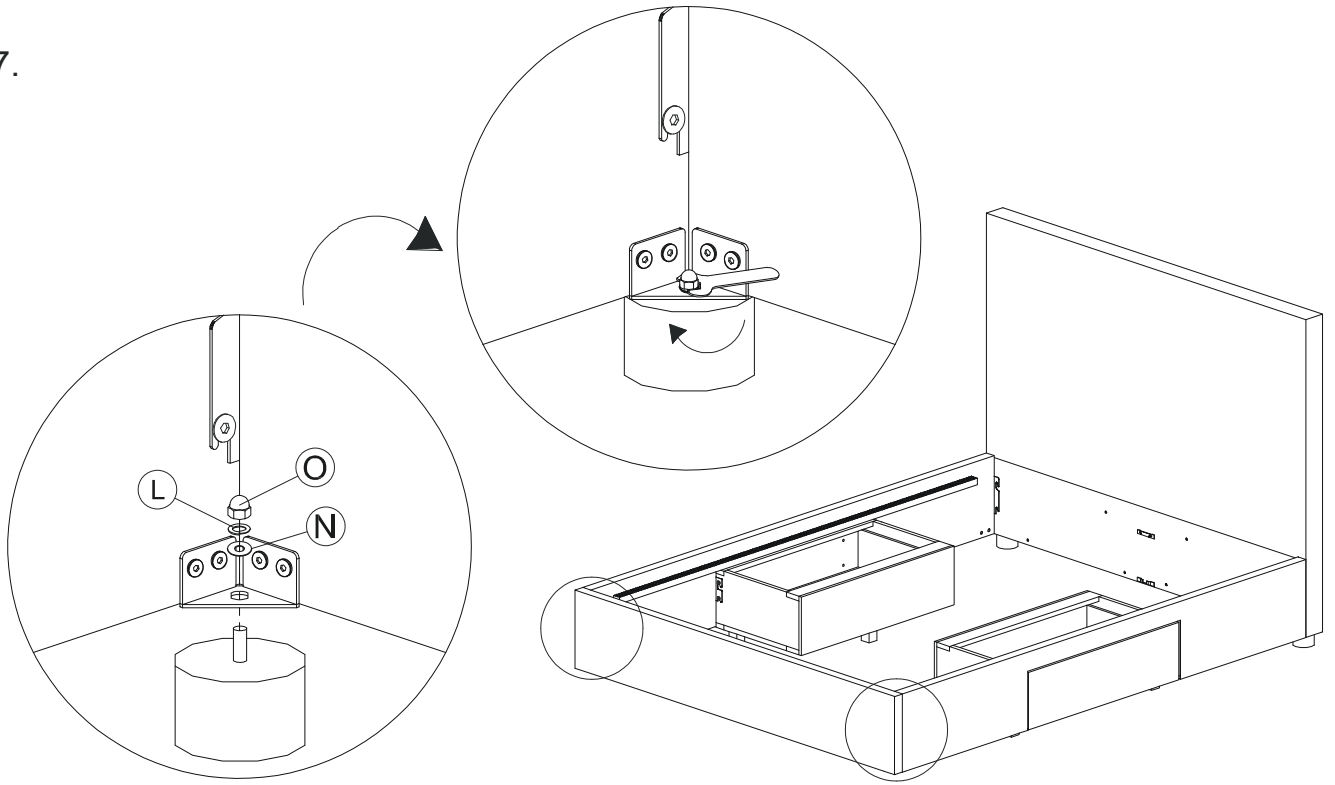
Step 6.



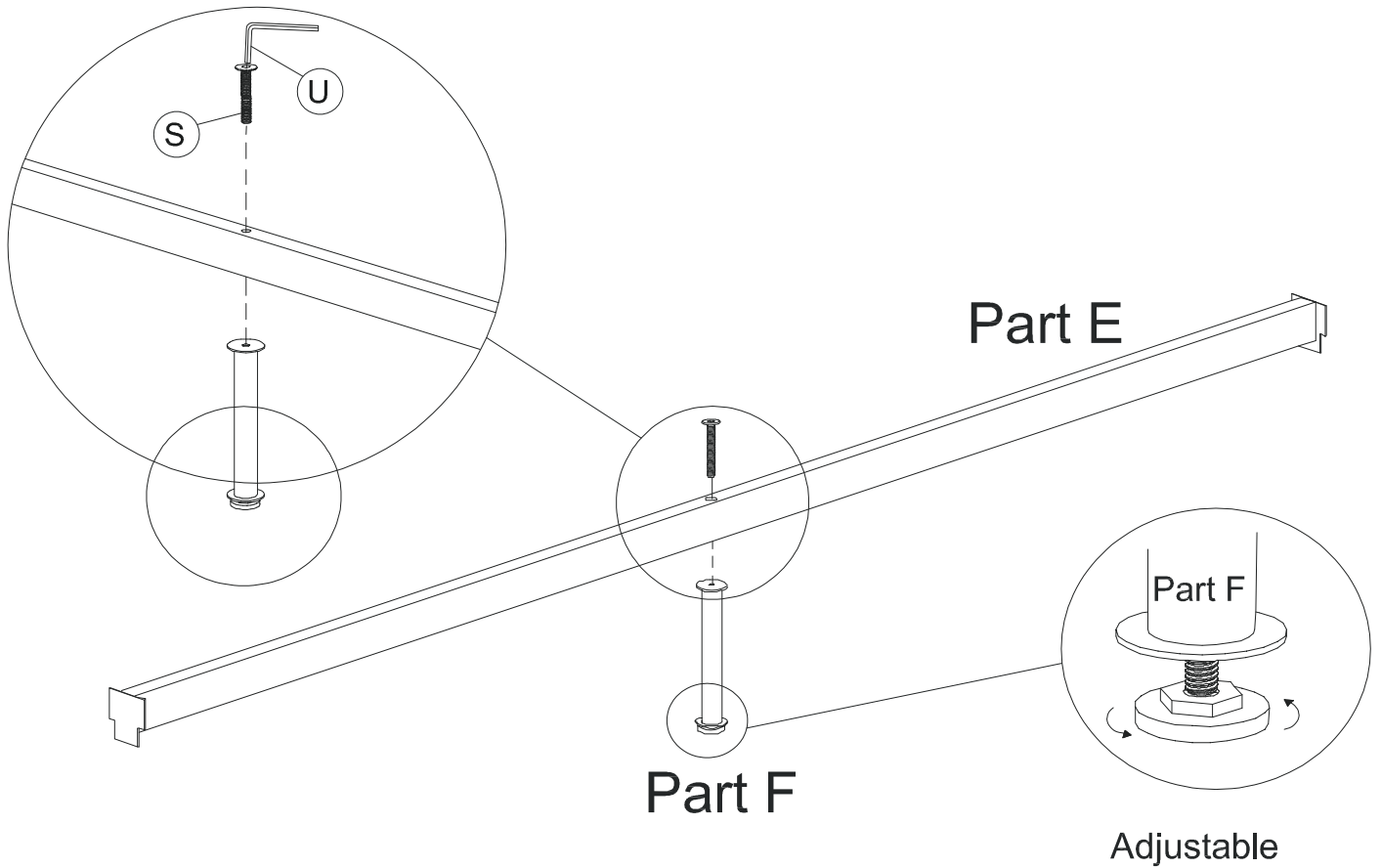
ALINA 2 DRAWER BASE with HEADBOARD QUEEN

24605489/24605762/24605533/24605823
24605625/24605748/24605670/24605861
24606073/24606110/24620604/24620611/24605939

Step 7.



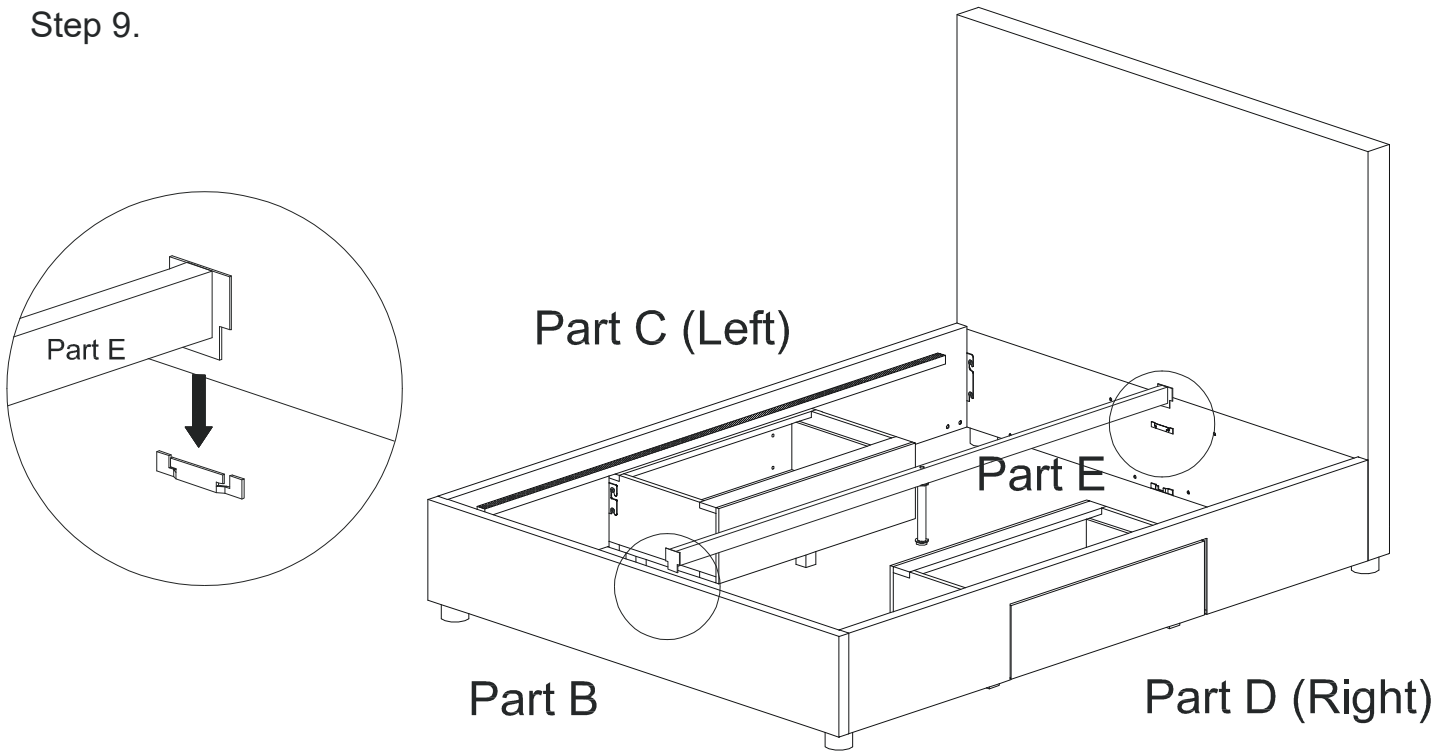
Step 8.



ALINA 2 DRAWER BASE with HEADBOARD QUEEN

24605489/24605762/24605533/24605823
24605625/24605748/24605670/24605861
24606073/24606110/24620604/24620611/24605939

Step 9.



Step 10.

