

# Camden Desk

## Assembly Instructions

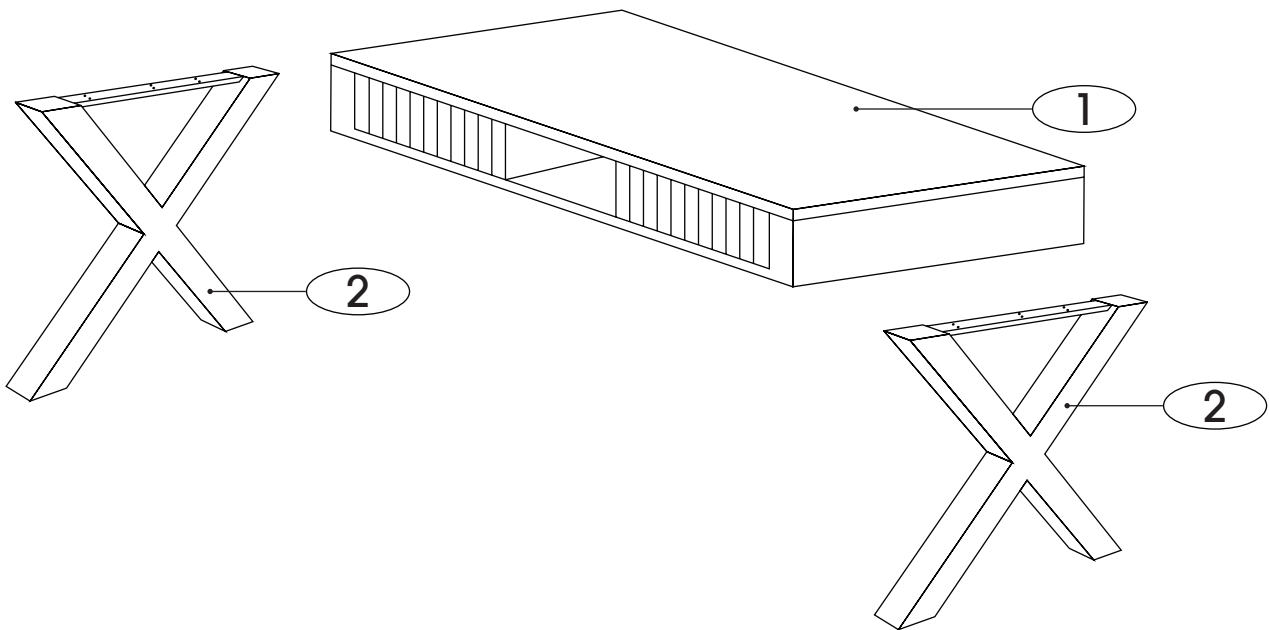
# FREEDOM

Thank you for purchasing the Australian designed and made Camden Desk. Before you begin to assemble your new piece of furniture, please follow the below instructions on how to prepare your desk so it looks the part.

If you experience any problems with your new purchase, please contact Freedom Customer Service via [livechat@freedom.com.au](mailto:livechat@freedom.com.au)

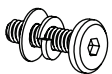
### Parts

- 1 x Desk Top
- 2 x Desk Legs



### Hardware (Supplied)

M8 x 20



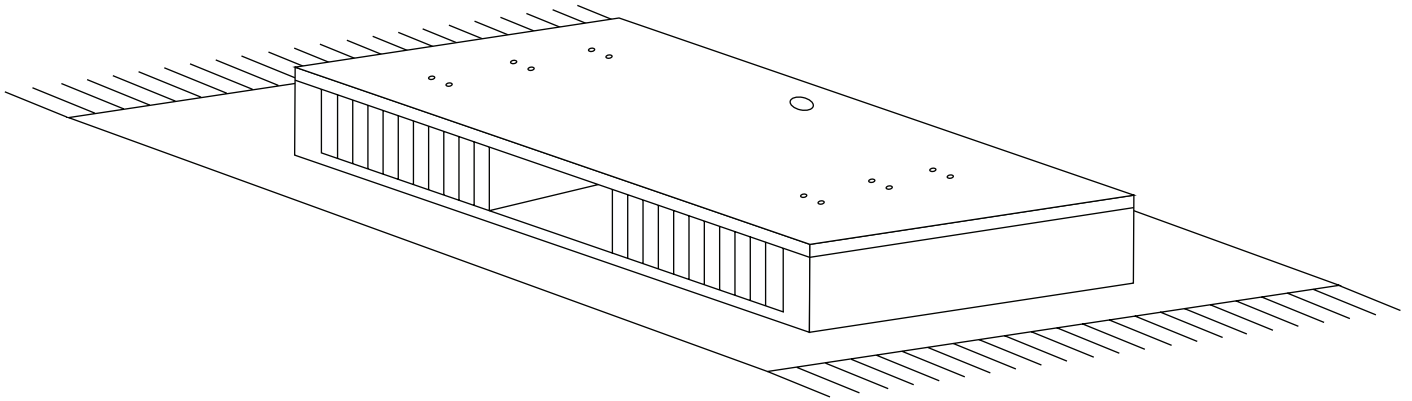
12 pcs



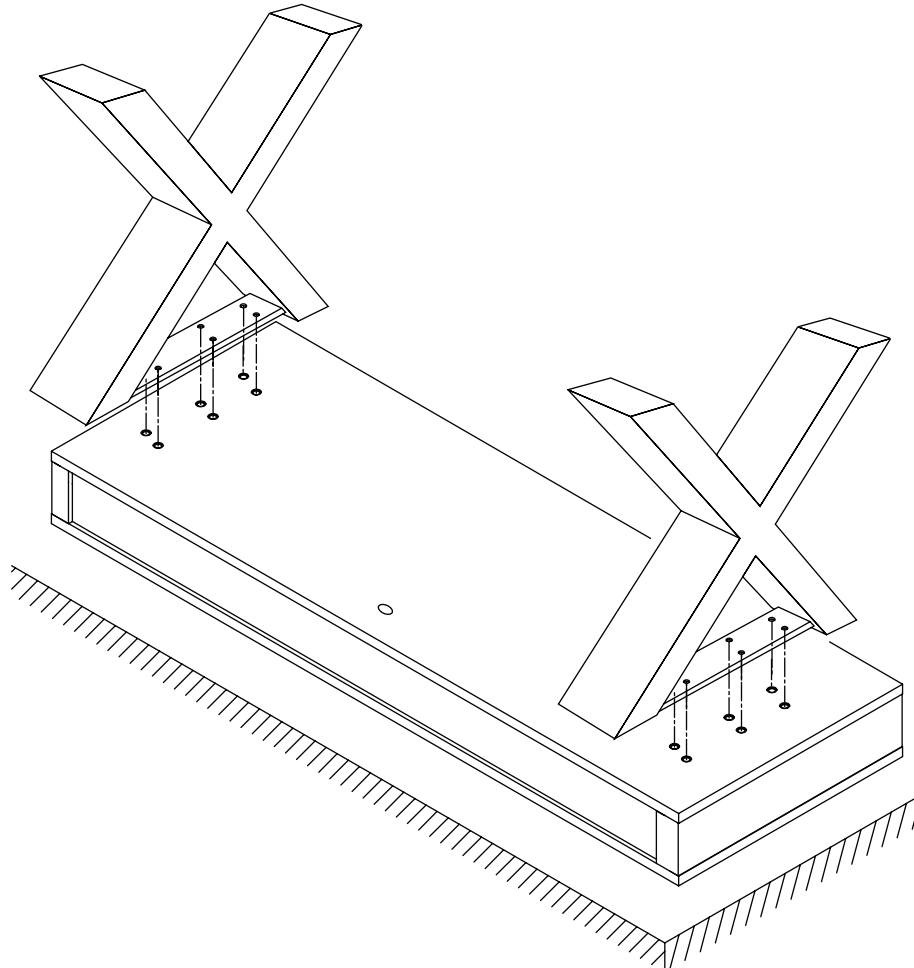
1 pcs

**TAKE CARE WHEN  
HANDLING!**  
Requires 2 people  
for assembly.

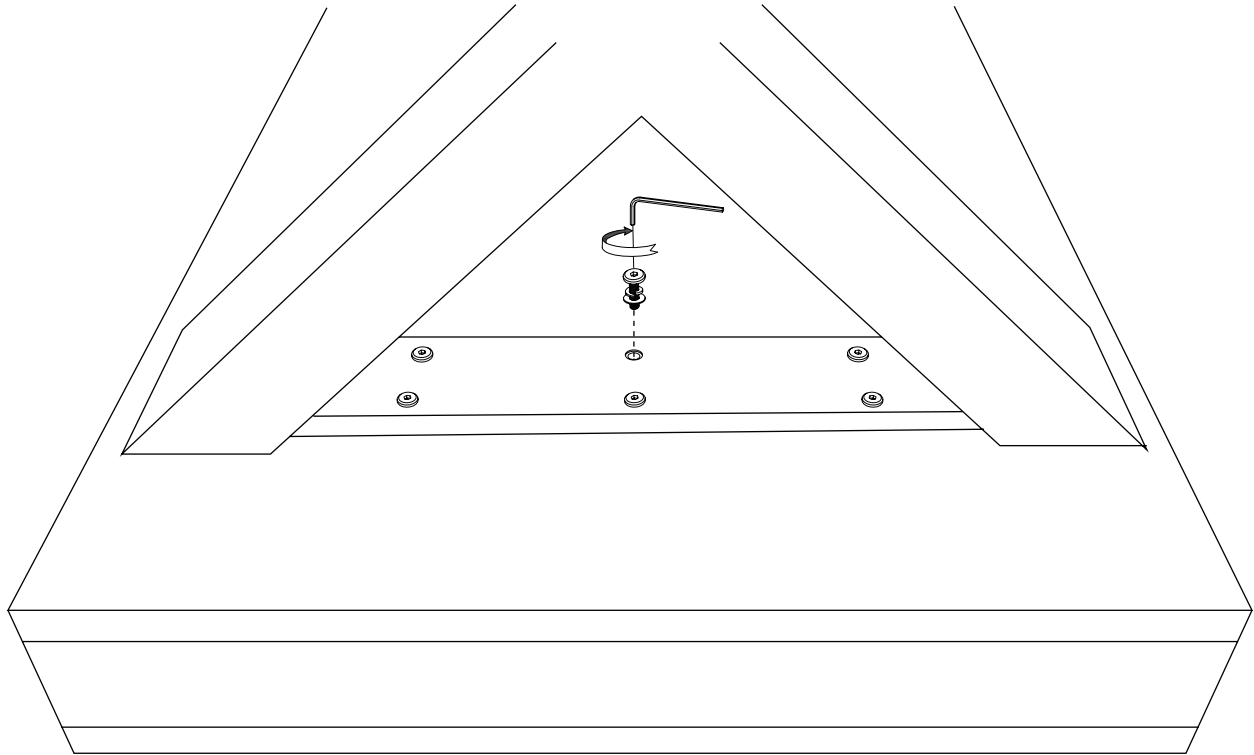
**Step 1:** Before assembling, ensure the desk top is upside down on a soft surface (rug or carpet)



**Step 2:** Locate the bolt holes and secure bolts loosely by hand.



**Step 3:** Once all bolts are loosely tightened, fully tighten the bolts with the supplied Allen key.



**Step 4:** Place the desk upright ensuring to evenly apply pressure to each leg. Uneven pressure can lead to damage.

