

Day Shelving Unit Module 7

246 24 084 - 246 24 145 - 246 24 121 - 246 24 237 - 246 24 183

Thank you for purchasing the Day Shelving Unit. Before you begin to assemble your new piece of furniture, please check to ensure that all hardware and parts have been supplied. This page lists all contents included in the carton(s).

Follow instructions closely as deviation from them may present a possible safety risk and may void your warranty.

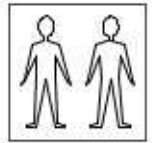
It is recommended that assembly is done on a soft surface such as carpet to avoid any damage. If you experience any problems with your new purchase, please contact Customer Service via the website www.freedom.com.au or www.freedomfurniture.co.nz



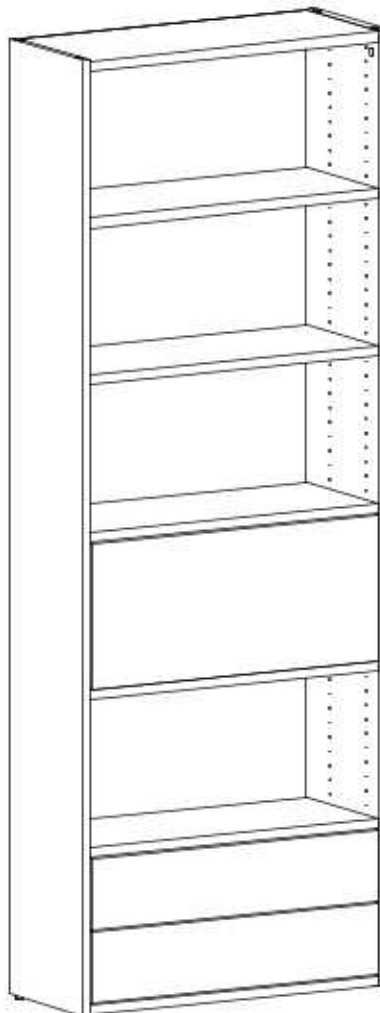
Maximum Weight Load per shelf is 25 KG.

Maximum Weight Load on drop down drawer is 10 KG.

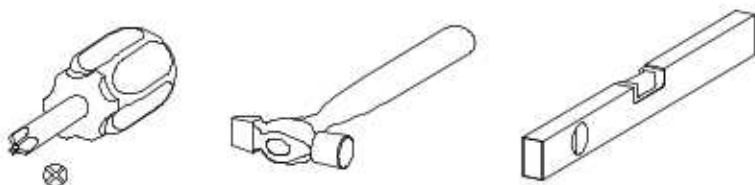
Maximum Weight Load in each drawer is 15 KG.



2 Person
Assembly and
Lifting.

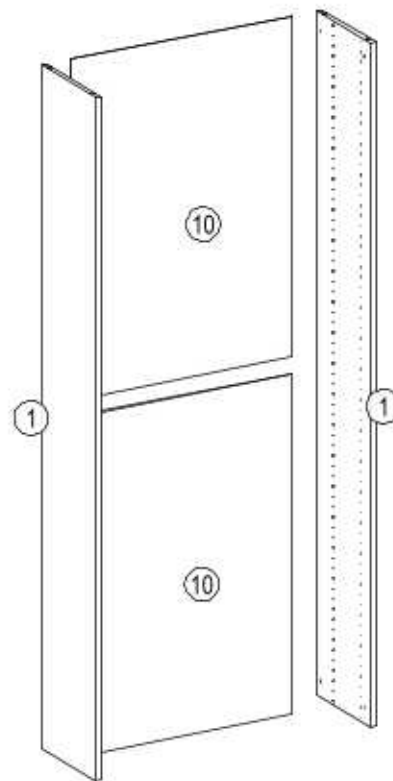
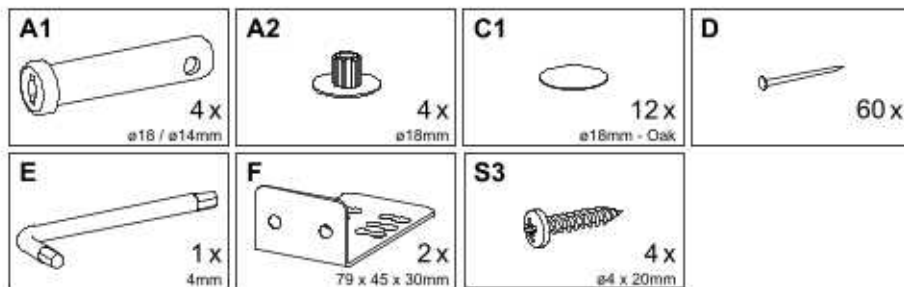


Tools Required (Not Supplied)



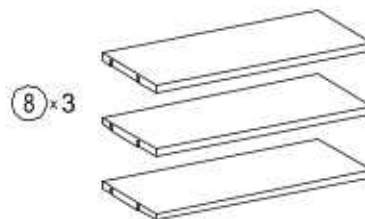
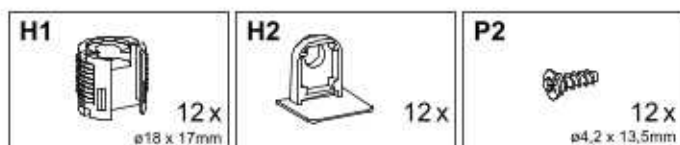
1x Carton no.: **246 24 084**

Parts and Hardware included in box:



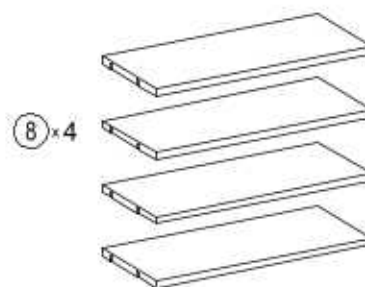
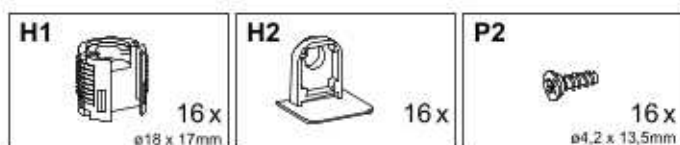
1x Carton no.: **246 24 145**

Parts and Hardware included in box:



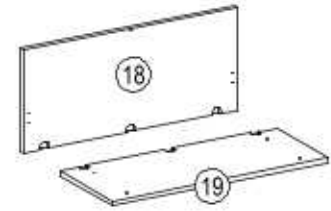
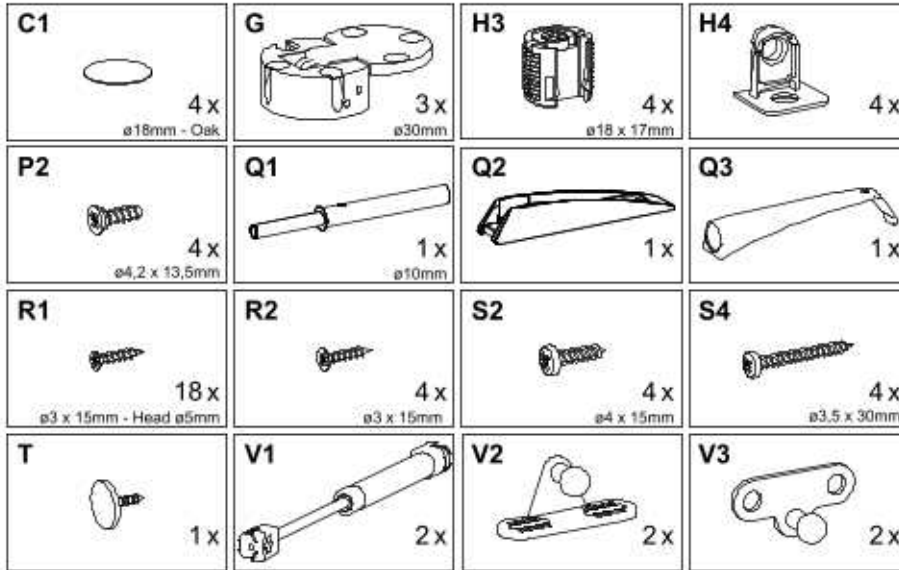
1x Carton no.: **246 24 121**

Parts and Hardware included in box:



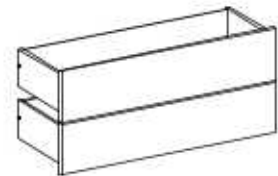
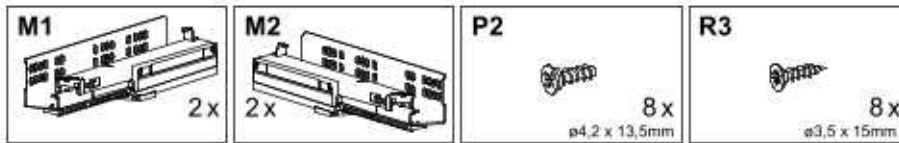
1x Carton no.: 246 24 237

Parts and Hardware included in box.

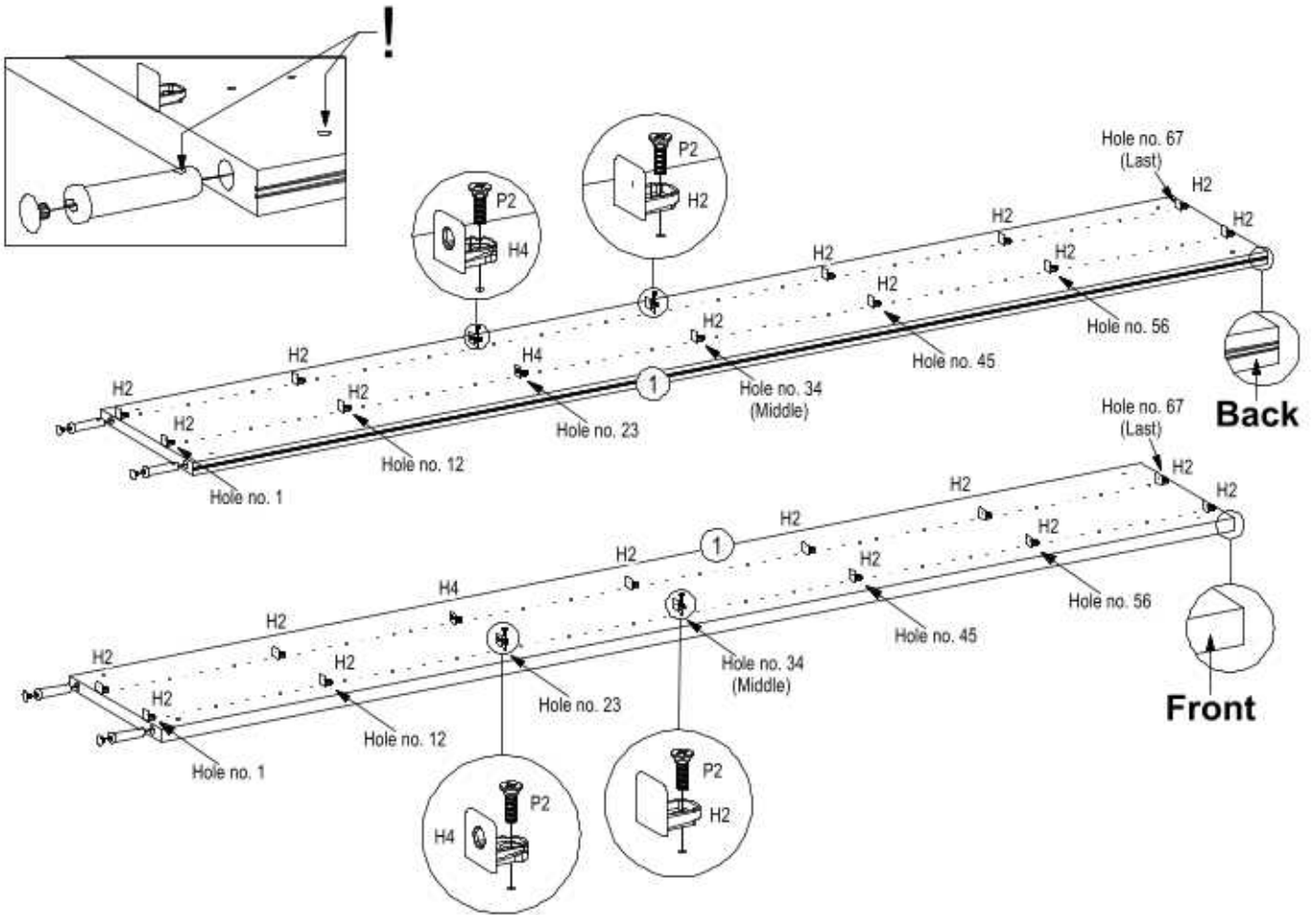
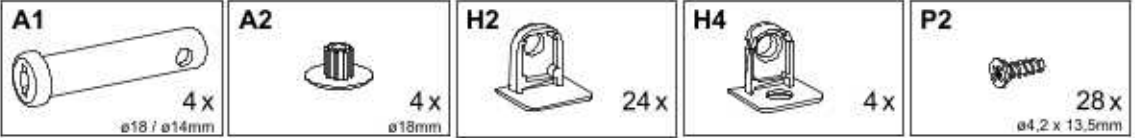


1x Carton no.: 246 24 183

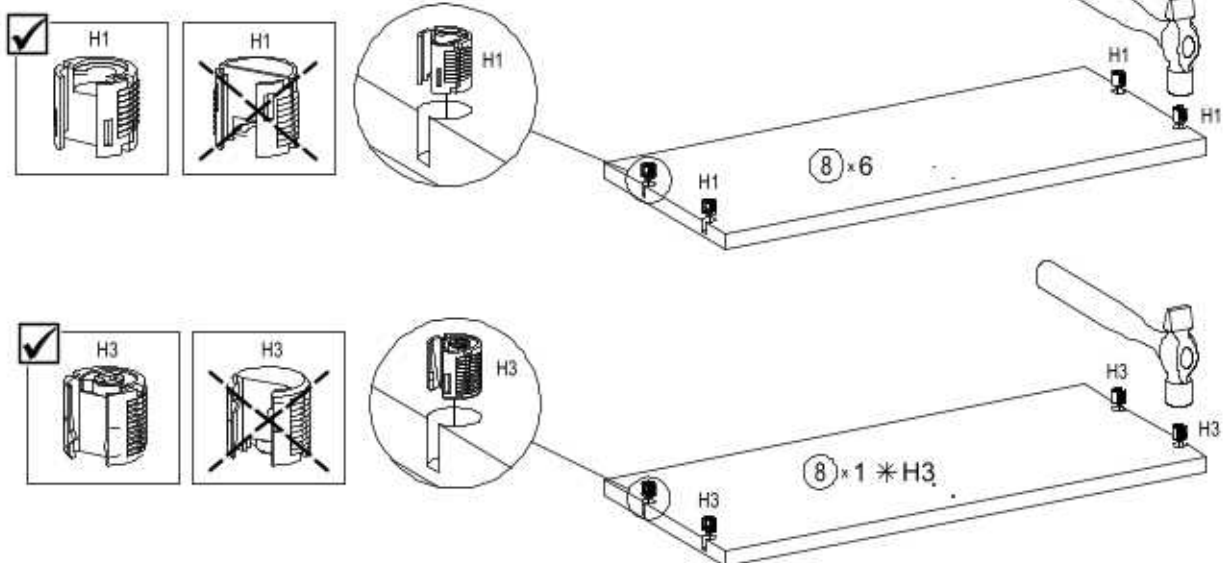
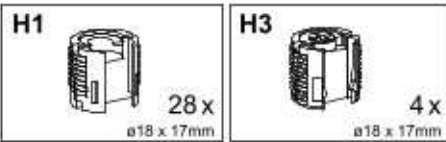
Parts and Hardware included in box.



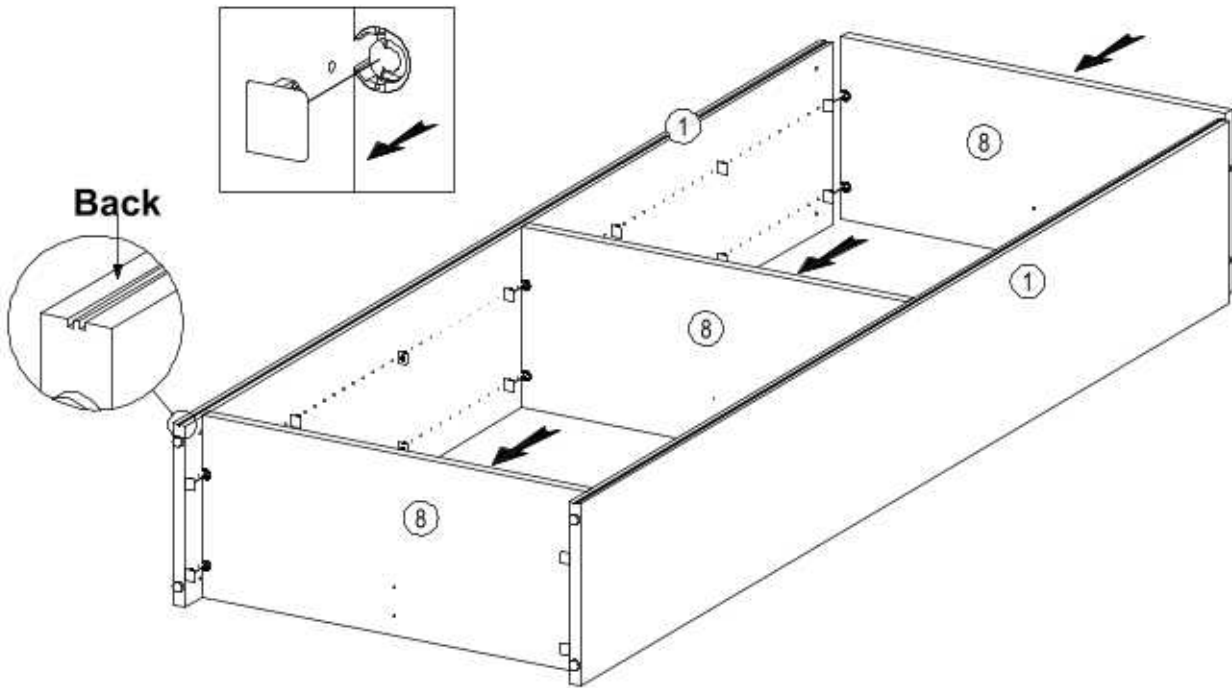
Step 1



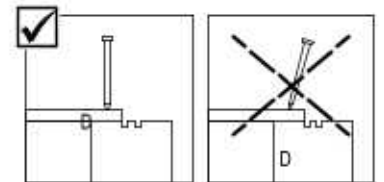
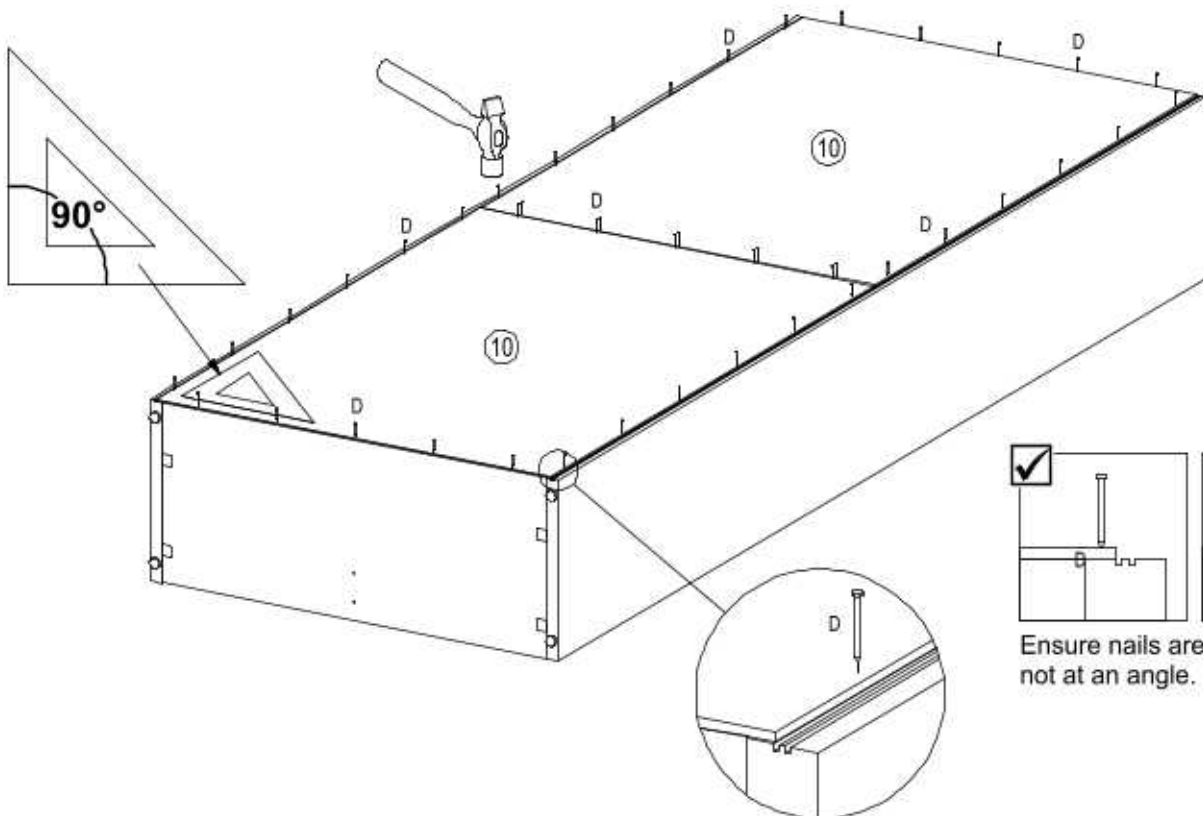
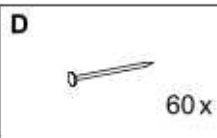
Step 2



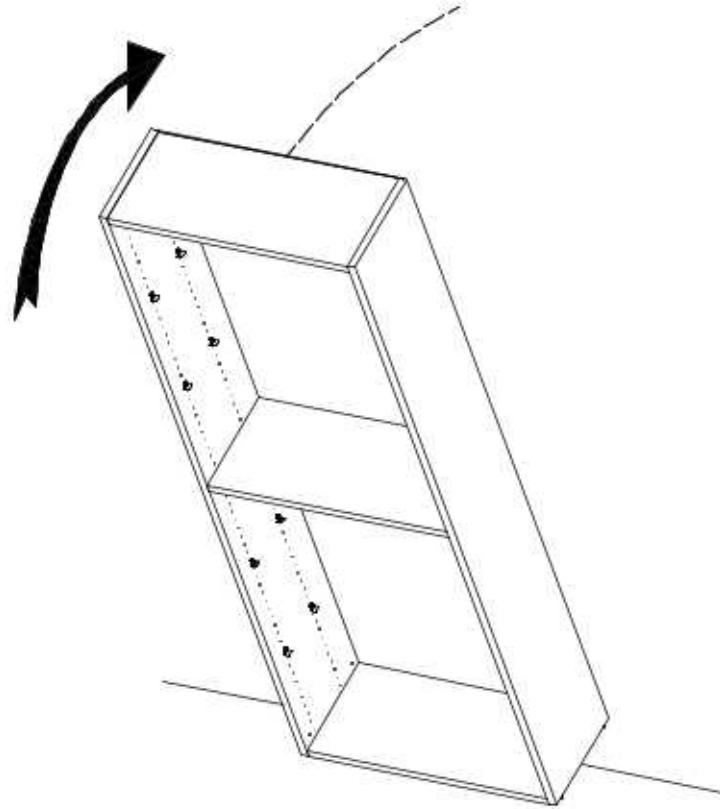
Step 3



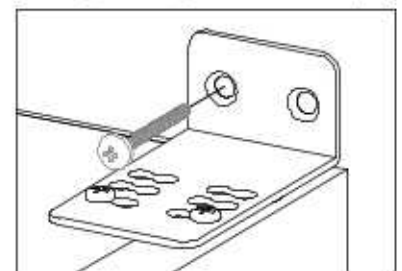
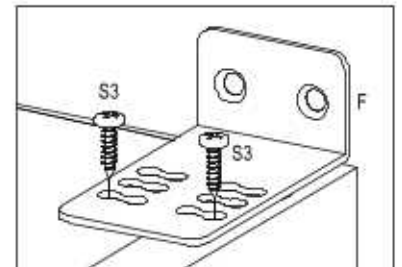
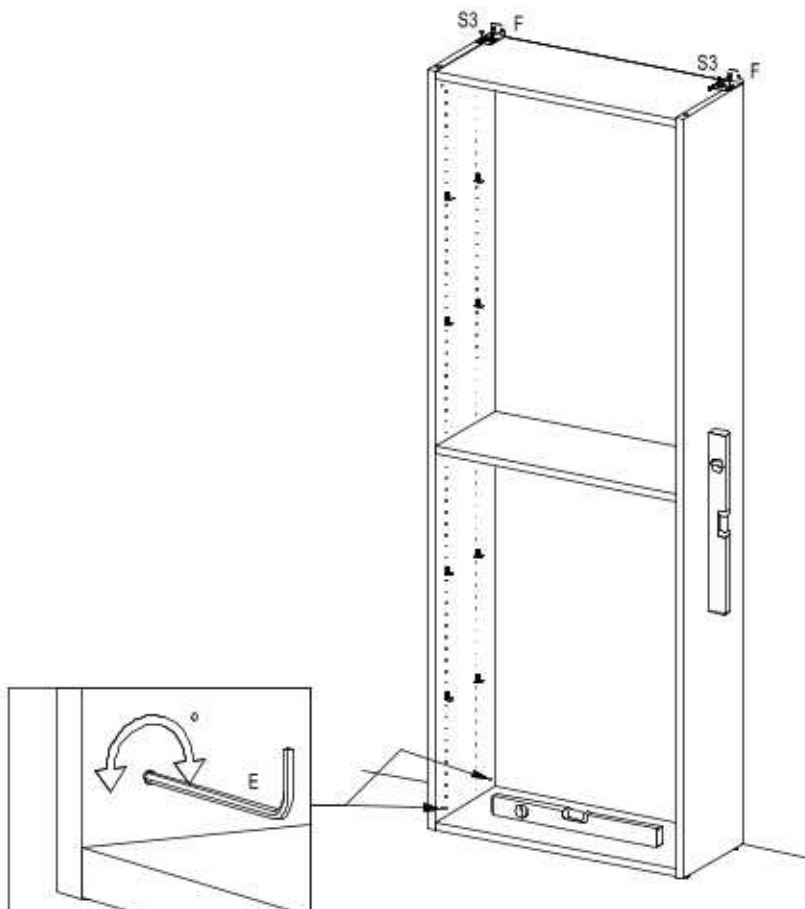
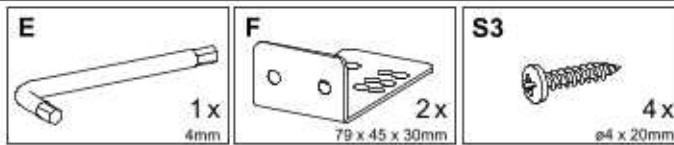
Step 4



Step 5

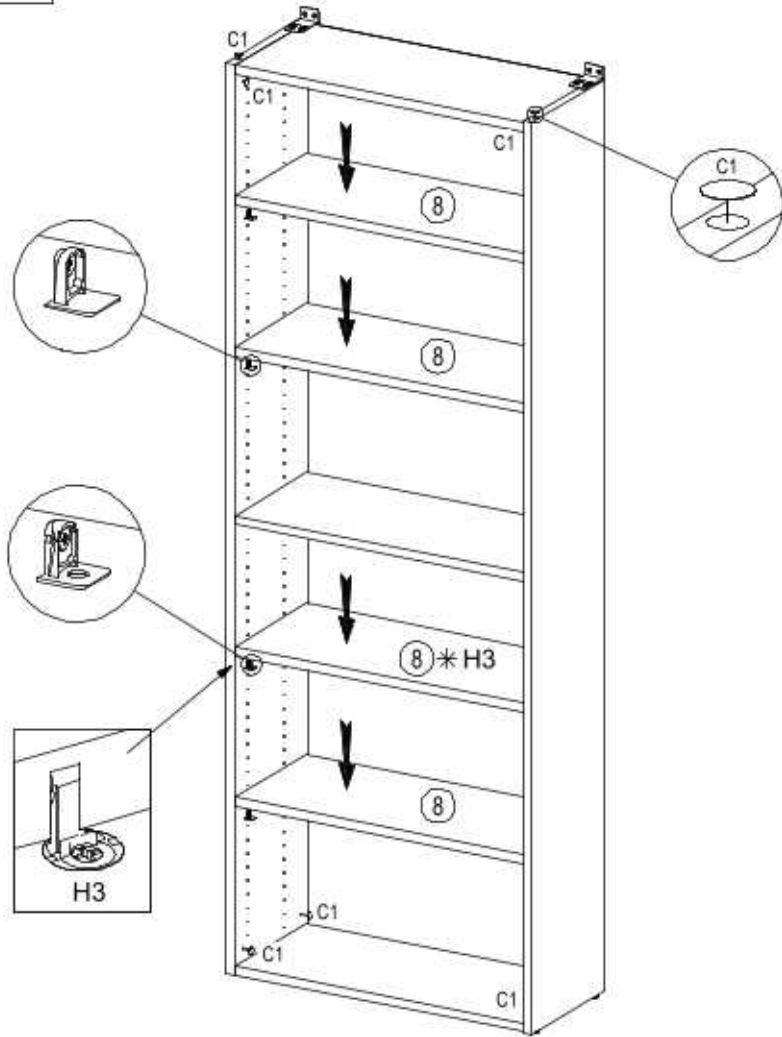
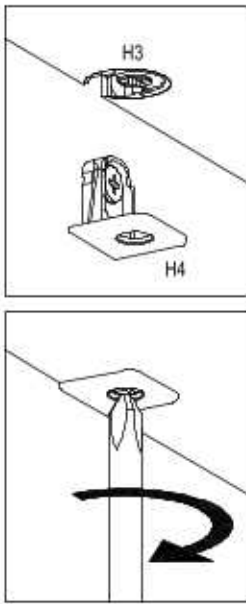
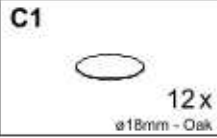


Step 6

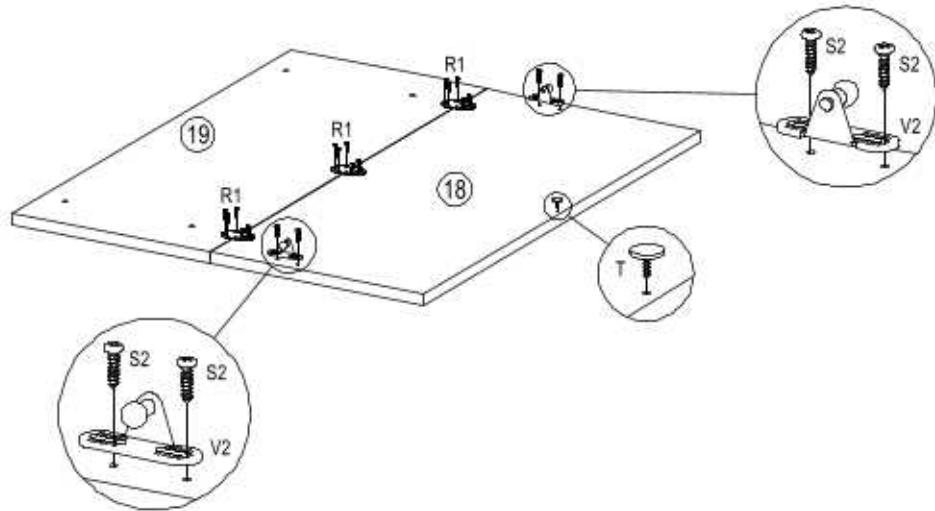
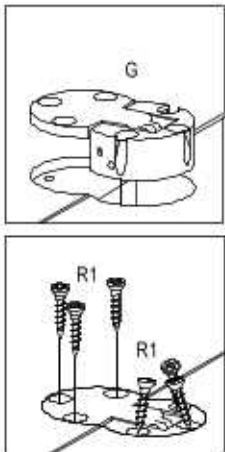


**Screw and wall plugs
NOT included.**

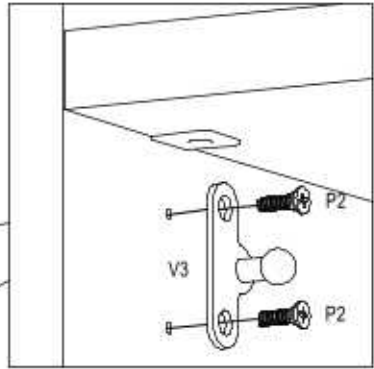
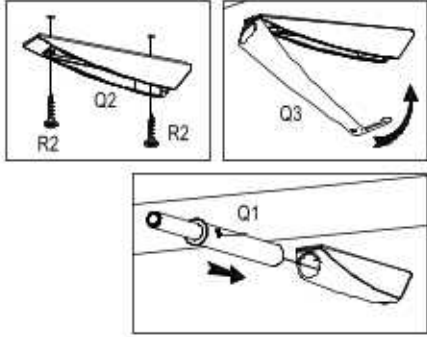
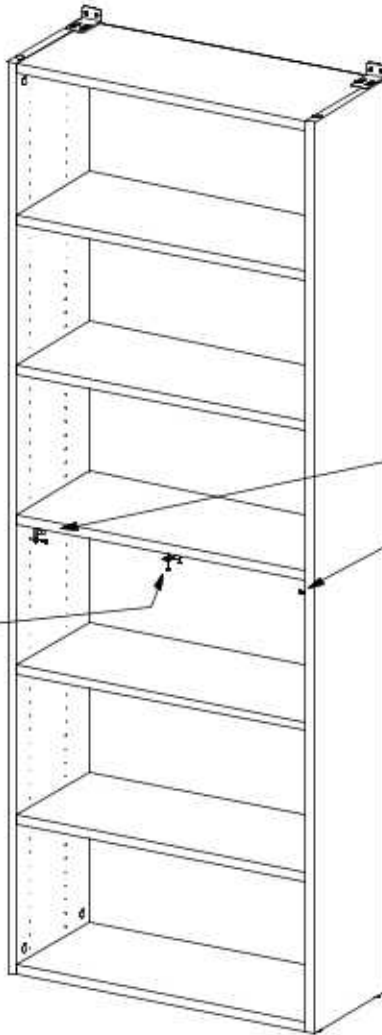
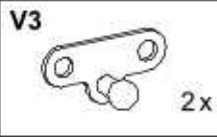
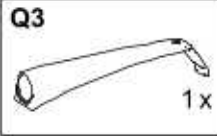
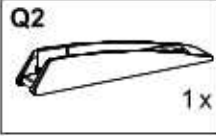
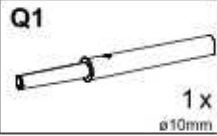
Step 7



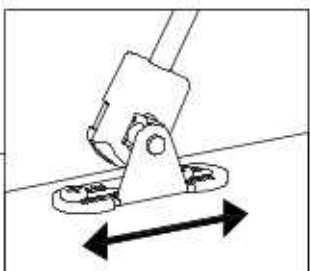
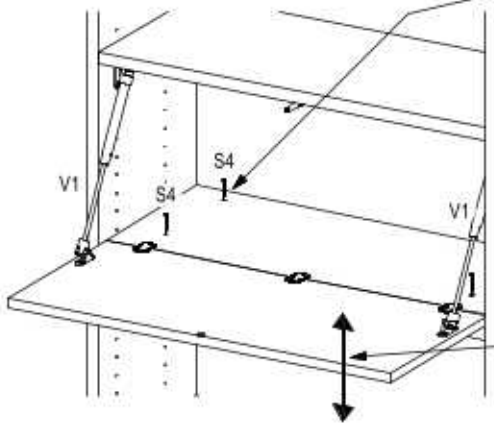
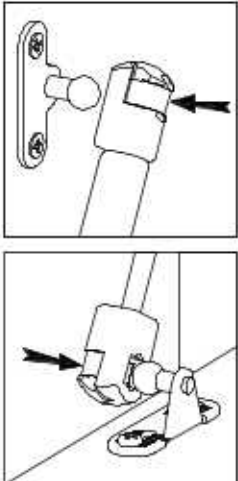
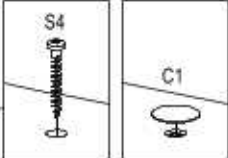
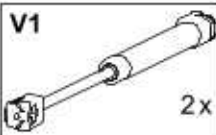
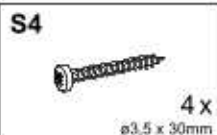
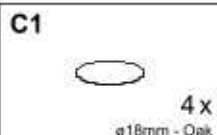
Step 8



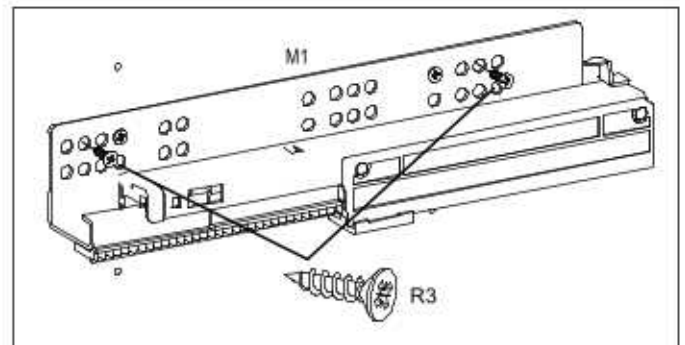
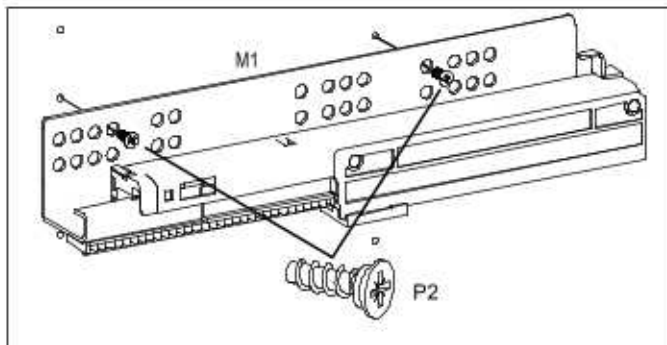
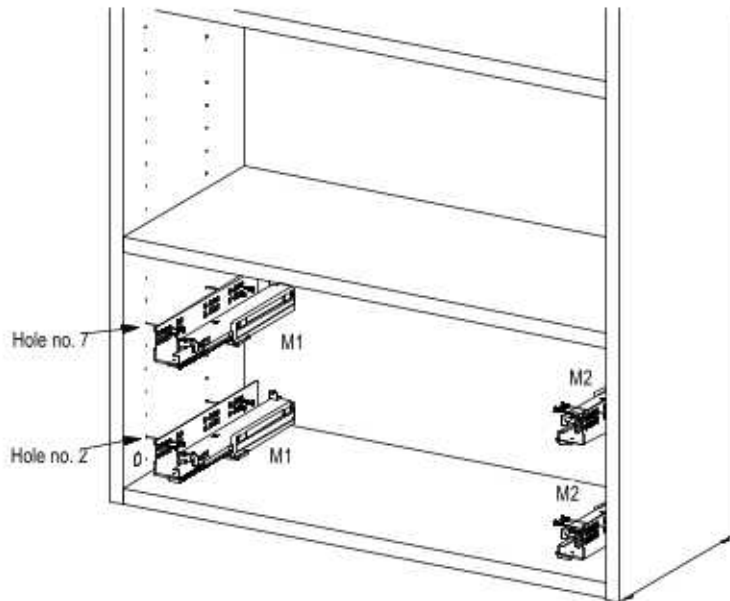
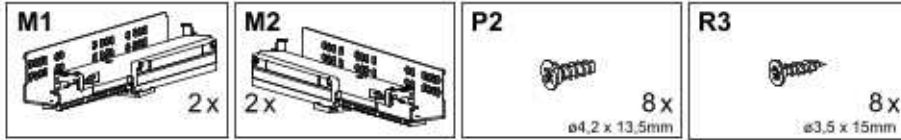
Step 9



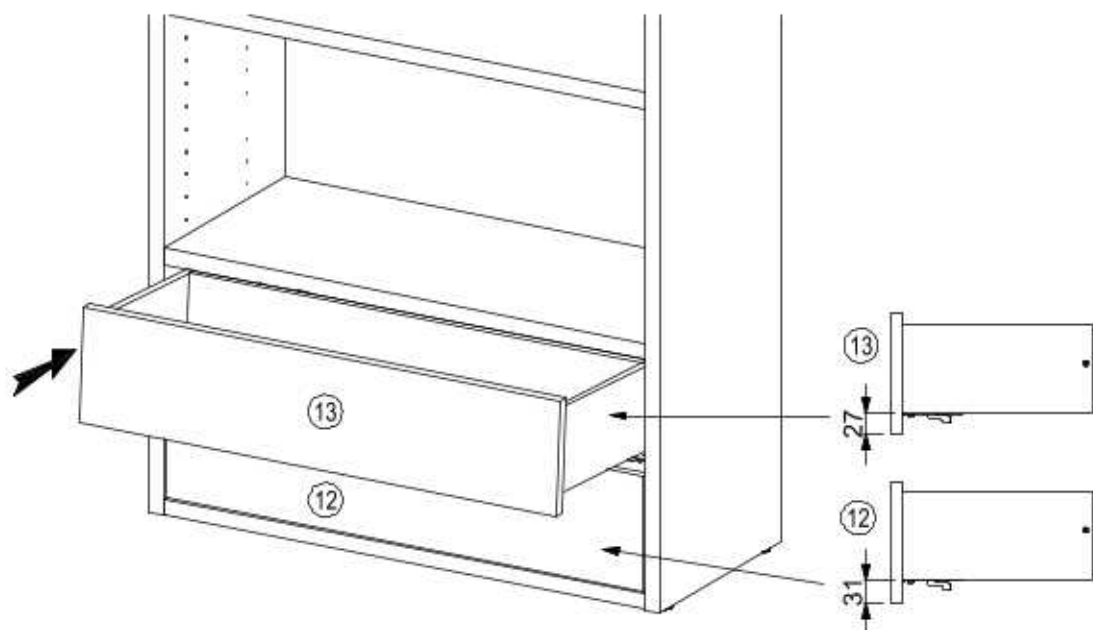
Step 10



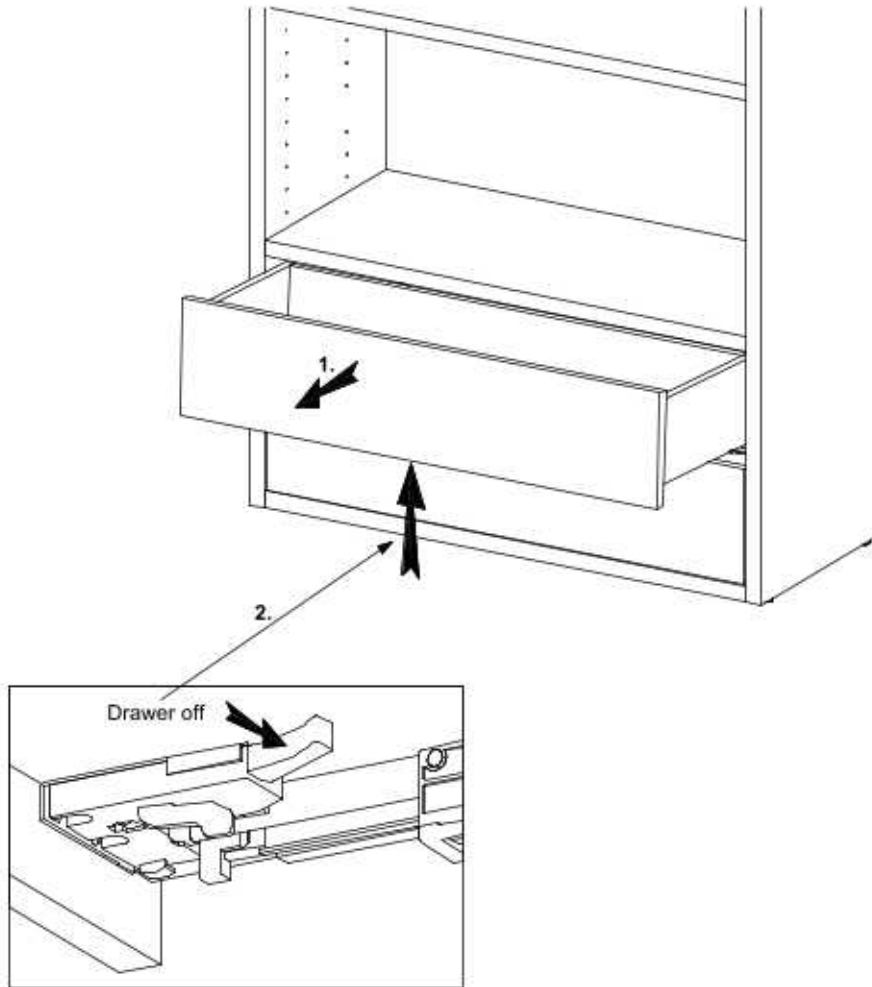
Step 11



Step 12



Step 13



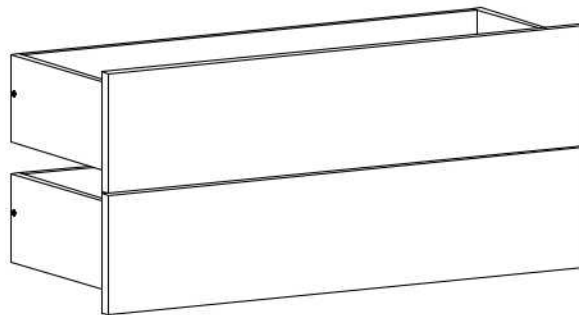
Day Shelving Unit - Drawers

246 24 183

Thank you for purchasing the Day Shelving Unit. Before you begin to assemble your new piece of furniture, please check to ensure that all hardware and parts have been supplied. This page lists all contents included in the carton(s).

Follow instructions closely as deviation from them may present a possible safety risk and may void your warranty.

It is recommended that assembly is done on a soft surface such as carpet to avoid any damage. If you experience any problems with your new purchase, please contact Customer Service via the website www.freedom.com.au or www.freedomfurniture.co.nz





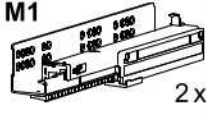
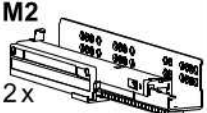
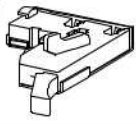
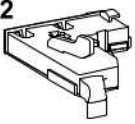





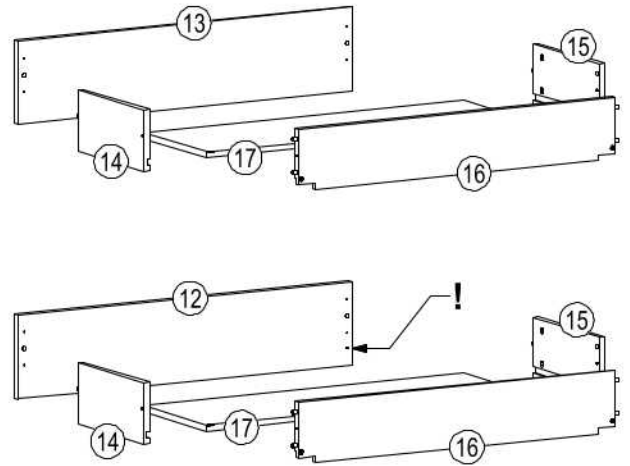
Tools Required (Not Supplied)



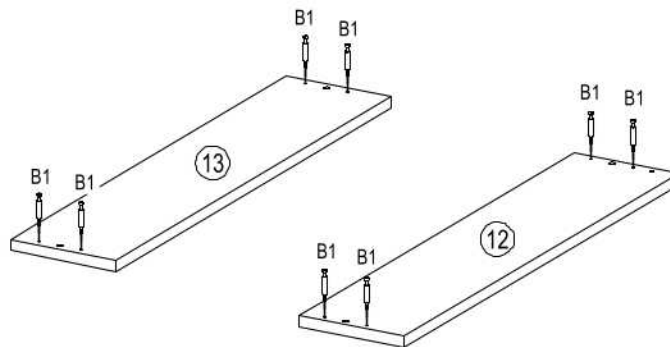
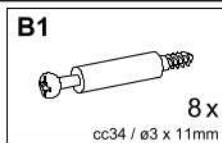
1x Carton no.: **246 24 183**

Parts and Hardware included in box.

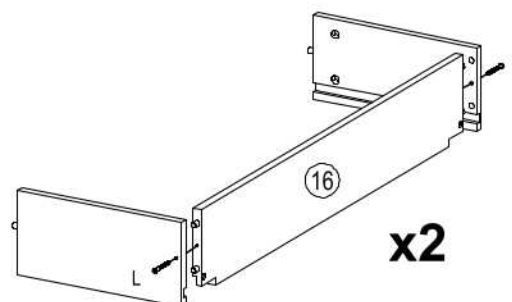
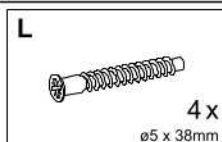
B1  8 x cc34 / ø3 x 11mm	B2  8 x ø12 x 10mm	C2  8 x ø18mm - Charcoal
L  4 x ø5 x 38mm	M1  2 x	M2  2 x
N1  2 x	N2  2 x	
P1  8 x ø4.2 x 9.5mm	R3  8 x ø3.5 x 15mm	S1  6 x ø3.5 x 10mm



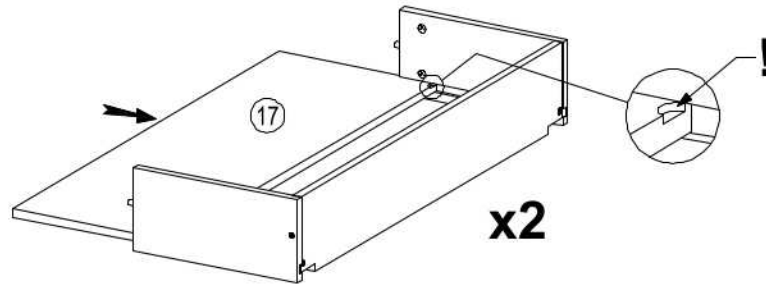
Step 1



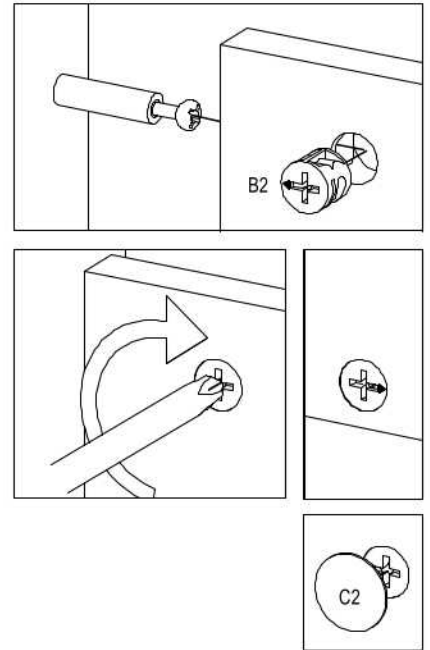
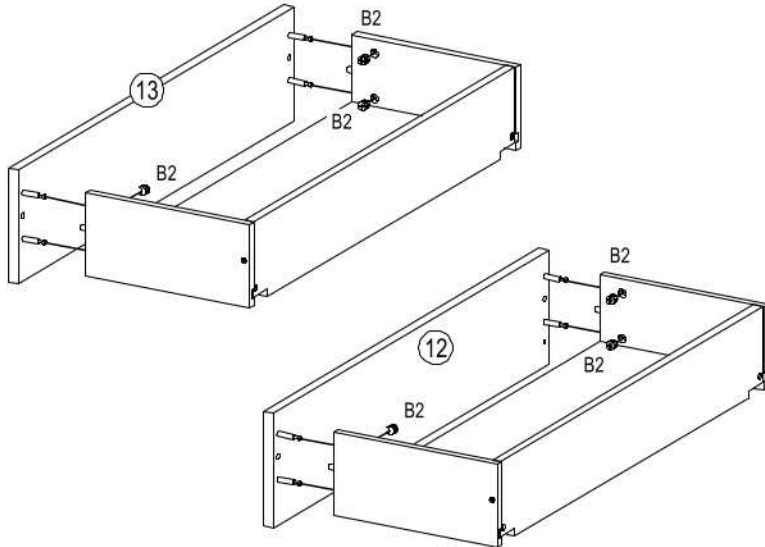
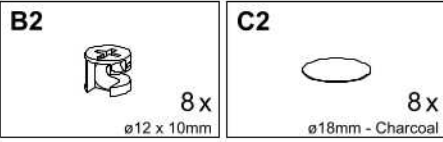
Step 2



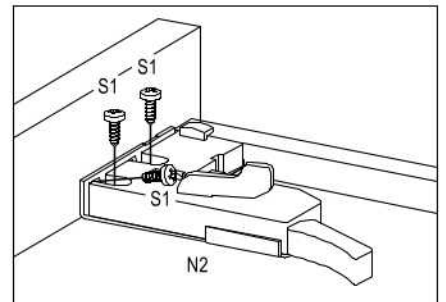
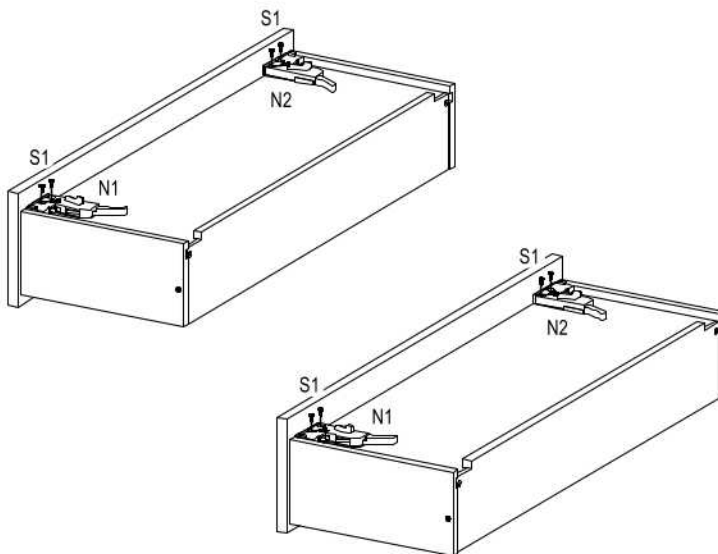
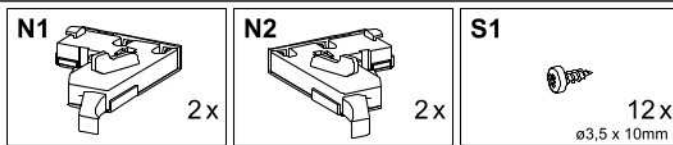
Step 3



Step 4



Step 5



WARNING ADDENDUM

Thank you for purchasing the Day Shelving Unit. Before you begin to assemble your new piece of furniture, please check to ensure that all hardware and parts have been supplied. This page lists all contents included in the carton(s).

Follow instructions closely as deviation from them may present a possible safety risk and may void your warranty.

It is recommended that assembly is done on a soft surface such as carpet to avoid any damage. If you experience any problems with your new purchase, please contact Customer Service via the website www.freedom.com.au or www.freedomfurniture.co.nz

Please see amendment below for attaching the runners to the shelving units.

