

ARLO FREESTANDING HEADBOARD QUEEN/ ARLO FREESTANDING HEARD BOARD KING 24635264/ 24635288

Thank you for purchasing the Arlo Freestanding Headboard Queen / Arlo Freestanding Headboard King. Before you begin to assemble your new piece of furniture, please check to ensure that all hardware and parts have been supplied. This page lists all contents included in the carton(s).

Follow instructions closely as deviation from them may present a possible safety risk and may void your warranty.

It is recommended that assembly is done on a soft surface such as carpet to avoid any damage.

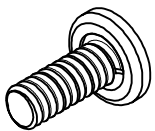
If you experience any problems with your new purchase, please contact Customer Service via the website www.freedom.com.au or www.freedomfurniture.co.nz

Care information

- Use tablecloths, table runners and coasters to help protect surfaces from scratching.
- Dust once a week using a soft cloth or similar duster.
- Only use freedom recommended care products as many supermarket polishes and waxes contain high levels of silicon and petroleum distillate which can damage the surface.
- Polish your furniture every 3 to 6 months, making sure the surface is free from dust before you start.
- Avoid placing hot or wet items directly on the surface as they can leave marks which are difficult to remove.
- Avoid direct sunlight, as this will cause colour change. If the furniture is in direct sunlight, move items like vases around to avoid spotting.
- Avoid applying too much polish as this will build up and need to be removed with a wood-cleaning product.

Hardware (Supplied)

1/4" x 20



Ⓐ x 4

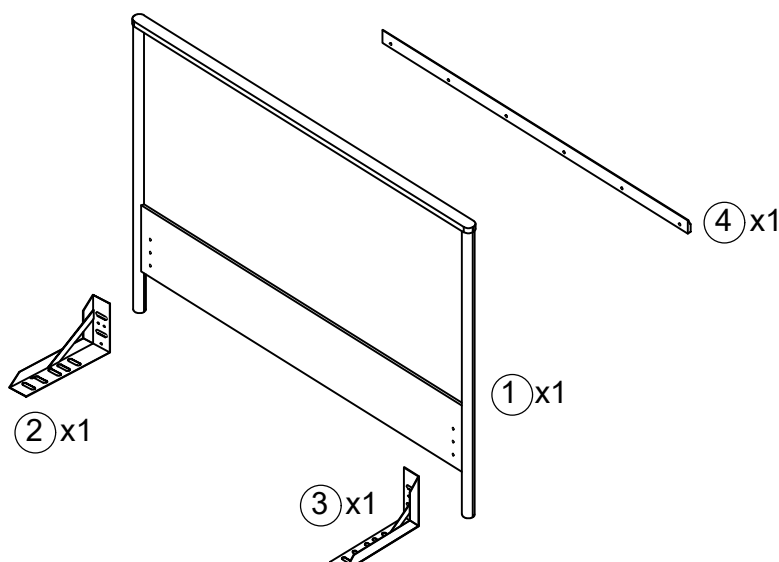


Ⓑ x 4



Ⓒ x 1

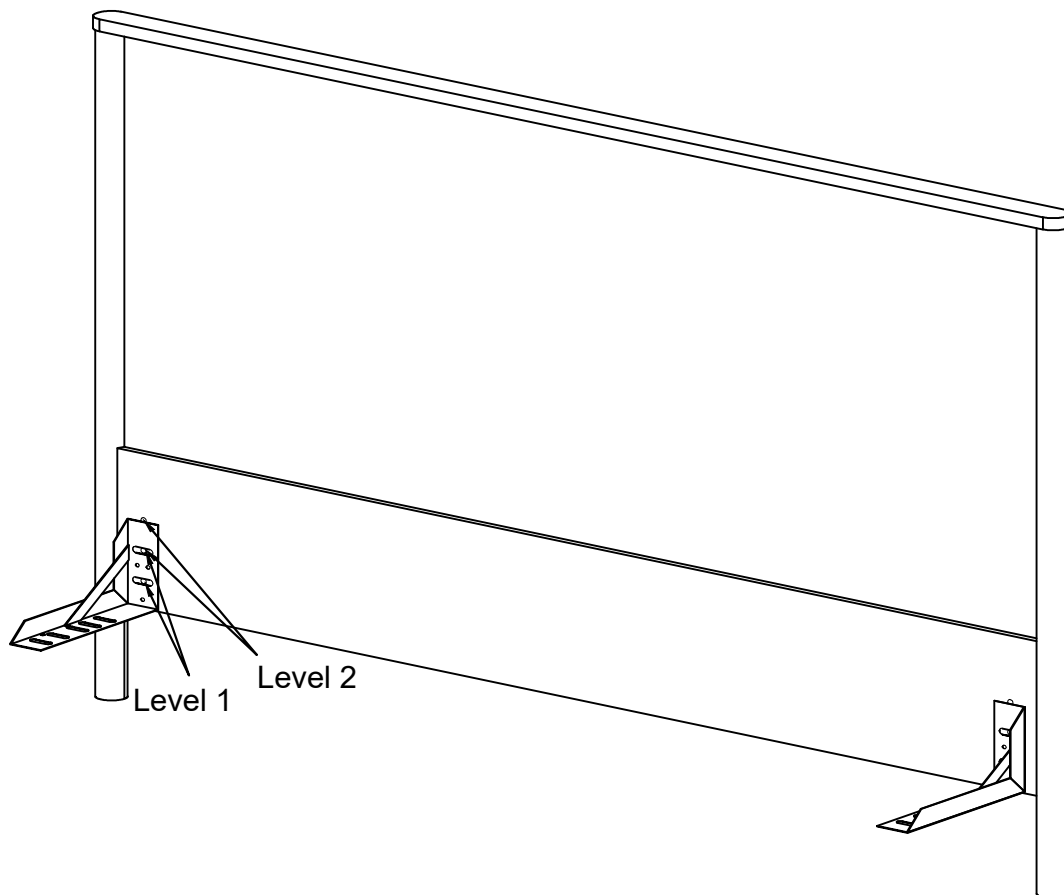
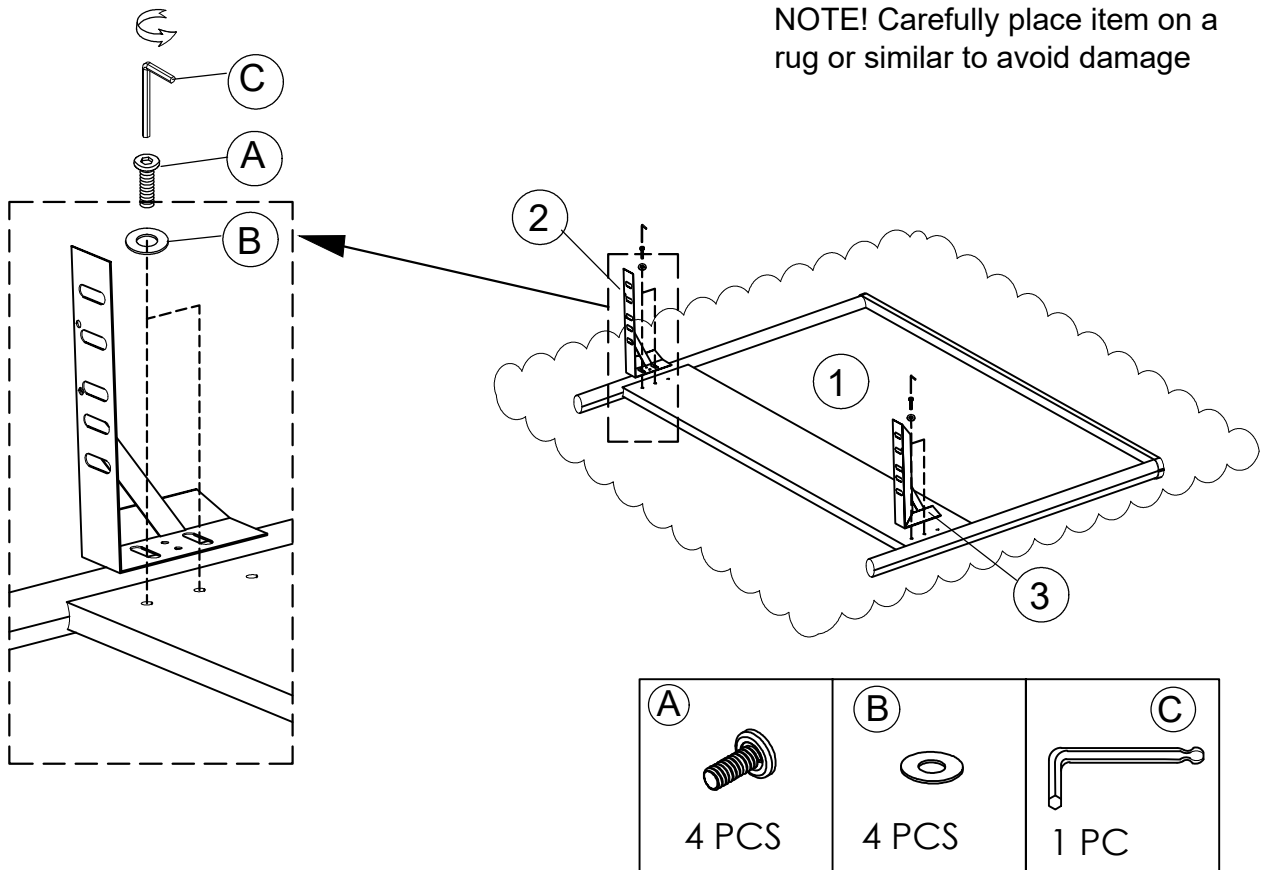
Parts



ARLO FREESTANDING HEADBOARD QUEEN/ ARLO FREESTANDING HEARD BOARD KING 24635264/ 24635288

Step 1

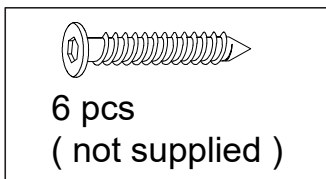
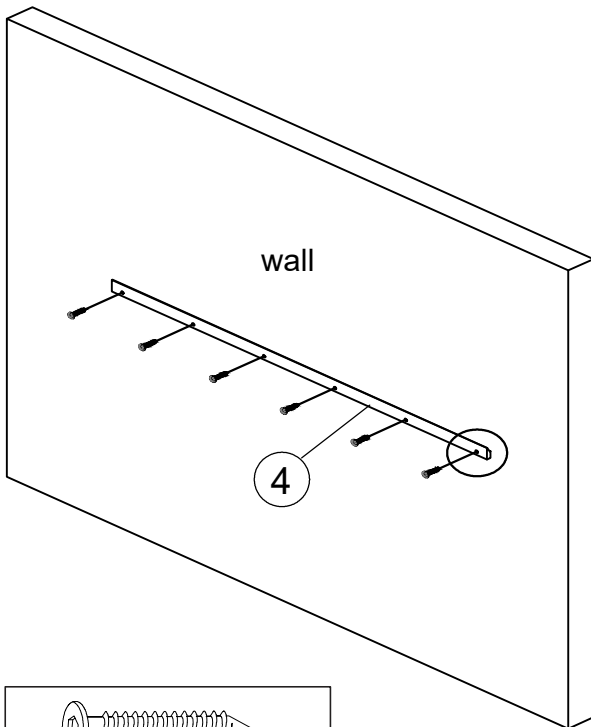
NOTE! Carefully place item on a rug or similar to avoid damage



ARLO FREESTANDING HEADBOARD QUEEN/ ARLO FREESTANDING HEARD BOARD KING

24635264/ 24635288

Step 2

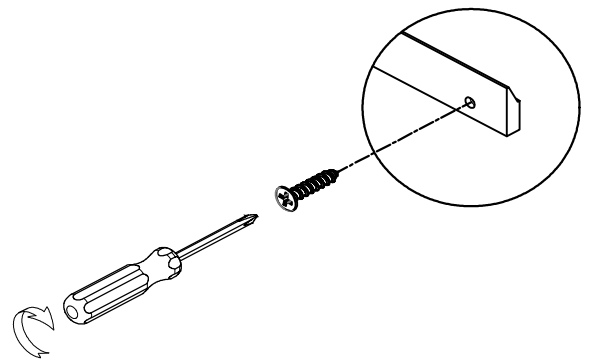


CAUTION

For your safety when attaching the anti-tilt fixings

- Check for any electrical wires or plumbing inside the wall before drilling any holes (if you are ensure please seek professional advice from qualified tradesman.)
- Wall are constructed from different marterials eg: Masonry (solid brick) or plaster board lined cavity walls (hollow). It is important that you use the appropriate wall fixing for your wall type. (Your local hardware will have the necessary drills and fixings and can offer advice if needed, seeking professional advice is recommend)

If you experience any problems with your new purchase, please contact Freedom Customer Service via www.freedom.com.au (Australia) or www.freedomfurniture.co.nz (New Zealand).



Step 3

