

BOREE COFFEE TABLE HIGH NATURAL

24648493



Thank you for choosing the **Boree Round Table**. Before you start assembling your new furniture piece, please ensure that all the necessary hardware and parts have been included. This page provides a comprehensive list of the contents found in the carton(s).

For your safety and to maintain the warranty, it is important to follow these instructions closely. Any deviation may pose a safety risk and could void your warranty.

We recommend assembling the table on a soft surface, such as carpet, to prevent any potential damage.

If you encounter any issues with your purchase, our Customer Service team is here to assist you. You can reach out to us via our website at www.freedom.com.au or www.freedomfurniture.co.nz

Care Information

Full Outdoor Use

This refers to sofas and pieces where the furniture can be kept outdoors. Take care to remove cushions and store inside or in a dry area when not in use. Please read the care label for more information.

- Clean and oil timber furniture regularly (at least monthly) Remove oil and dirt with a stiff brush and use our 'Outdoor Timber Cleansing Wash'. Apply "Outdoor Timber Protective Oil" with a clean cloth or a paintbrush. Leave for a few hours and wipe off excess.
- To prolong the products life span, store in a dry location when not in use or during periods of inclement weather.
- Expansion and contraction of timbers will occur with changes in humidity and temperature. This can cause timber to split which is natural and not considered a fault. Over time, all wooden furniture will naturally change to a grey colour when left exposed to the elements.

BOREE COFFEE TABLE HIGH NATURAL

24648493

Timber Care

We recommend using Freedom Timber Outdoor Protection Kit. It has been formulated in Australia to help nourish and protect your timber from UV, wind and rain damage when used as directed.

How to use the Outdoor Protection Kit.

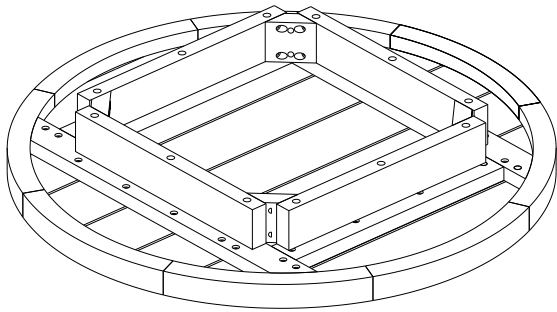
It is recommended the following care is performed annually or after every cleaning to maintain protection.

1. Remove any cushions.
2. Using a dust pan brush, remove any excess dirt or dust from the surface of the outdoor timber.
3. Slightly dampen the microfiber cloth supplied with clean water and clean timber furniture thoroughly, ensuring no dirt or grime is left on surface. All surface to dry.
4. Protect nearby surfaces for accidental overspray (wipe any up immediately).
5. Test by lightly spraying a hidden area. Let dry. Avoid use if you detected any undesirable change in appearance.
6. Spray the Wood Defence 25-30cm from wood, using a slow, back-and-forth motion. Overlap to cover uniformly, do not saturate. Let dry for about 1 hour, then reapply. Two light coats are more effective than one heavy coat.
7. Wash cloth with clean water and dry.

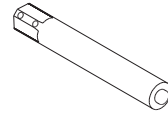
BOREE COFFEE TABLE HIGH NATURAL

24648493

Parts



Part A x 1



Part B x 4

Hardware (Supplied)



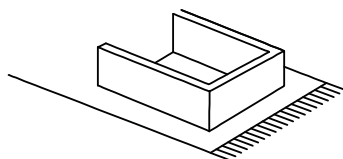
Part 1 x 8
(M6x45)



Part 2 x 8
(Φ6.5/18x2)



Part 3 x 1
(M4)

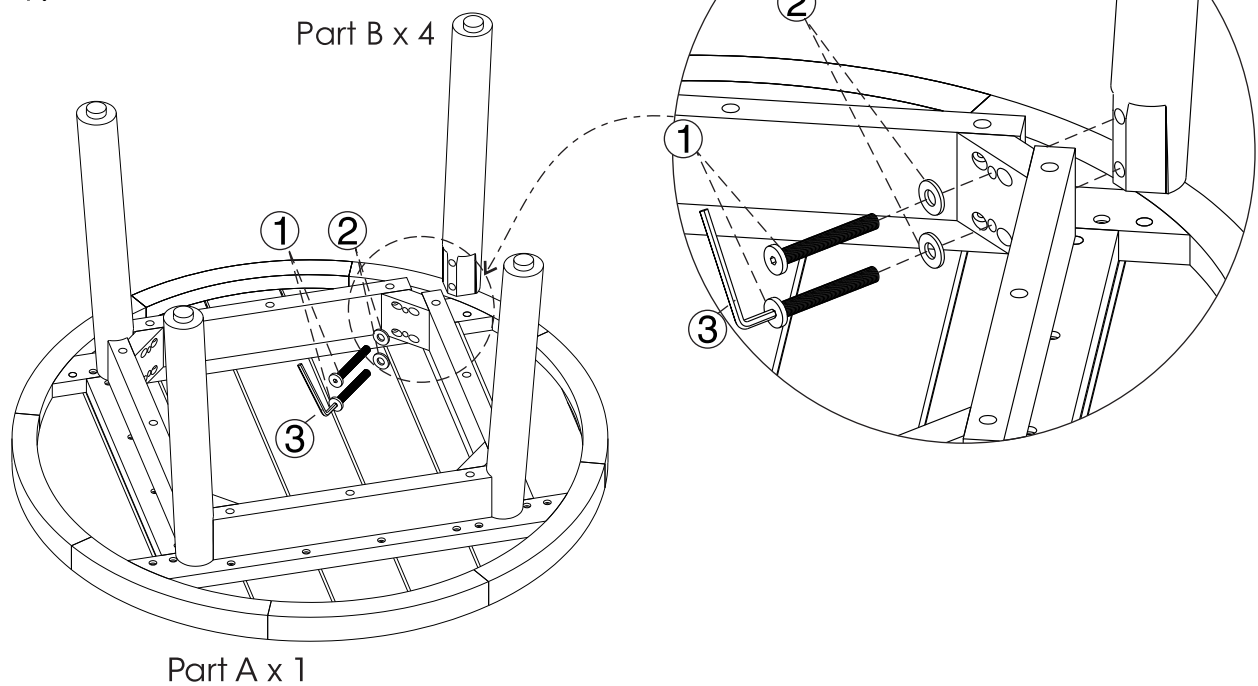


Please assemble on flat and soft surface.

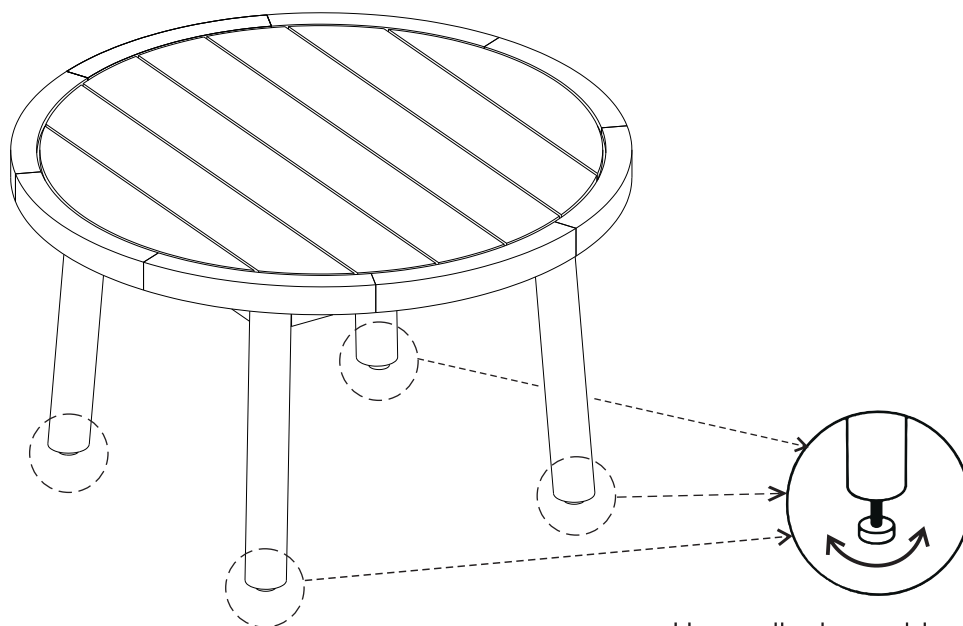
BOREE COFFEE TABLE HIGH NATURAL

24648493

Step 1.



Finished



Use adjusters at base of the feet if ground is uneven.