

Le Vent Sofa 2S Acacia Natural

24652506

Thank you for purchasing the **Le Vent Sofa 2S - Natural**. Before you begin to assemble your new piece of furniture, please check to ensure that all hardware and parts have been supplied. This page lists all contents included in the carton(s). Follow instructions closely as deviation from them may present a possible safety risk and may void your warranty.

It is recommended that assembly is done on a soft surface such as carpet to avoid any damage.

If you experience any problems with your new purchase, please contact Customer Service via the website www.freedom.com.au or www.freedomfurniture.co.nz

Care Instructions

1. It is strongly recommended that the furniture is placed in a shaded and covered area with a hard surface, away from prolonged exposure to sunlight and rain. Avoid placing the furniture in areas where it may come into contact with excessive moisture or humidity, such as near sprinklers or pools.
2. Always use protective covers specifically designed for outdoor furniture when not in use, especially during periods of inclement weather. Ideally, use an outdoor furniture cover that provides adequate protection against UV rays, moisture, and dust to prolong the lifespan of your outdoor furniture – consider Freedom’s outdoor furniture covers.
3. Regularly clean the furniture using a soft brush or cloth to remove dust, dirt, and debris. Avoid using harsh chemicals, abrasive cleaners, or power washers as they can damage the wood finish.
4. Use a mild detergent diluted in water for tougher stains, gently scrubbing the affected areas with a soft brush, then rinse thoroughly with clean fresh water.
5. Apply a high-quality outdoor furniture oil or sealant specifically designed for outdoor timber every six months or as needed to maintain the wood's natural beauty and protect it from environmental elements.
6. Prevent scratches and gouges by using coasters, placemats, or felt pads under items placed on the furniture surface. Avoid dragging heavy objects across the furniture to prevent scratches and damage to the wood finish.
7. During periods of extreme weather conditions, such as heavy rain or snow, consider moving the furniture to a protected indoor area or using additional waterproof covers for added protection.
8. While every effort has been made to provide comprehensive care instructions, Freedom Furniture cannot be held responsible for any damage resulting from improper use, neglect, or failure to follow the recommended maintenance guidelines.

This product requires care. Ask our staff for details.

Le Vent Sofa 2S Acacia Natural

24652506

Hardware (Supplied)



Part A x 4
(M7 x 80)



Part B x 4
(M8 x 50)



Part C x 2
(M8 x 60)



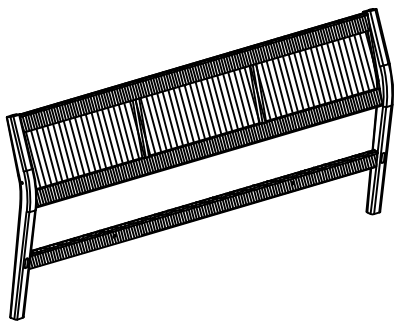
Part D x 2
(M6 x 40)



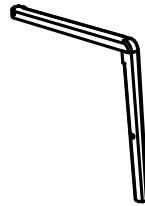
Part Y x 1
(M4)

Tools Required (Not Supplied)

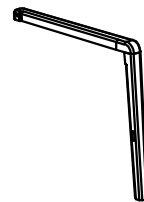
Parts



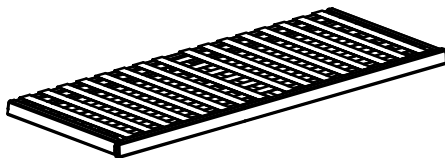
Part (E) x 1



Part (F) x 1



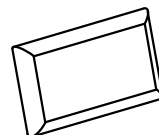
Part (G) x 1



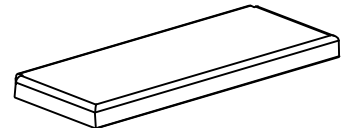
Part (H) x 1



Part (I) x 1



Part (K) x 2

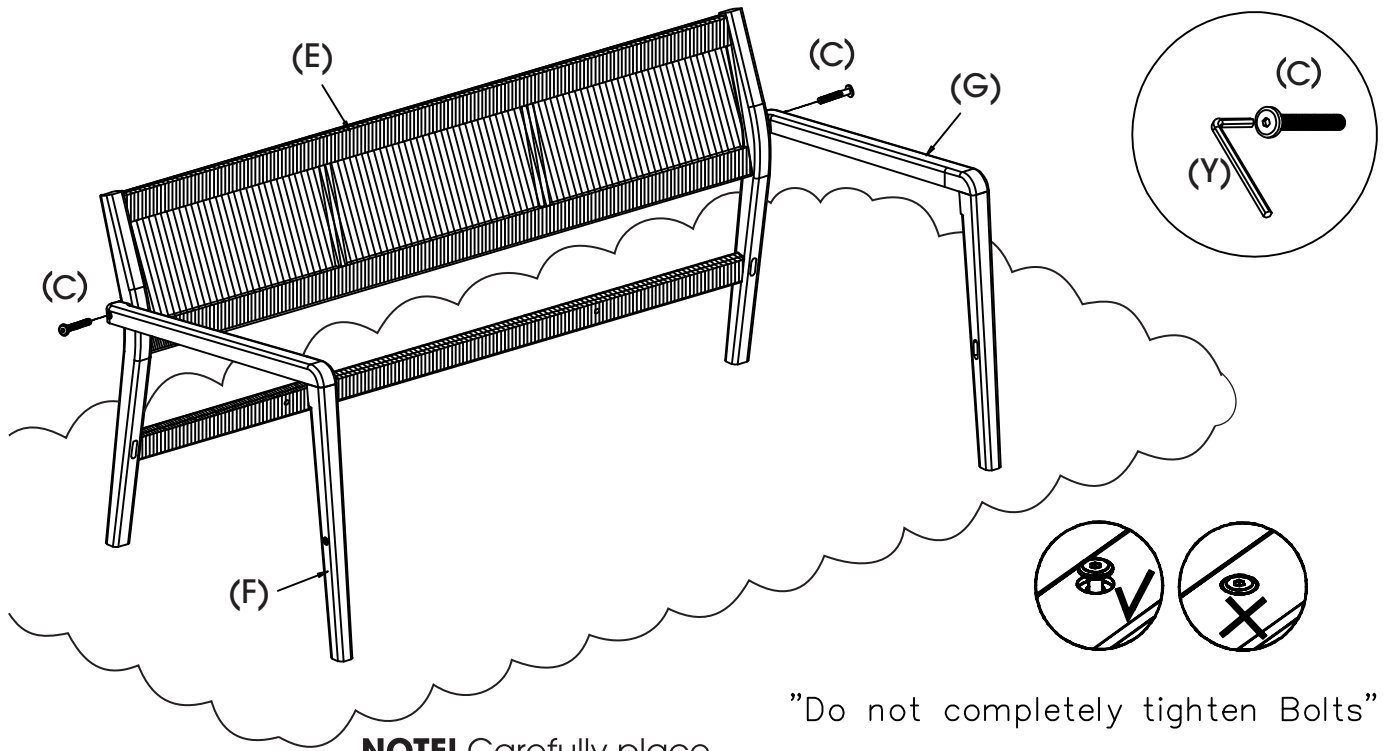


Part (M) x 1

Le Vent Sofa 2S Acacia Natural

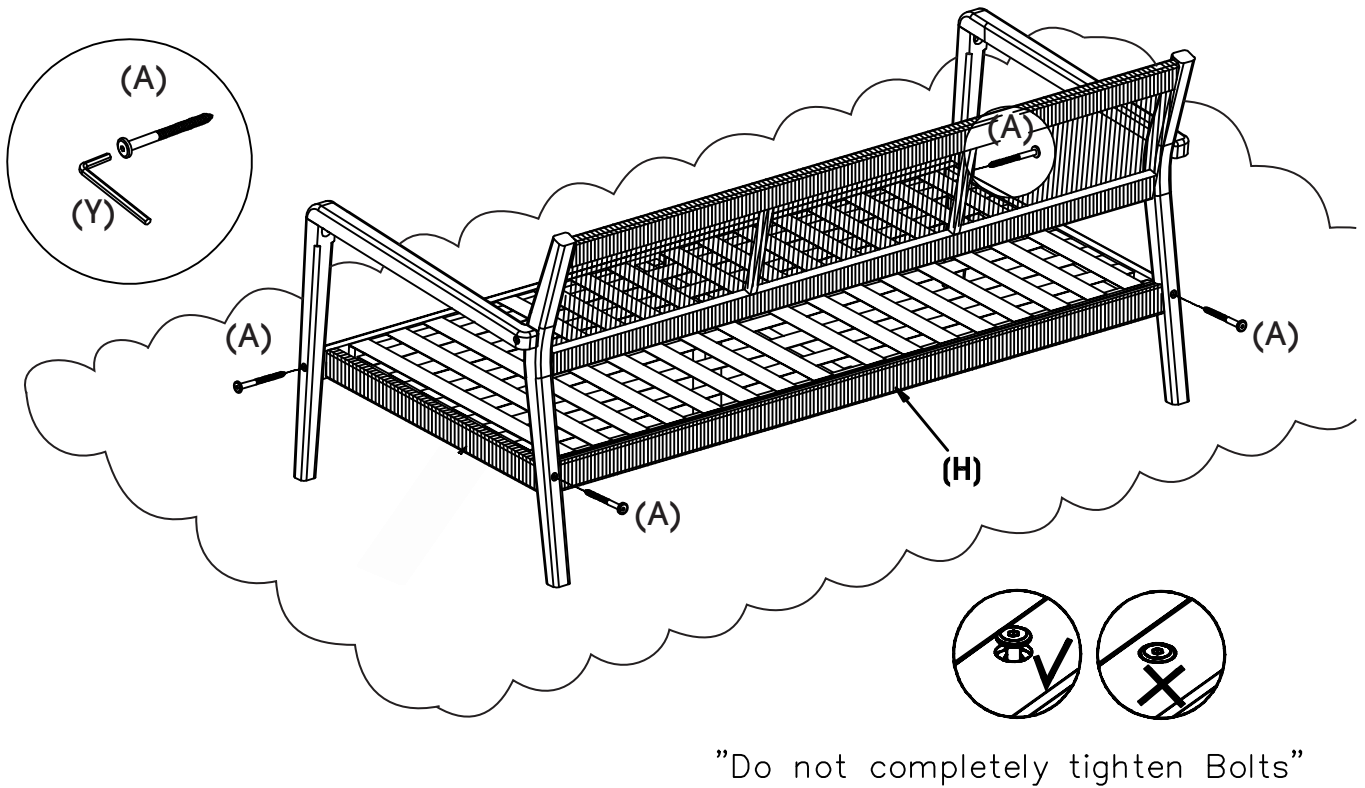
24652506

STEP 1.



STEP 2.

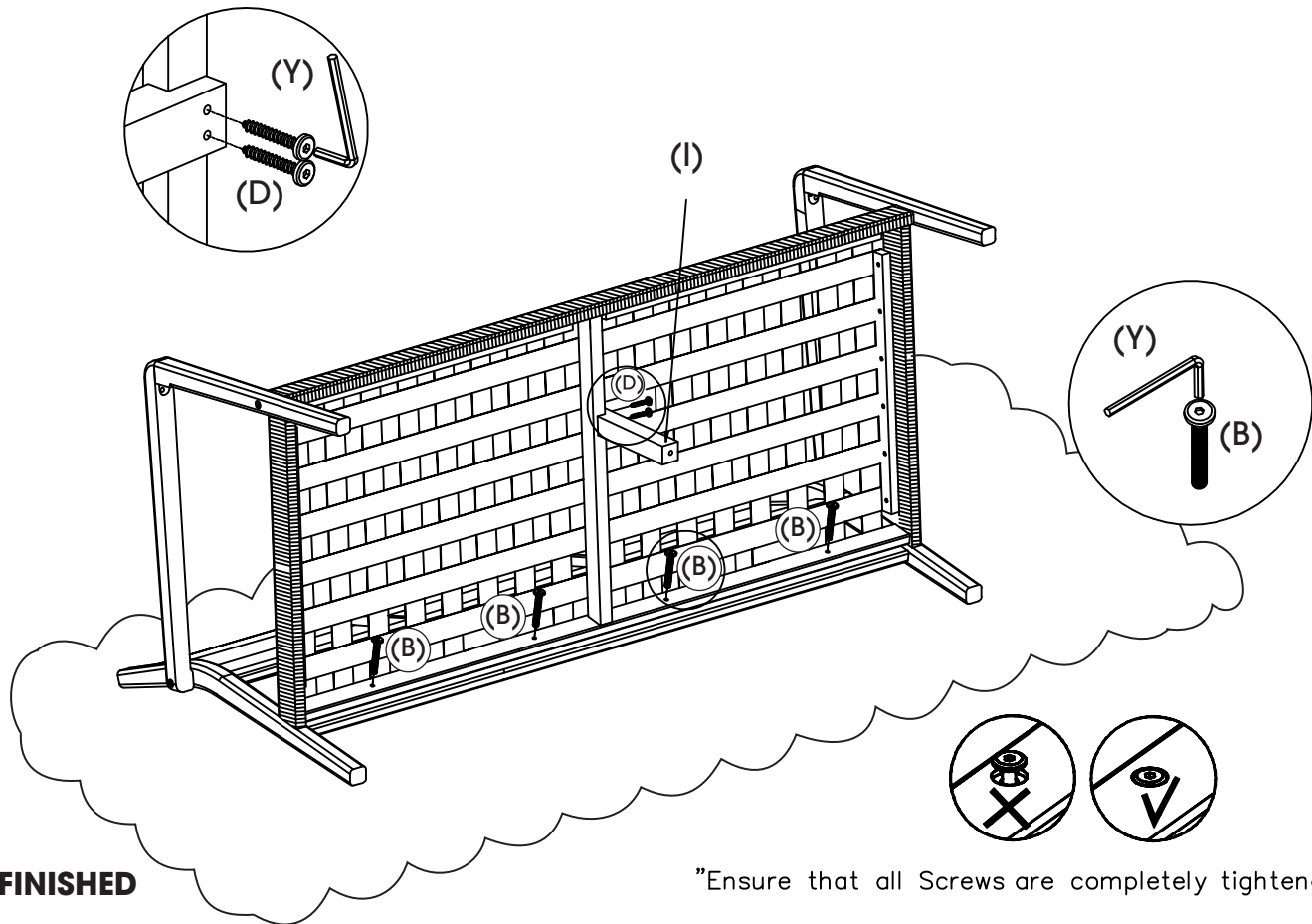
NOTE! Carefully place item on a rug or similar to avoid damage.



Le Vent Sofa 2S Acacia Natural

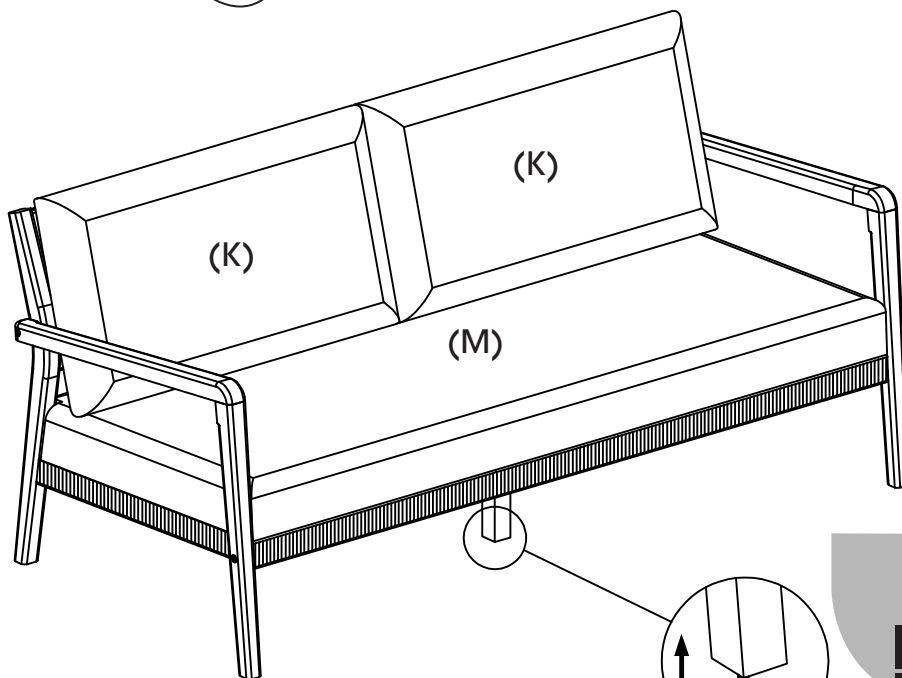
24652506

STEP 3.



FINISHED

"Ensure that all Screws are completely tightened"



IMPORTANT!

Once the piece of furniture is in place, ensure the central support leg/s is adjusted tight to the floor