

ATAMAN OUTDOOR BAR STOOL ALUMINIUM OFF WHITE 24657167



Remove cushions
when not in use

Thank you for purchasing the **ATAMAN Bar Chair With Cushion** . Before you begin to assemble your new piece of furniture, please check to ensure that all hardware and parts have been supplied. This page lists all contents included in the carton(s).

Follow instructions closely as deviation from them may present a possible safety risk and may void your warranty.

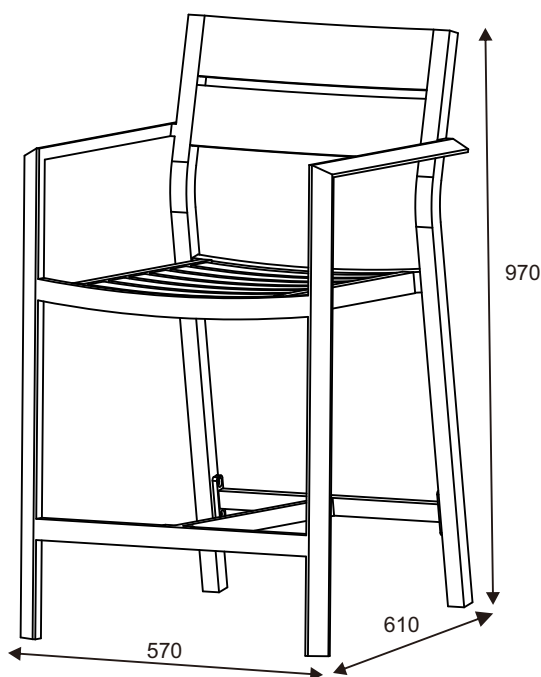
It is recommended that assembly is done on a soft surface such as carpet to avoid any damage.

If you experience any problems with your new purchase, please contact Freedom Customer Service via www.freedom.com.au (Australia) or www.freedomfurniture.co.nz (New Zealand)

Care Information

This product is suitable for Full Outdoor Use - Remove Cushion When Not In Use

- This refers to sofas and pieces where the furniture can be kept outdoors. Take care to remove cushions and store inside or in a dry area when not in use. Please read the care label for more information.
- Furniture made with polyester, man-made wickers and aluminum can be simply washed down with warm soapy water and left to dry naturally. Do this at least twice a year.
- To prolong the products life span, store in a dry location when not in use or during periods of inclement weather.



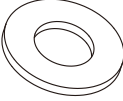
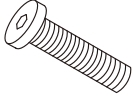
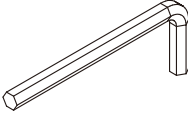
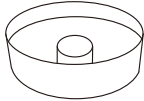
045 Rev 1

ATAMAN OUTDOOR BAR STOOL

ALUMINIUM OFF WHITE

24657167

Hardware (Supplied)

<p>Ax6</p>  <p>Ø14xØ6.5x1.5mm</p>	<p>Bx6</p>  <p>M6x20mm</p>	<p>Cx1</p>  <p>4#</p>	<p>Dx6</p>  <p>Ø14x5.1mm</p>
--	---	---	---

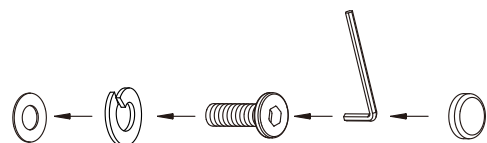
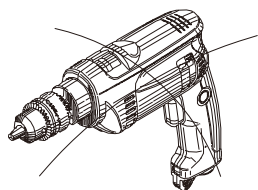


15
min



This assembly requires
two persons

DO NOT USE A
POWERDRILL
TO COMPLETE ASSEMBLY



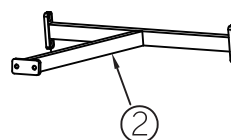
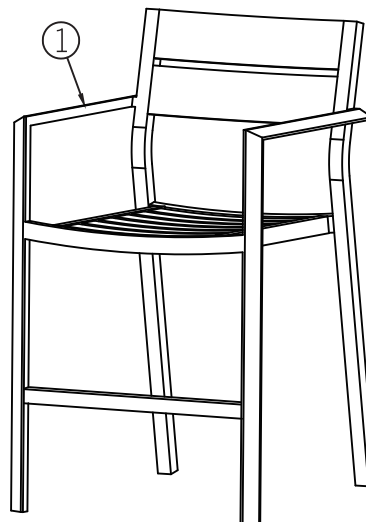
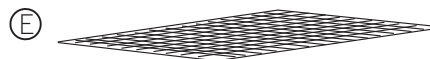
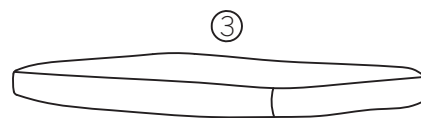
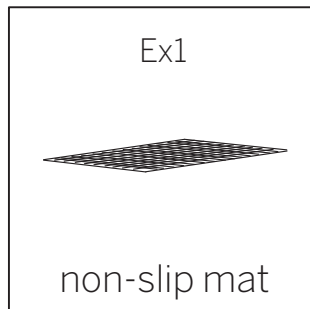
ATAMAN OUTDOOR BAR STOOL

ALUMINIUM OFF WHITE

24657167

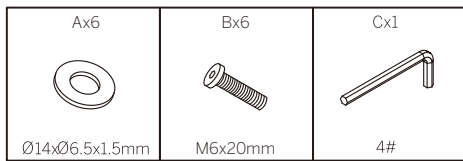
Parts

			✓
1	1	570x610x970	
2	1	555x425x35	
E	1	300X400	

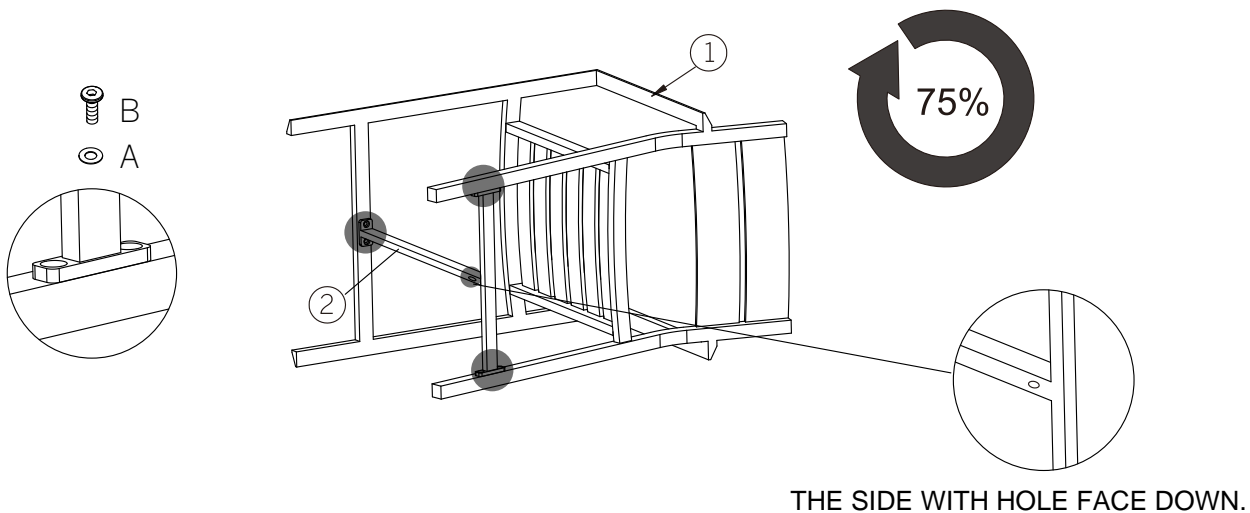


ATAMAN OUTDOOR BAR STOOL ALUMINIUM OFF WHITE 24657167

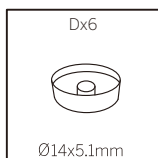
Step 1



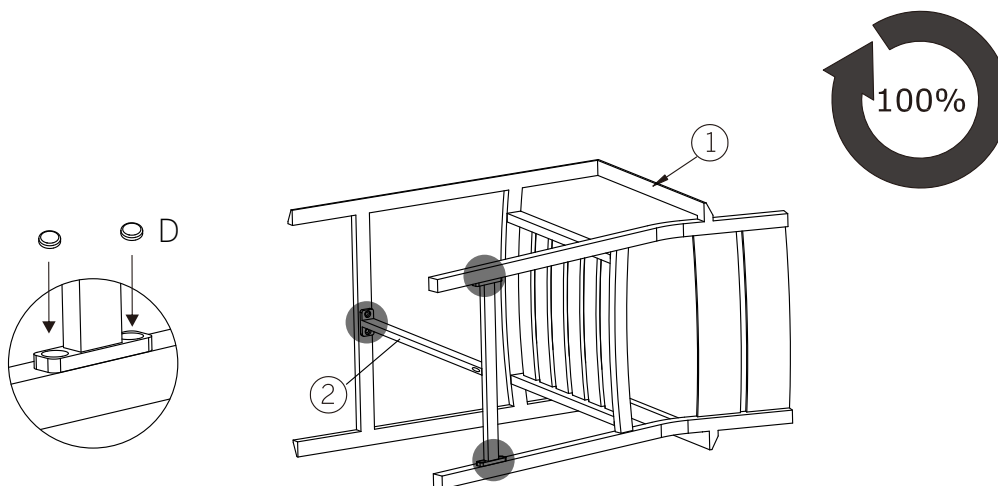
PLACE THE CHAIR ON A FLAT,SOFT SURFACE TO AVOID DAMAGE.
ALIGN HOLES IN PART 2 OVER THREADS IN PART 1.
ATTACH PART 2 TO PART 1 USING BOLTS AS SHOWN BELOW.
COMPLETELY TIGHTEN BOLTS .



Step 2



THEN USE PART D PLUG IN PART B.



ATAMAN OUTDOOR BAR STOOL ALUMINIUM OFF WHITE 24657167

Step 3

