

Talbot Coffee Table 90x111cm Black

24660532



Remove cushions
when not in use

Thank you for choosing the **Talbot Coffee Table 90x111cm Black**. Before you start assembling your new furniture piece, please ensure that all the necessary hardware and parts have been included. This page provides a comprehensive list of the contents found in the carton(s).

For your safety and to maintain the warranty, it is important to follow these instructions closely. Any deviation may pose a safety risk and could void your warranty.

We recommend assembling the table on a soft surface, such as carpet, to prevent any potential damage.

If you encounter any issues with your purchase, our Customer Service team is here to assist you. You can reach out to us via our website at www.freedom.com.au or www.freedomfurniture.co.nz

Care Information

Full Outdoor Use Remove Cushion When Not In Use

This refers to sofas and pieces where the furniture can be kept outdoors. Take care to remove cushions and store inside or in a dry area when not in use. Please read the care label for more information.

- Furniture made with polyester, man-made wickers and aluminium can be simply washed down with warm soapy water and left to dry naturally. Do this at least twice a year.
- To prolong the products life span, store in a dry location when not in use or during periods of inclement weather.

Talbot Coffee Table 90x111cm Black

24660532

How to use the Outdoor Protection Kit.

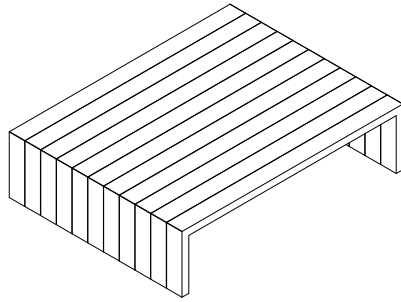
It is recommended the following care is performed every 2 months.

1. Remove any cushions.
2. Slightly dampen the microfiber cloth supplied with clean water then spray the Cleansing Wash onto cloth from approximately 10cm away. Allow the mist to evenly disperse onto the cloth.
3. Wash cloth with clean water and dry.

Talbot Coffee Table 90x111cm Black

24660532

Parts

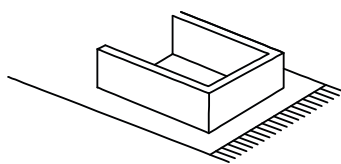


Part A x 1

Hardware (Supplied)



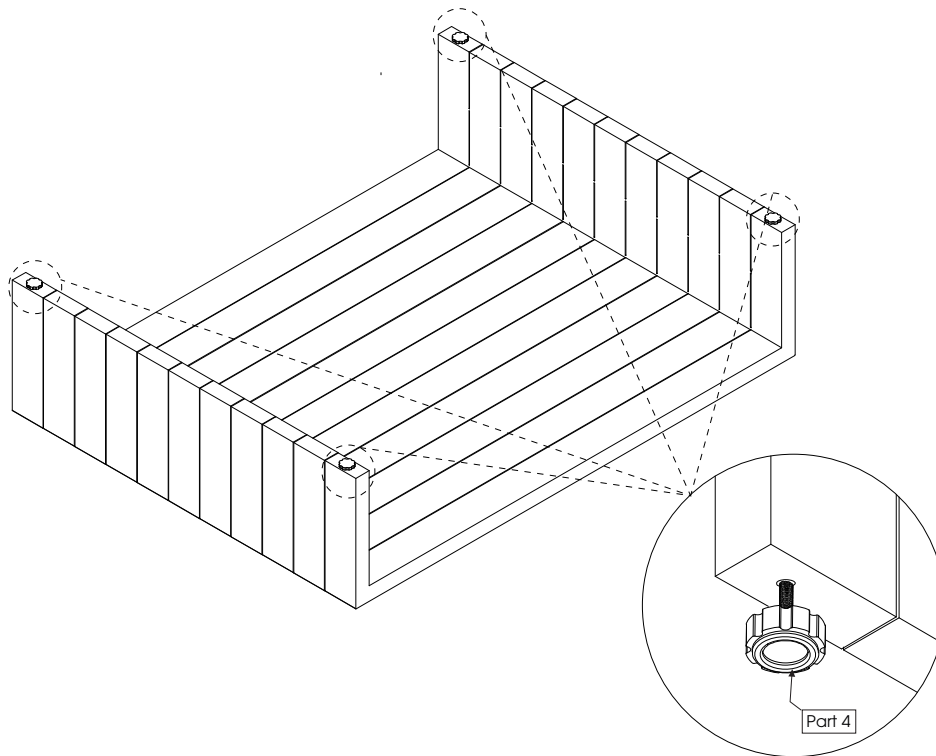
Part 1 x 4
Adjustment button \varnothing 30mm



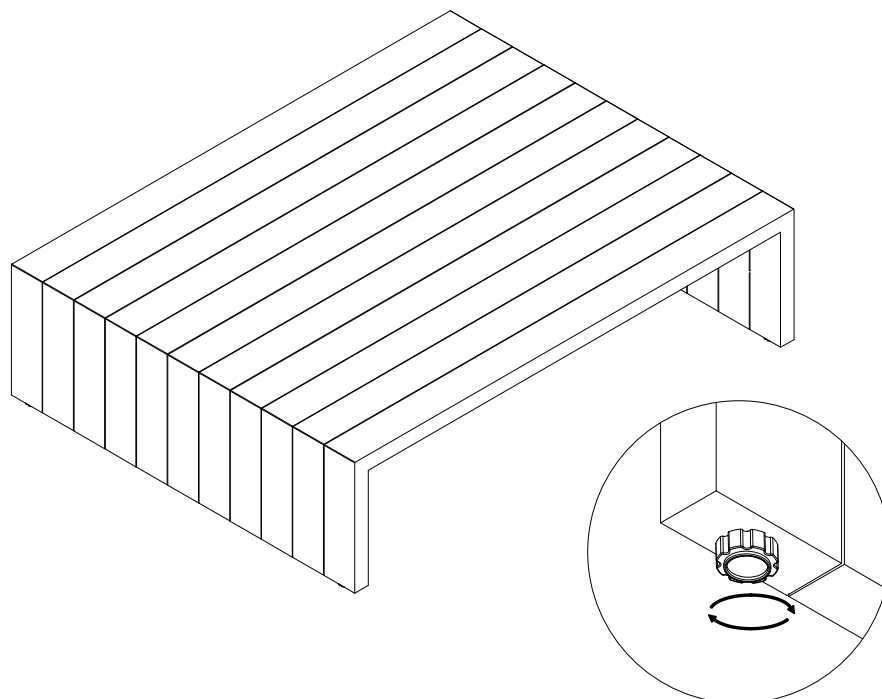
Talbot Coffee Table 90x111cm Black

24660532

Step 1.



Finished.



use adjusters at base of the feet if ground is uneven.