

Thank you for purchasing the Fraser Bed. Before you begin to assemble your new piece of furniture, please check to ensure that all hardware and parts have been supplied. This page lists all contents included in the carton(s).

Follow instructions closely as deviation from them may present a possible safety risk and may void your warranty.

It is recommended that assembly is done on a soft surface such as carpet to avoid any damage.

If you experience any problems with your new purchase please contact Freedom Customer Service via [www.freedom.com.au](http://www.freedom.com.au) (AUS) and [www.freedomfurniture.co.nz](http://www.freedomfurniture.co.nz) (NZ)

## Care Information

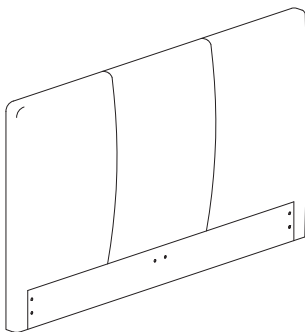
### DO

- Vacuum regularly with a soft upholstery attachment. Dirt combined with body moisture can produce a grime discolouration to the fabric. Vacuuming will also remove grit that can also wear away the fabric.
- Follow the upholstery care instructions label attached to the bed.
- Use a professional dry cleaning service at least once a year to keep the fabric looking good. Leave any removable covers on during cleaning to minimise shrinking. Temporary pilling can happen with some fabrics. This isn't considered a fault and can be removed using a de-piling machine.

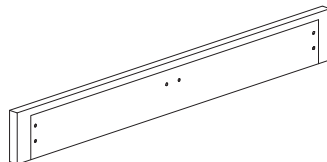
### DON'T

- Don't place the fabric in direct sunlight or near heaters as they can fade and damage the fabric. Use curtains and blinds to protect your furniture from direct sunlight through windows.
- Don't pull loose threads, cut them instead.

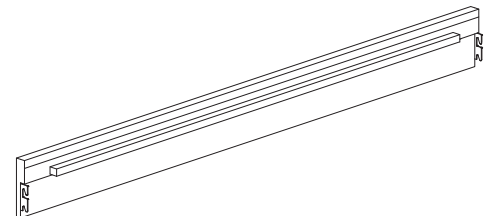
## PARTS.



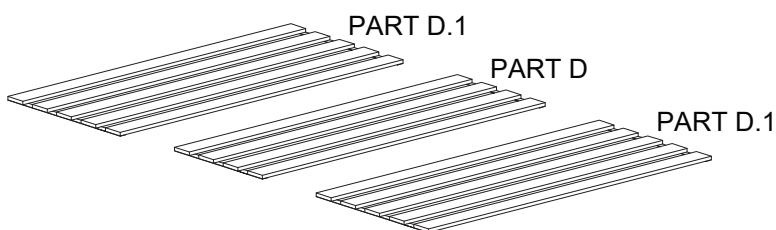
HEADBOARD  
1 x Part A



FOOTBOARD  
1 x Part B

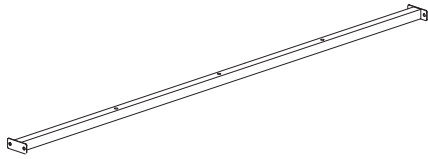


SIDE RAIL R/L  
2 x Part C



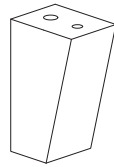
SLAT  
1 x Part D  
2 x Part D.1

## PARTS.



CENTER RAIL  
**1 x Part M**

(R 07138)



WOOD LEG  
**4 x Part U**

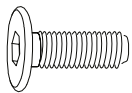
(R 07124)



SUPPORT LEG  
**1 x Part V**

(R 03608)

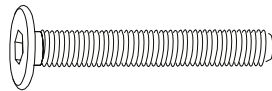
## HARDWARE.



M8 x 30mm  
(Pre-attached on Headboard  
& Footboard)

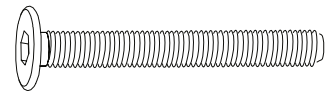
**12 x Part Z**

(R 02484)



M8 x 60mm  
**1 x Part AB**

(R 03559)



M8 x 80mm  
**4 x Part AR**

(R 06423)



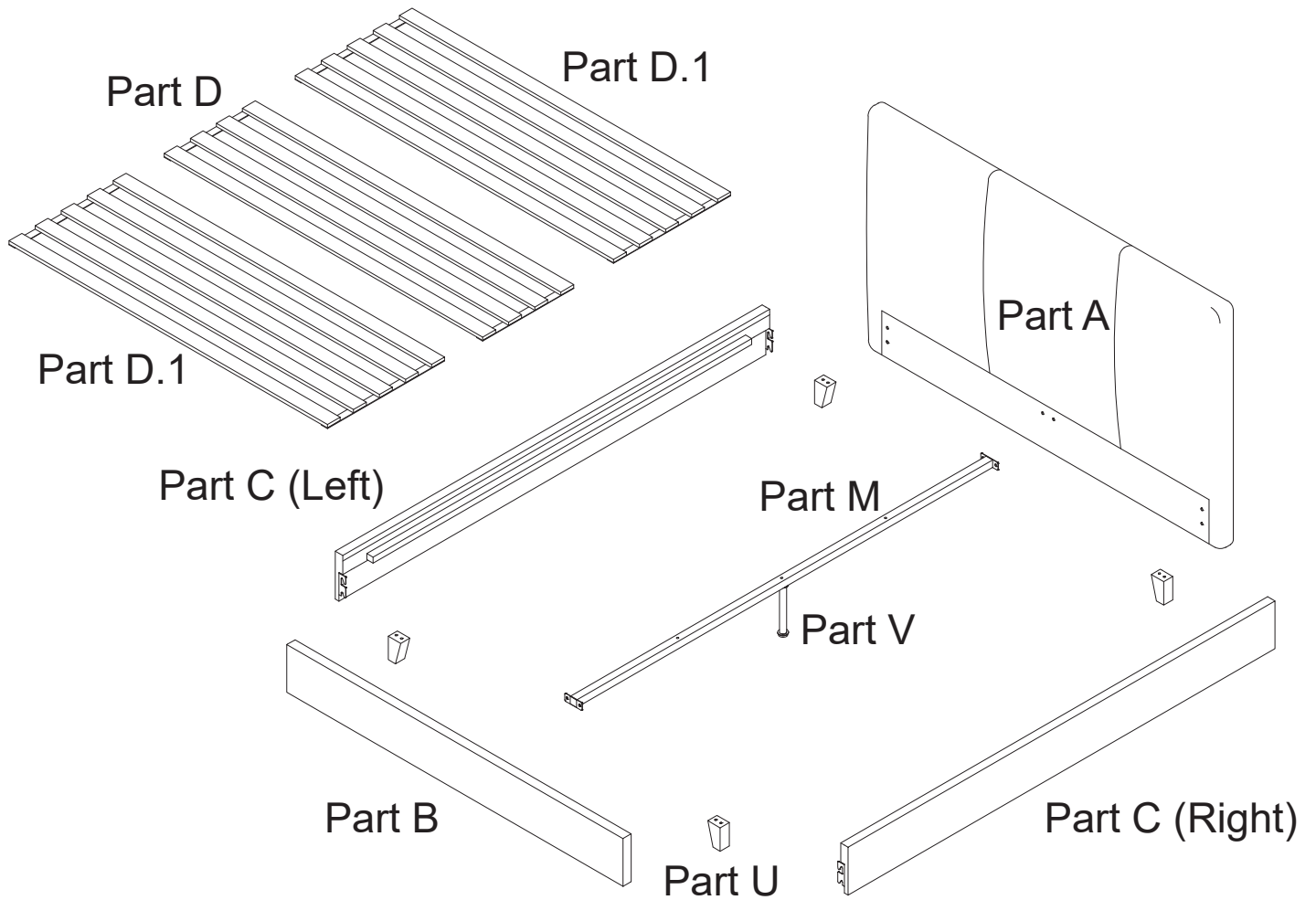
DOWEL M8  
**4 x Part AV**

(R 03176)

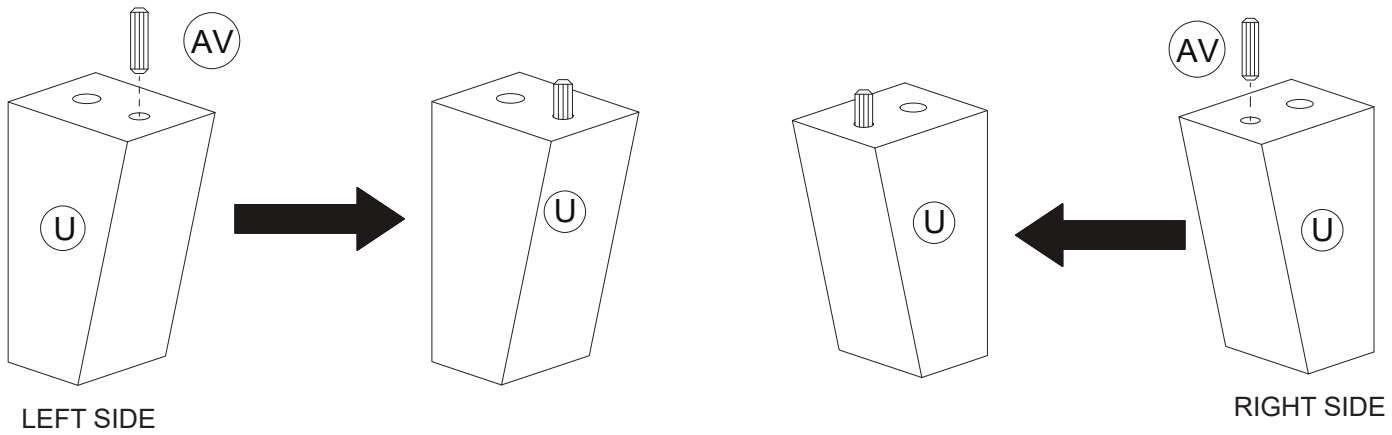


ALLEN KEY M8  
**1 x Part AO**

(R 02490)

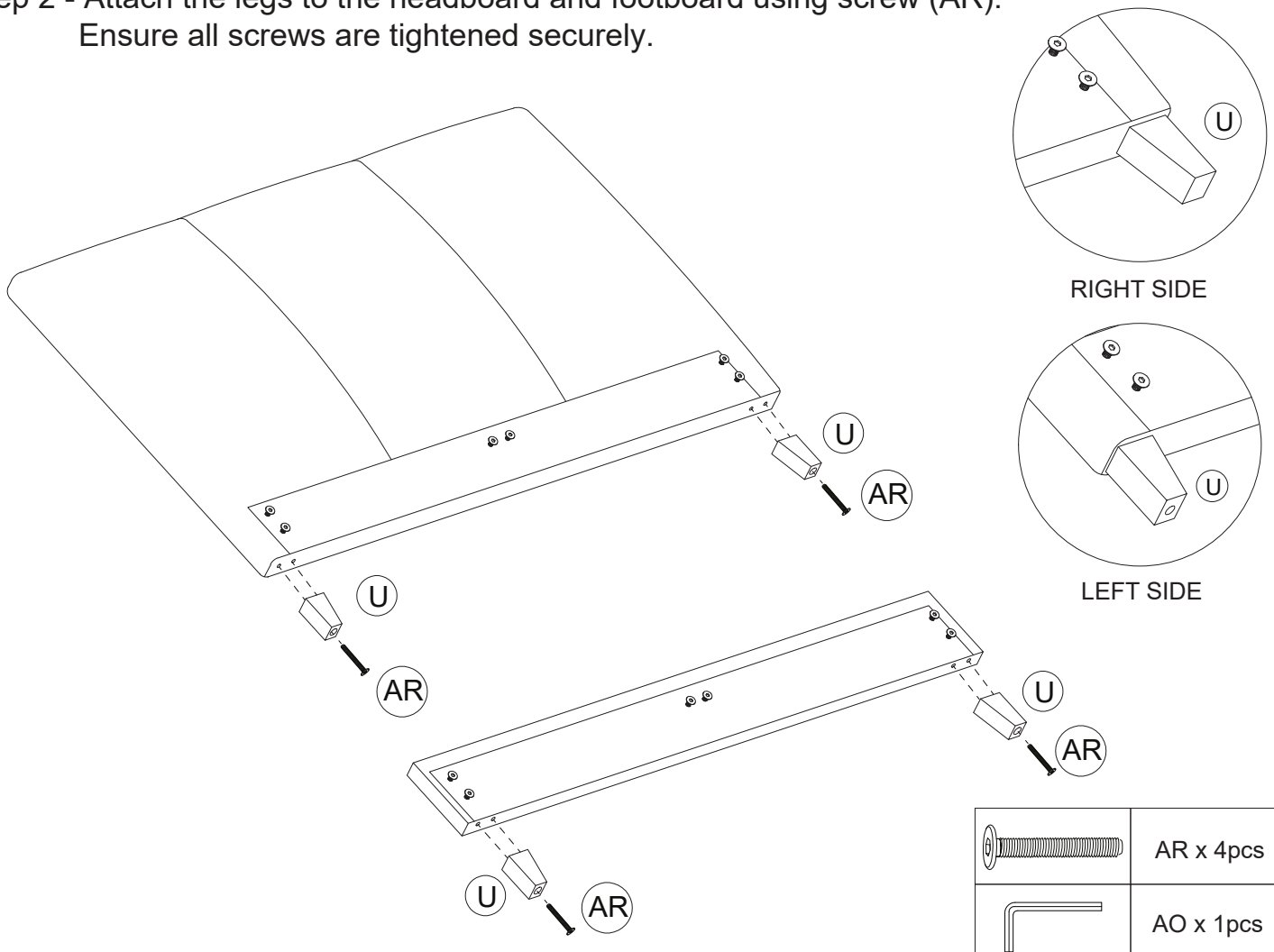




Step 1 - Insert dowels (AV) into the designated holes on each leg.



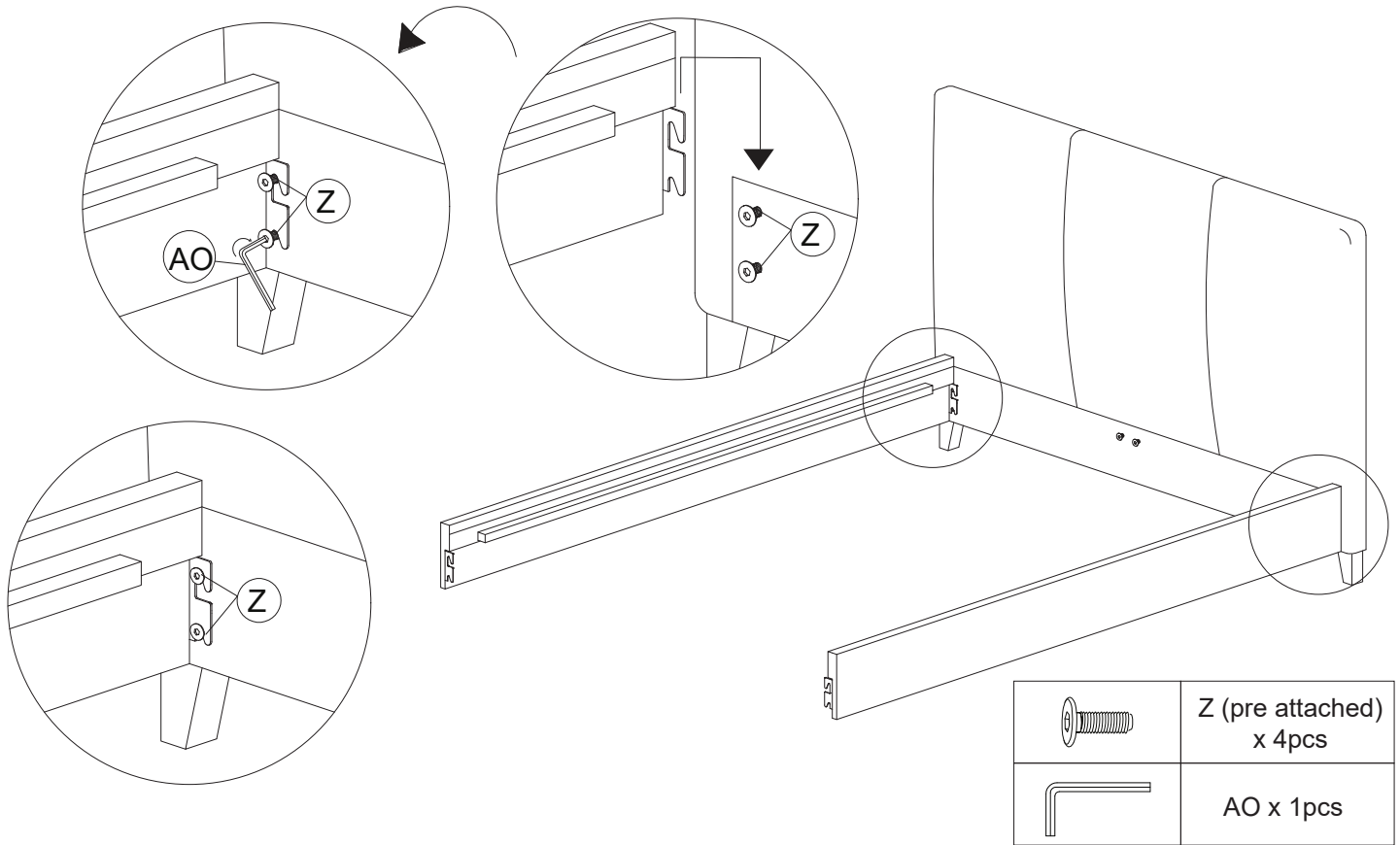
	AV x 4pcs
---	-----------

Step 2 - Attach the legs to the headboard and footboard using screw (AR).  
Ensure all screws are tightened securely.

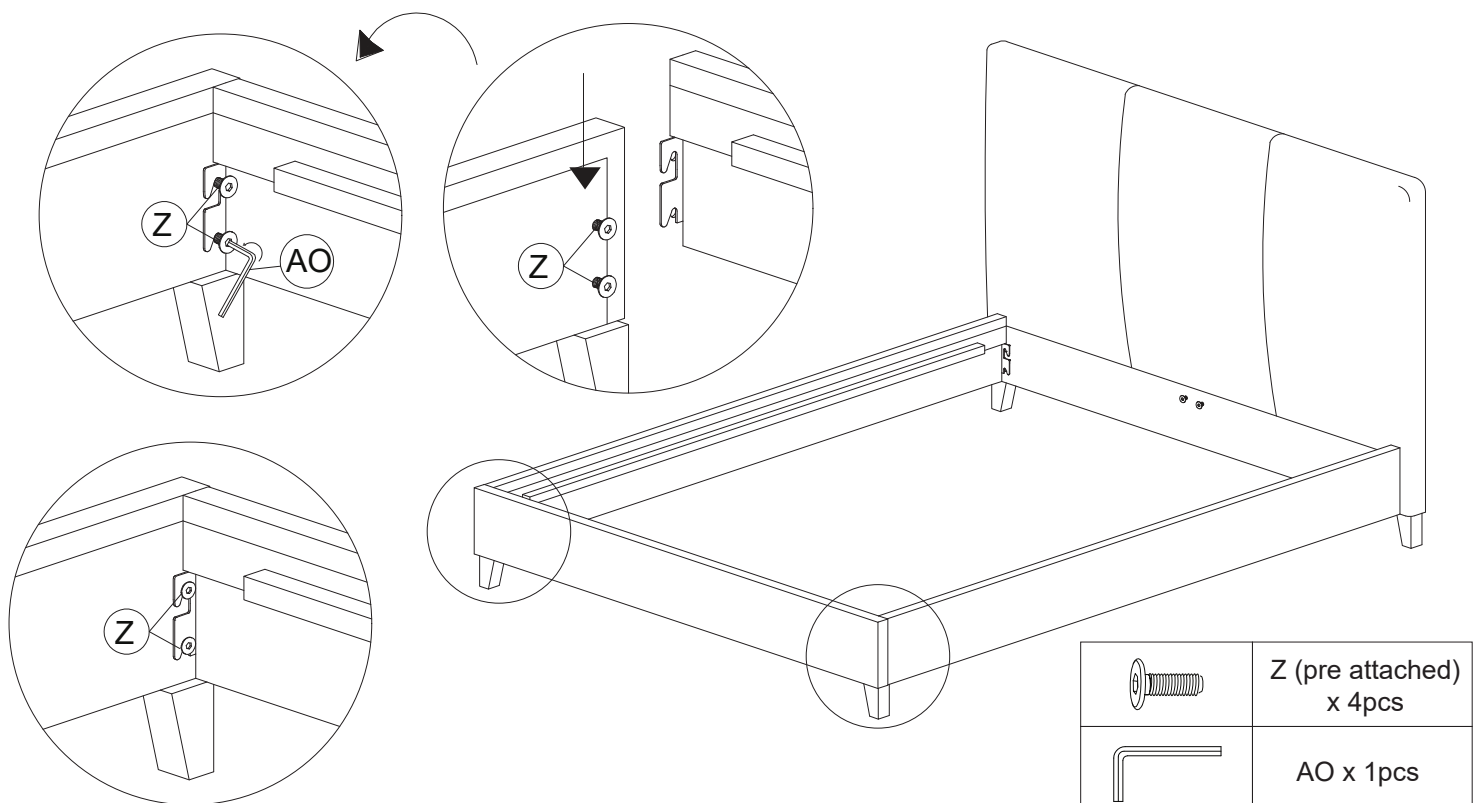


	AR x 4pcs
	AO x 1pcs

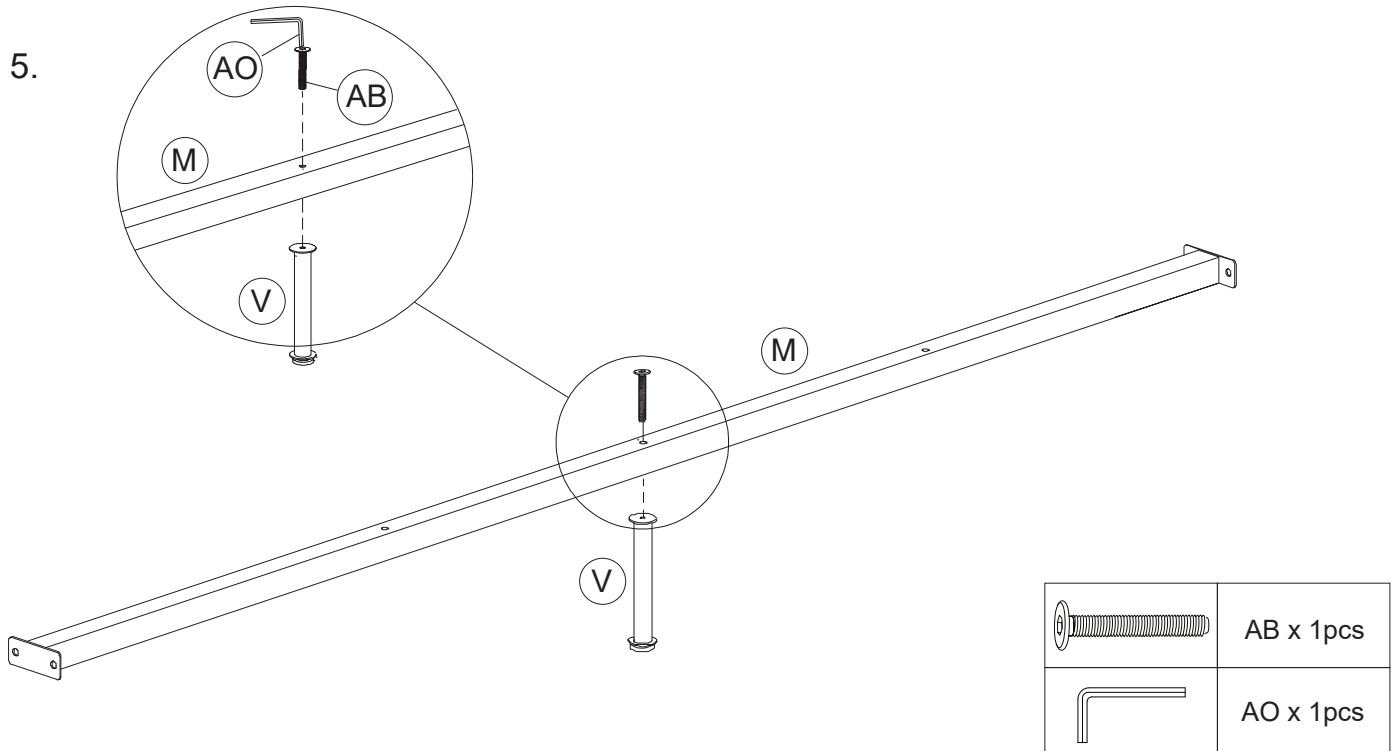
Step 3 - Loosen the pre-installed screws (Z) on the headboard. Position the side rail in place, then re-tighten the screws (Z) to securely fasten the side rail to the headboard.



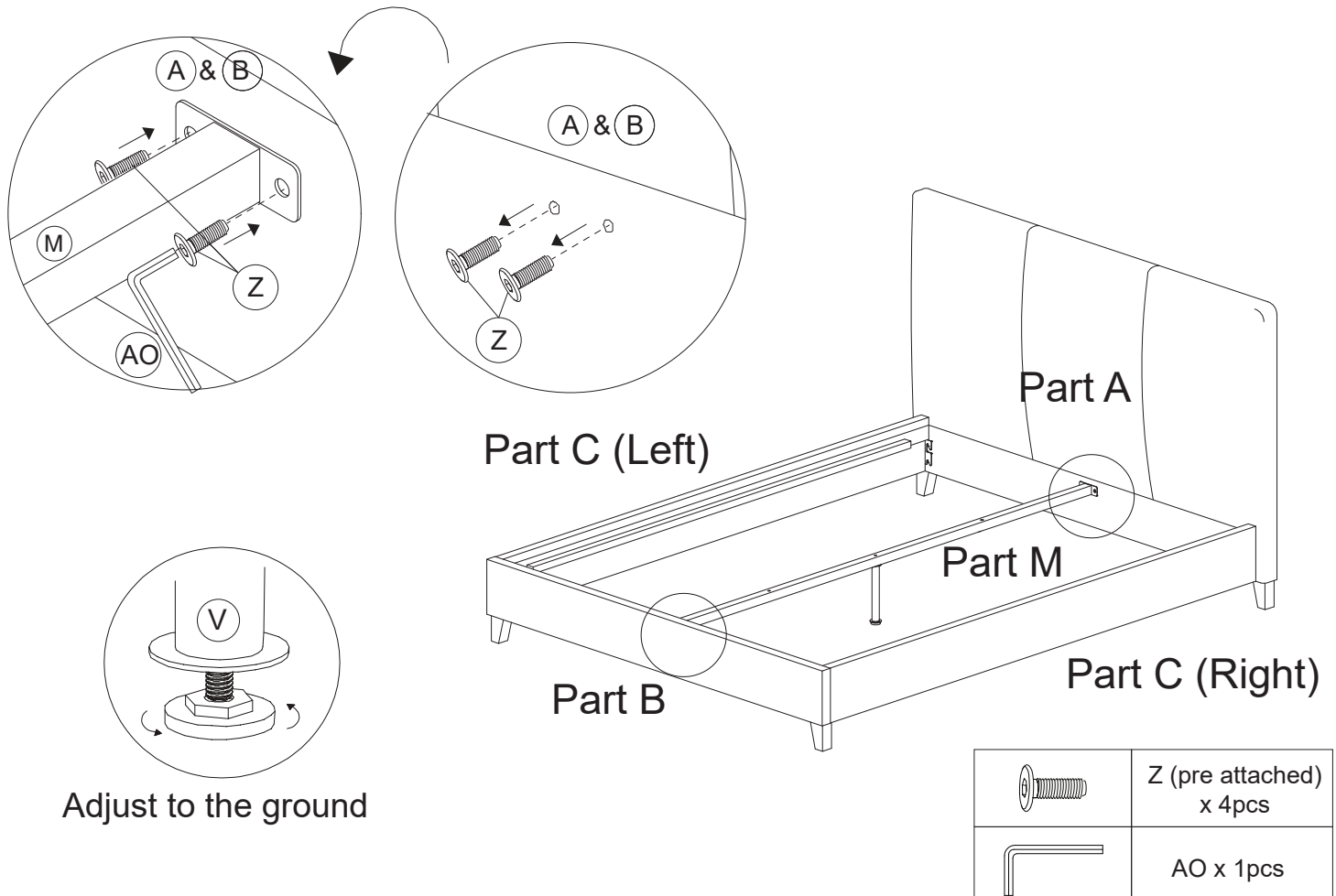
Step 4 - Loosen the pre-installed screws (Z) on the footboard. Position the side rail in place, then re-tighten the screws (Z) to securely fasten the side rail to the footboard.



Step 5.



Step 6 - Remove the pre-installed screws (Z) from the headboard and footboard. Align the centre rail and reattach it using the same screws (Z). Once connected, adjust the base of the support leg so it rests firmly on the ground.



Step 7 - Attach the base slats, ensuring alignment as per the diagram below.

